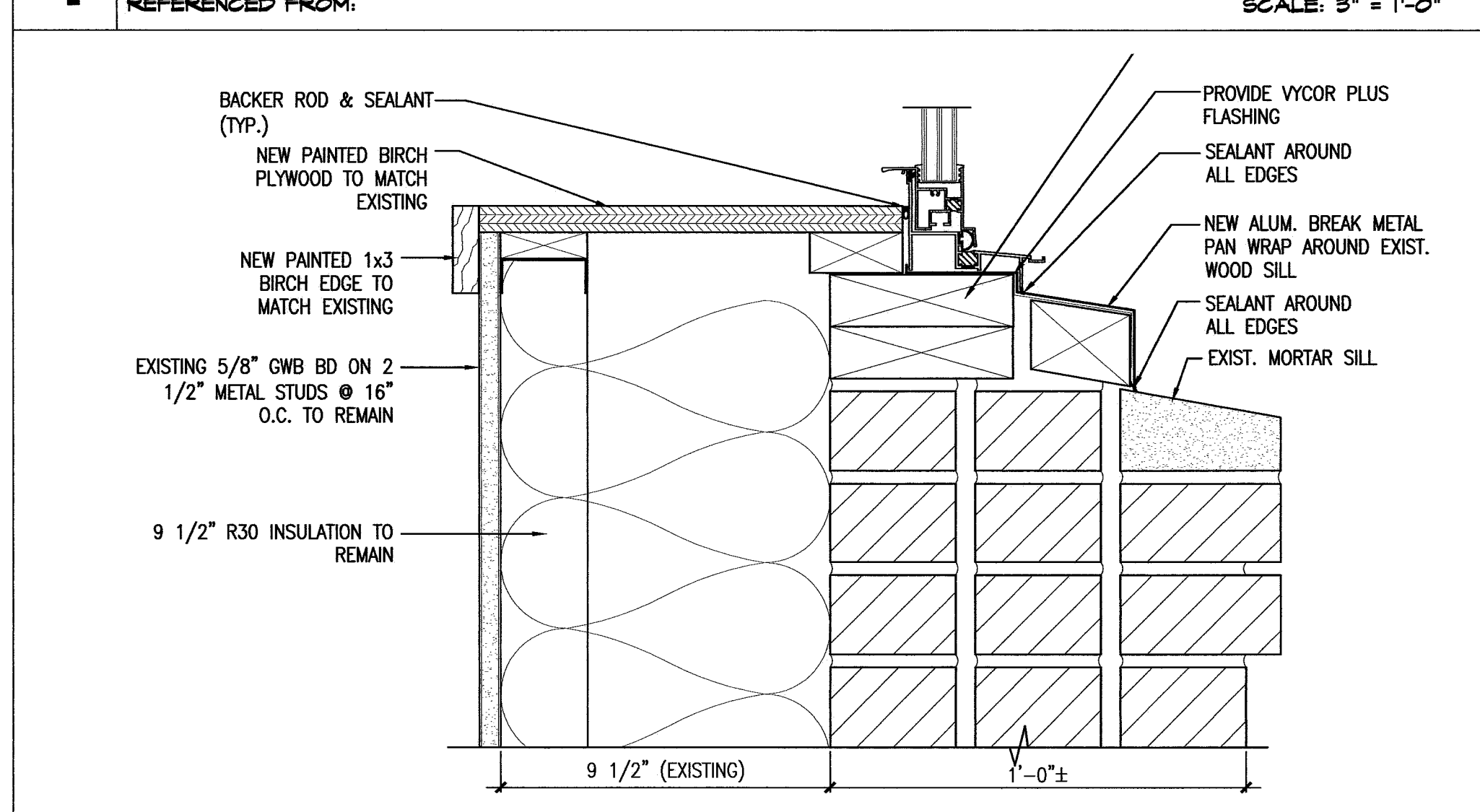
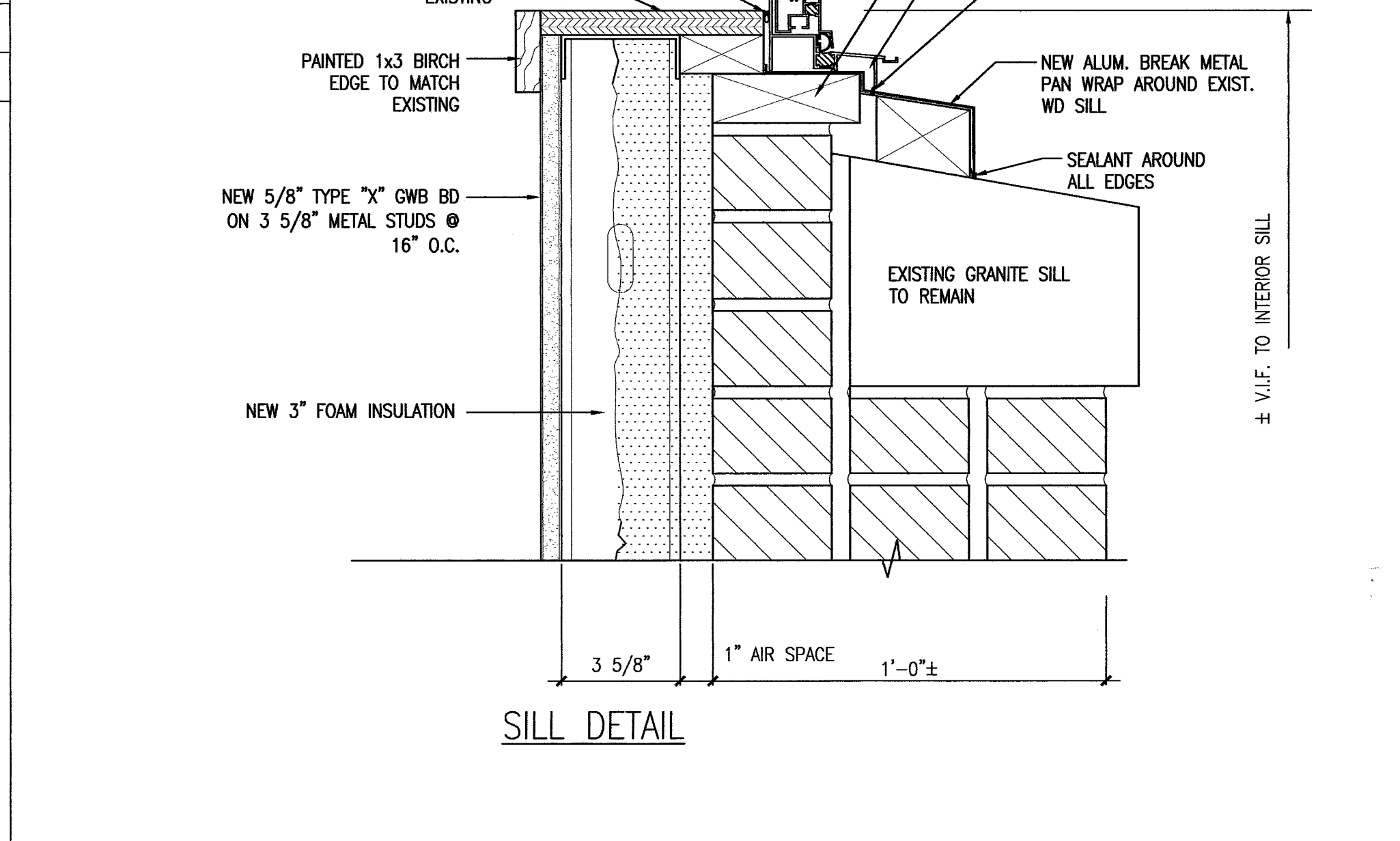
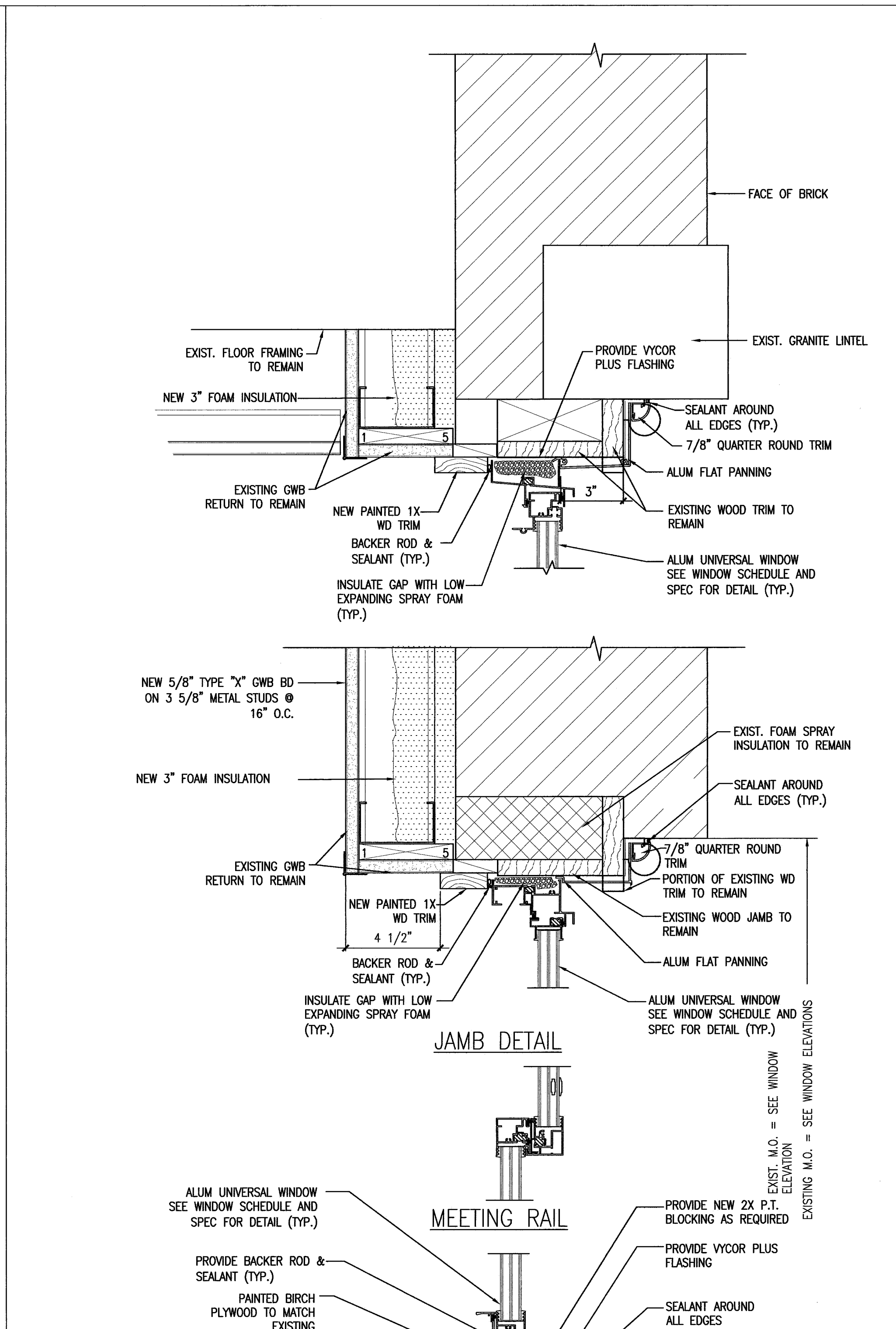


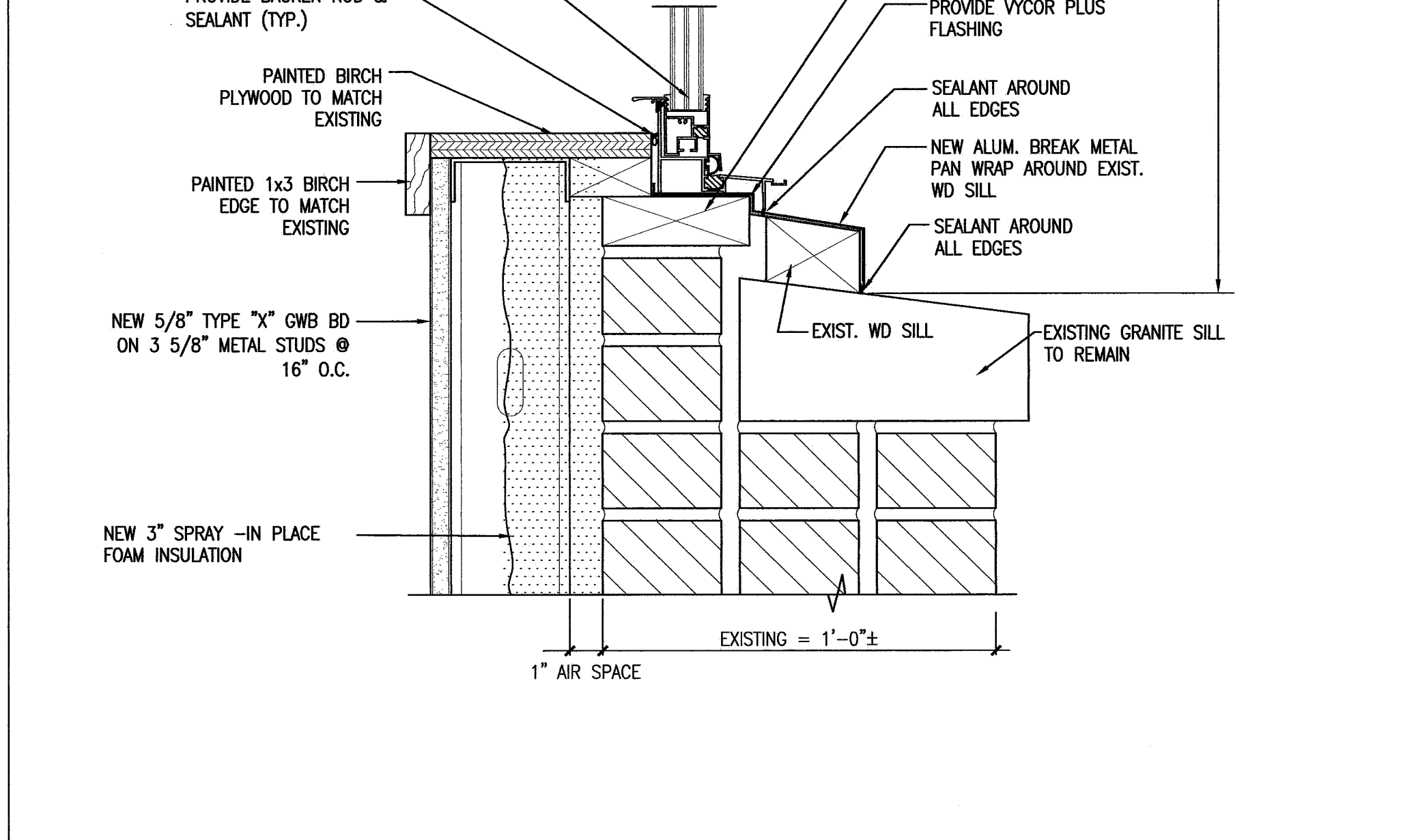
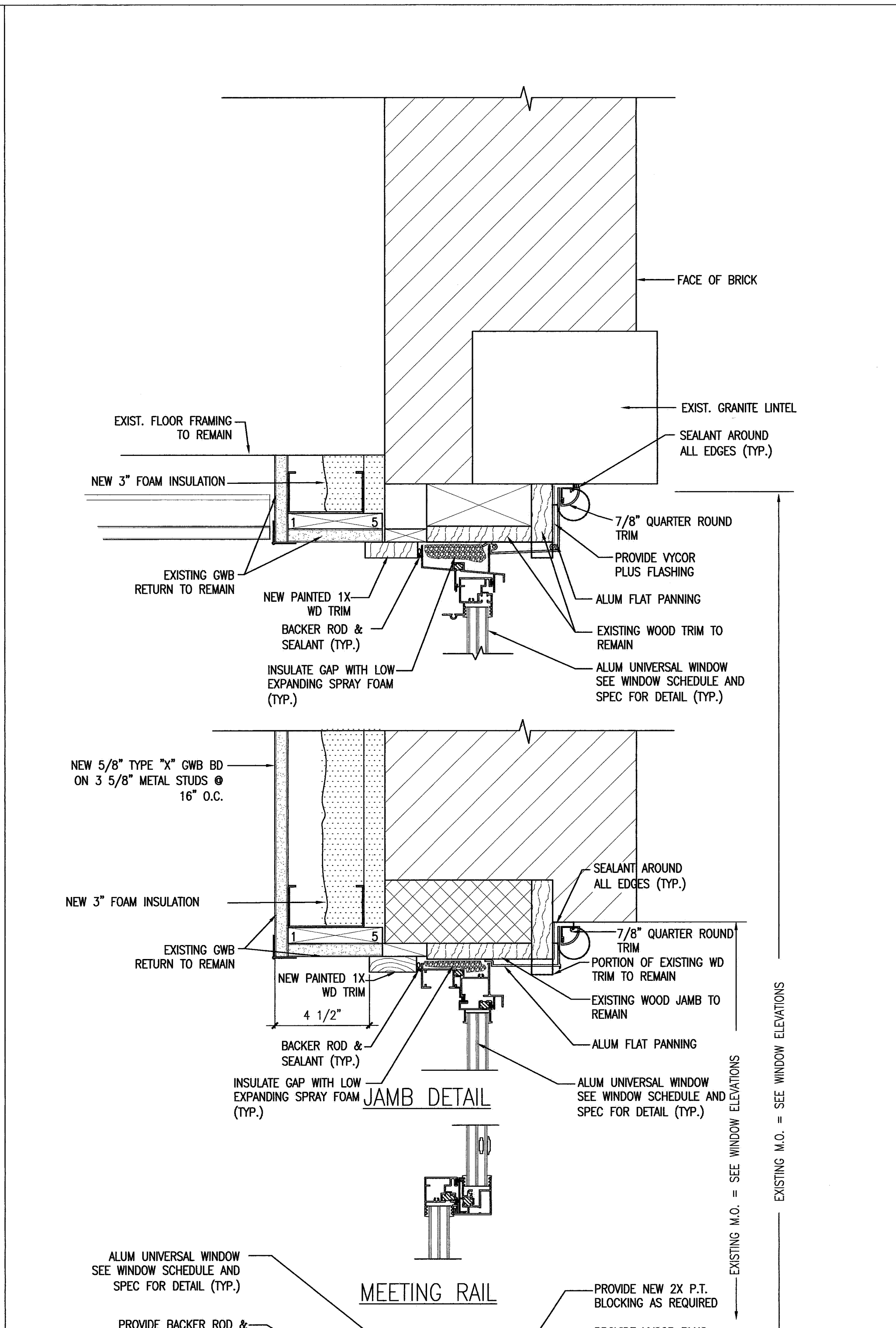
4 NEW WINDOW DETAILS AT CMU WALL
 REFERENCED FROM: SCALE: 3" = 1'-0"



5 NEW WINDOW DETAIL AT CMU WALL WITHOUT GRANITE SILL
 REFERENCED FROM: SCALE: 3" = 1'-0"



6 NEW WINDOW DETAILS AT CMU FURRED OUT WALL
 REFERENCED FROM: SCALE: 3" = 1'-0"



7 NEW WINDOW DETAILS AT CMU WALL W/ STEEL LINTEL
 REFERENCED FROM: SCALE: 3" = 1'-0"

CWS Architects
 Architecture
 Space Planning
 Value Design

434 Cumberland Avenue
 Portland, ME 04101
 Phone: (207)774-4441
 Fax: (207)774-4016
 www.CWSarch.com

REGISTERED ARCHITECT
 BENEDICT
 WALTER
 NO. 1947
 STATE OF MAINE

Owner:
Avesta Munjoy Commons, LP.
 307 Cumberland Ave.
 Portland, Maine 04101
 TEL. 207-553-7780

Client:

Munjoy Commons Apartments
 Portland, Maine

Project No: 07429

Drawing Title:
**EMERSON
 NEW
 WINDOW DETAILS**

Scale: 3" = 1'-0"
 Date: August 28, 2009

Revisions:
 △
 △
 △
 △
 △
 △

Drawing Number:
**EMERSON
 A4.1B**