

Owner:  
**Avesta Munjoy Commons, LP.**

307 Cumberland Ave.  
Portland, Maine 04101  
TEL. 207-553-7780

Client:

**Munjoy Commons Apartments**

Portland, Maine

Project No: 07429

Drawing Title:

**EMERSON  
BSMNT. REFLECTED  
CEILING PLAN**

Scale: 3/16" = 1'-0"

Date: August 28, 2009

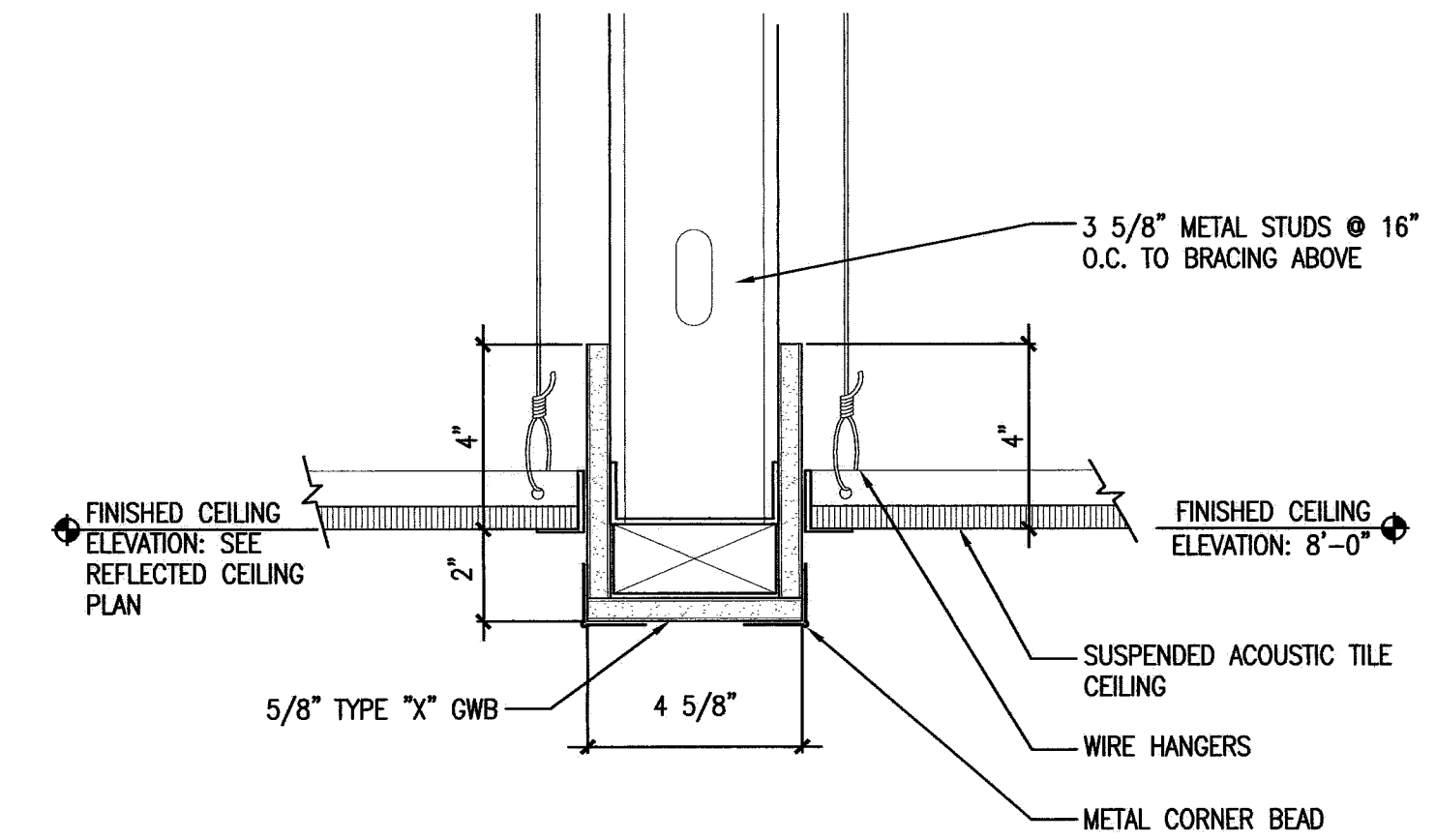
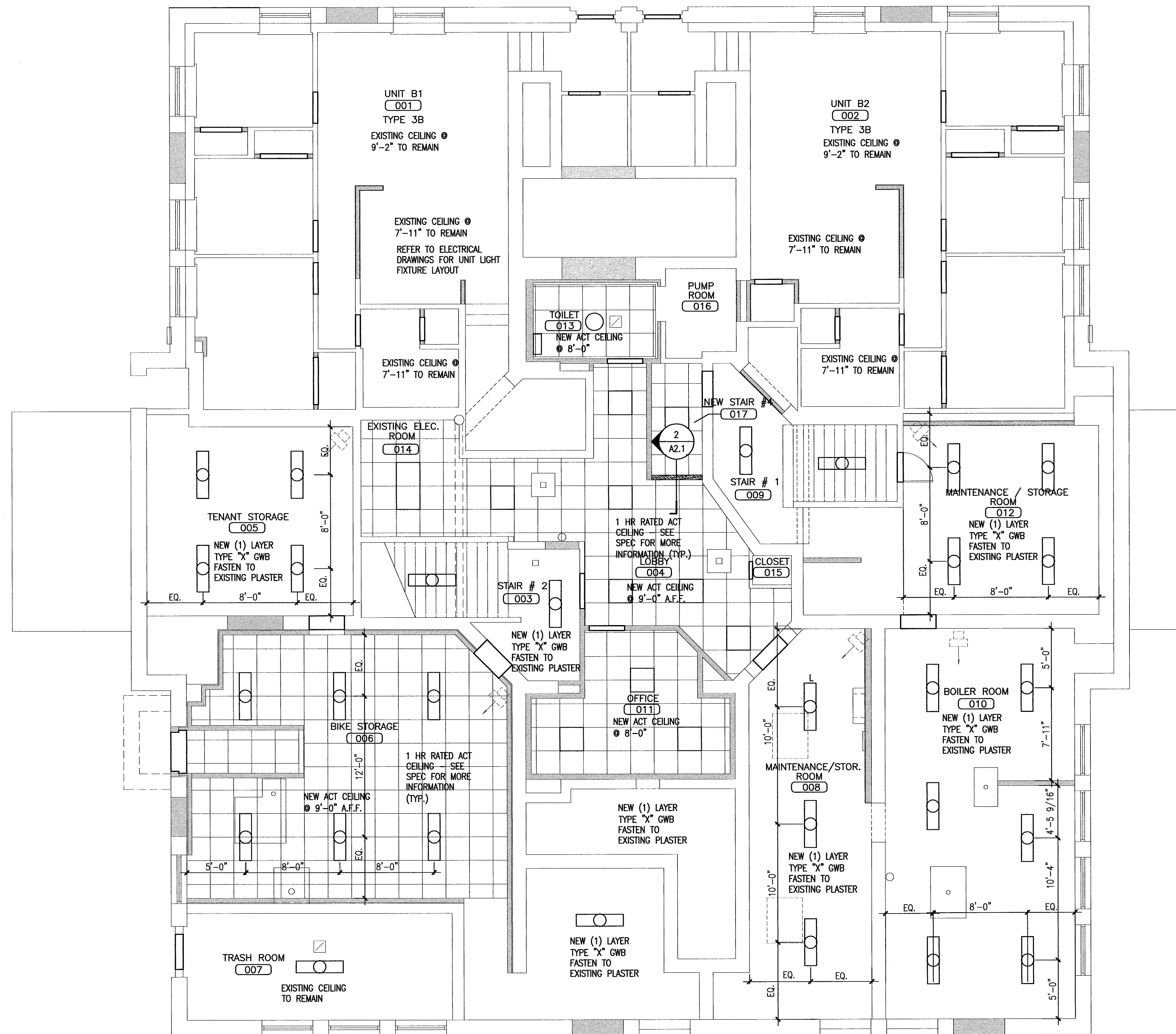
Revisions:

- △
- △
- △
- △
- △
- △

Drawing Number:

**EMERSON  
A2.1**

REFER TO ELECTRICAL DRAWINGS FOR  
EXTERIOR AND INTERIOR LIGHTING FIXTURE  
TYPES AND LOCATIONS



**2 CEILING SOFFIT**  
REFERENCED FROM:

SCALE: 3" = 1'-0"

**3**  
REFERENCED FROM:

SCALE:

**4**  
REFERENCED FROM:

SCALE:

**1 BASEMENT REFLECTED CEILING PLAN**  
REFERENCED FROM:

SCALE: 3/16" = 1'-0"