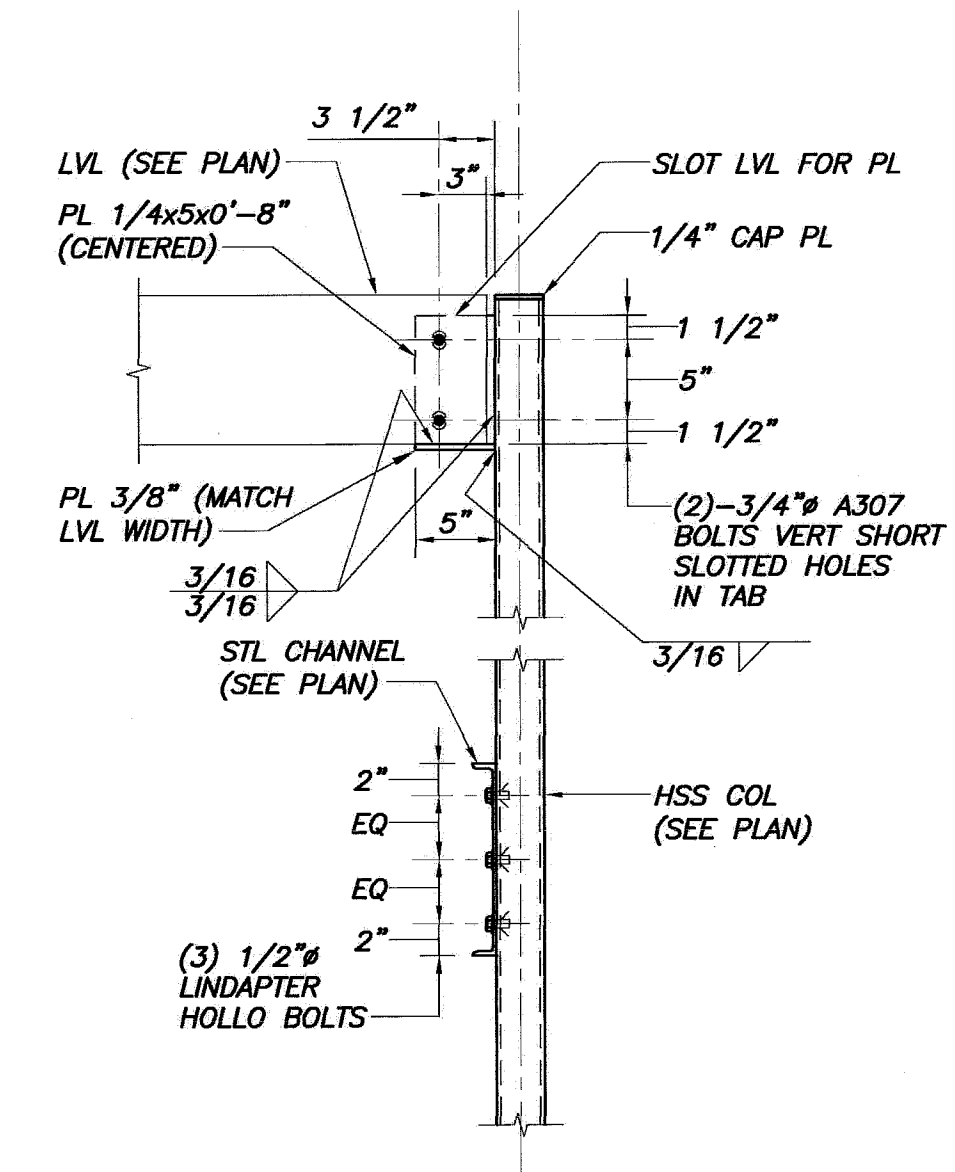
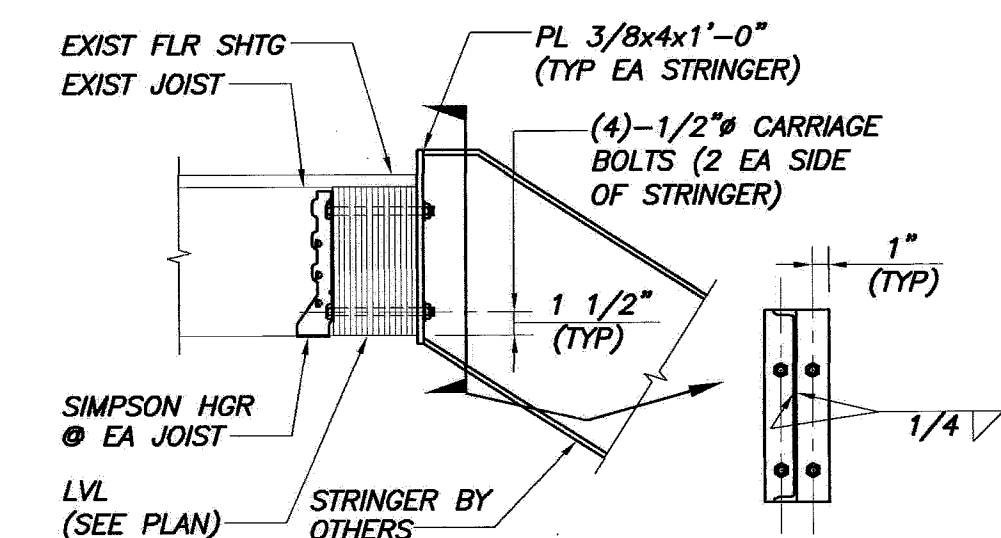


FOURTH FLOOR FRAMING PLAN
3/32"=1'-0"



SECTION 6
1"=1'-0"



SECTION 7
1"=1'-0"

CWS

CWS Architects

Architecture
Space Planning
Value Design

434 Cumberland Avenue
Portland, ME 04101
Phone: (207)774-4441
Fax: (207)774-4016

www.CWSarch.com

STATE OF MAINE
PAUL B. BECKER
NO. 6564
LICENSED

Owner:
Avesta Munjoy Commons, LP.

307 Cumberland Ave.
Portland, Maine 04101
TEL. 207-553-7780

Client:

Munjoy Commons Apartments

Portland, Maine

BECKER
structural engineers, Inc.

75 York Street
Portland, ME 04101-4701
Tel: 207-859-8888
Fax: 207-859-8882
www.beckerse.com

Project No: 07429

Drawing Title:
**EMERSON
FOURTH FLOOR
FRAMING PLAN**

Scale: AS NOTED
Date: AUGUST 28, 2009

Revisions:

△
△
△
△
△
△

Drawing Number:
**EMERSON
S1.5**