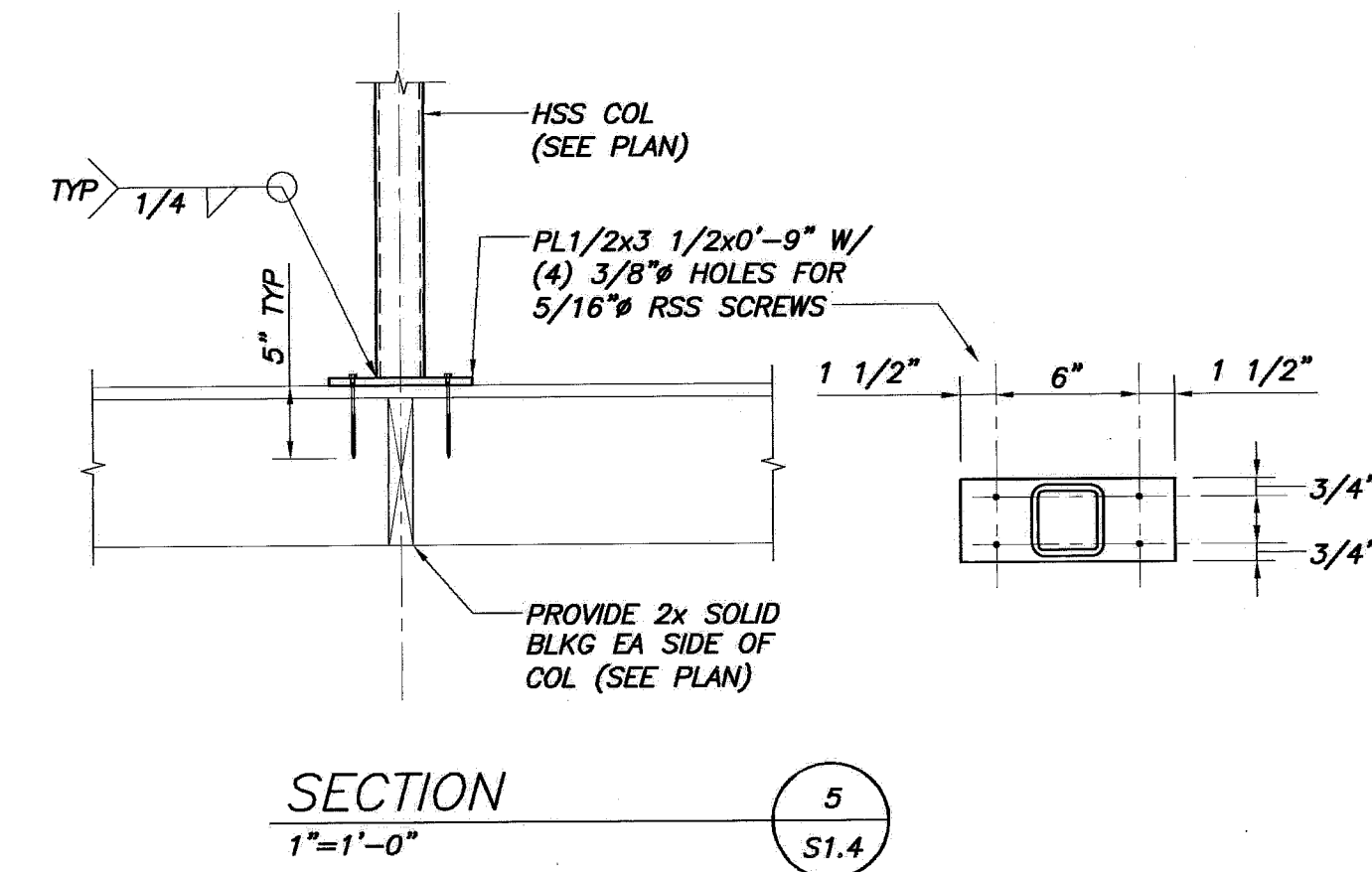
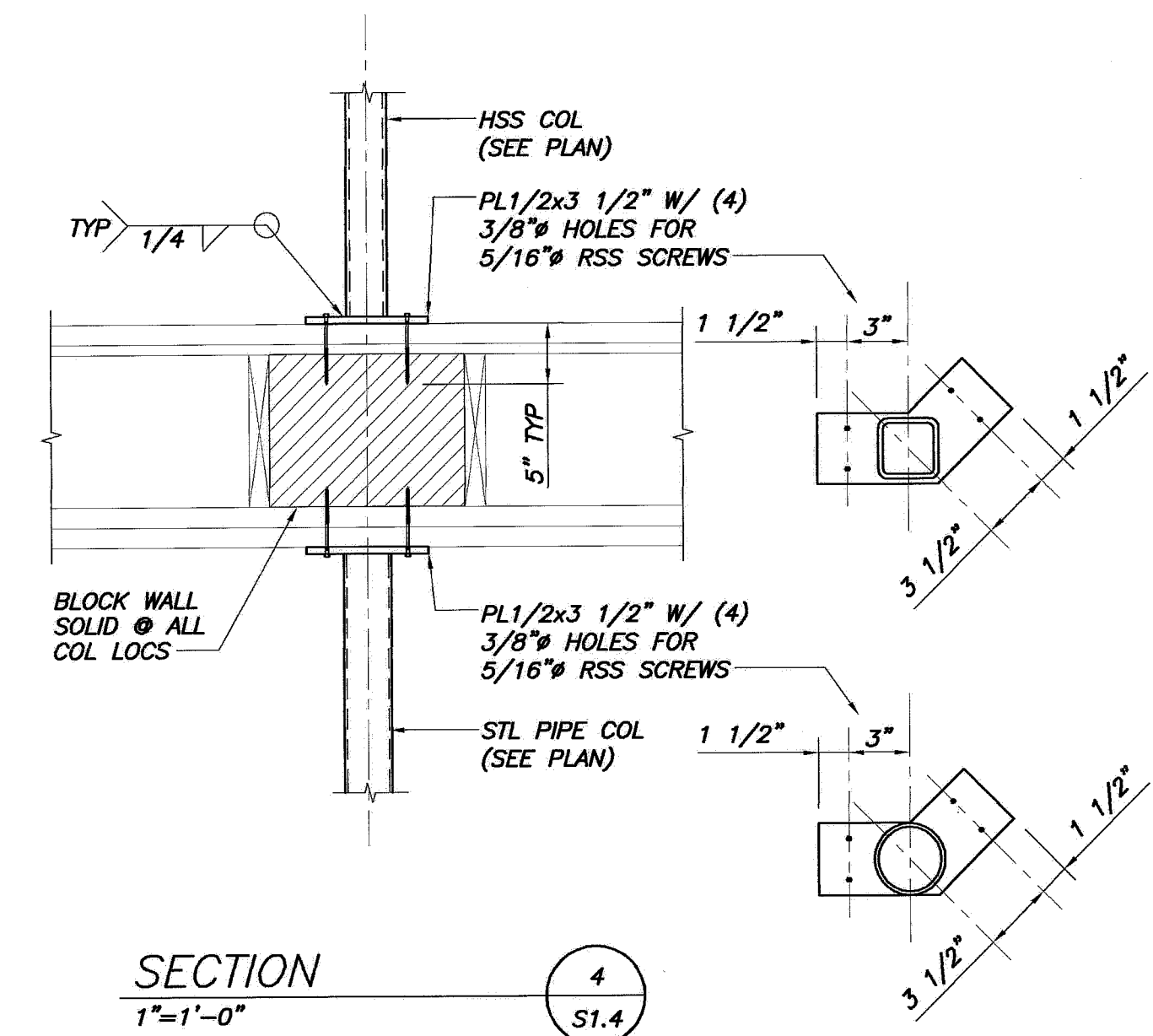


**THIRD FLOOR FRAMING PLAN**

3/32" = 1'-0"

**NOTES:**

1. [Symbol] INDICATES WINDOW INFILL. COORD ALL WINDOW INFILL LOCATIONS W/ ARCH.

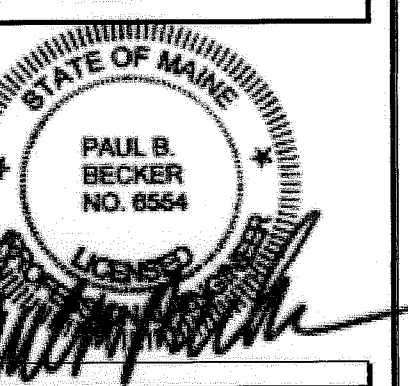


CWS Architects

Architecture  
Space Planning  
Value Design

434 Cumberland Avenue  
Portland, ME 04101  
Phone: (207)774-4441  
Fax: (207)774-4016

www.CWSarch.com



Owner:  
**Avesta Munjoy Commons, LP.**

307 Cumberland Ave.  
Portland, Maine 04101  
TEL. 207-553-7780

Client:

**Munjoy Commons Apartments**

Portland, Maine

**BECKER**  
Structural engineers, Inc.  
75 York Street  
Portland, ME 04103-4301  
Tel: 207-879-3838  
Fax: 207-879-3822  
www.beckereng.com

Project No: 07429

Drawing Title:  
**EMERSON  
THIRD FLOOR  
FRAMING PLAN**

Scale: 3/32" = 1'-0"  
Date: AUGUST 28, 2009

Revisions:

- △
- △
- △
- △
- △
- △

Drawing Number:  
**EMERSON  
S1.4**