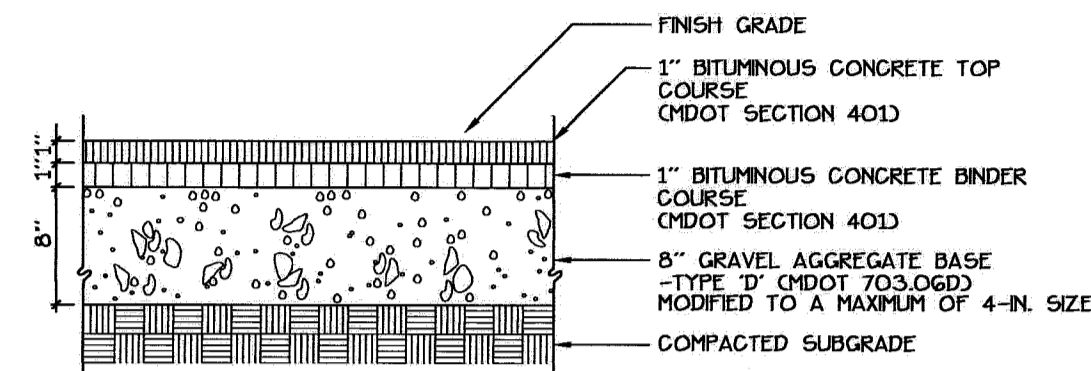
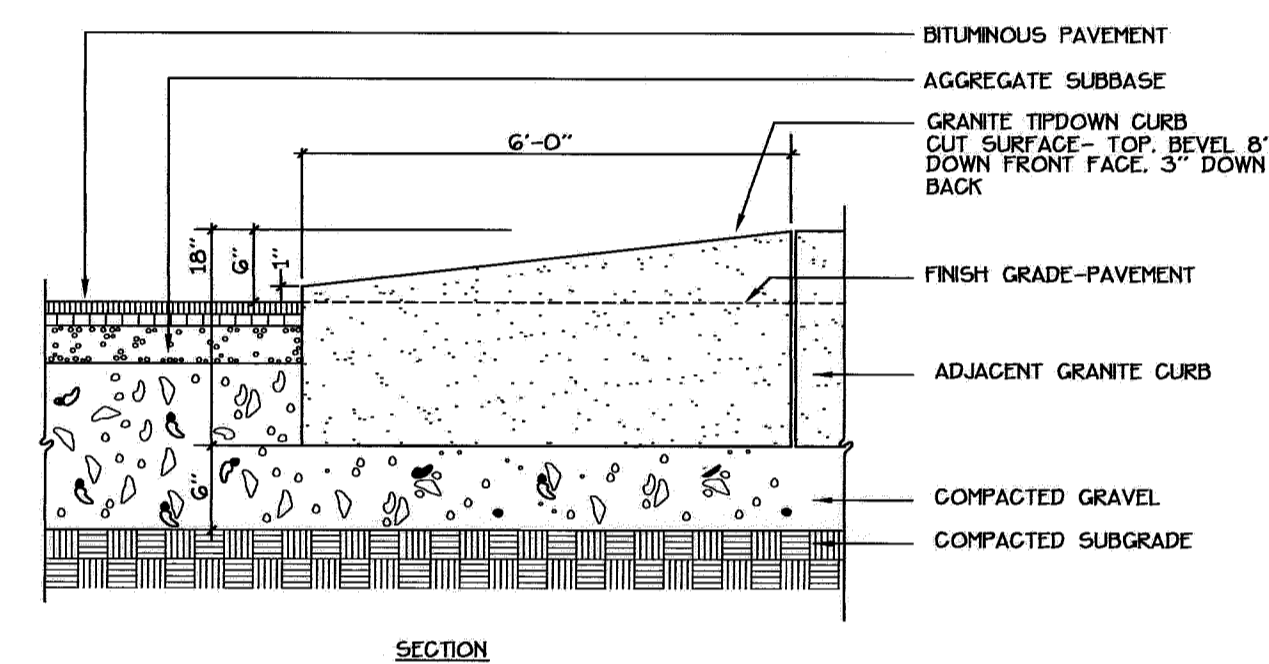


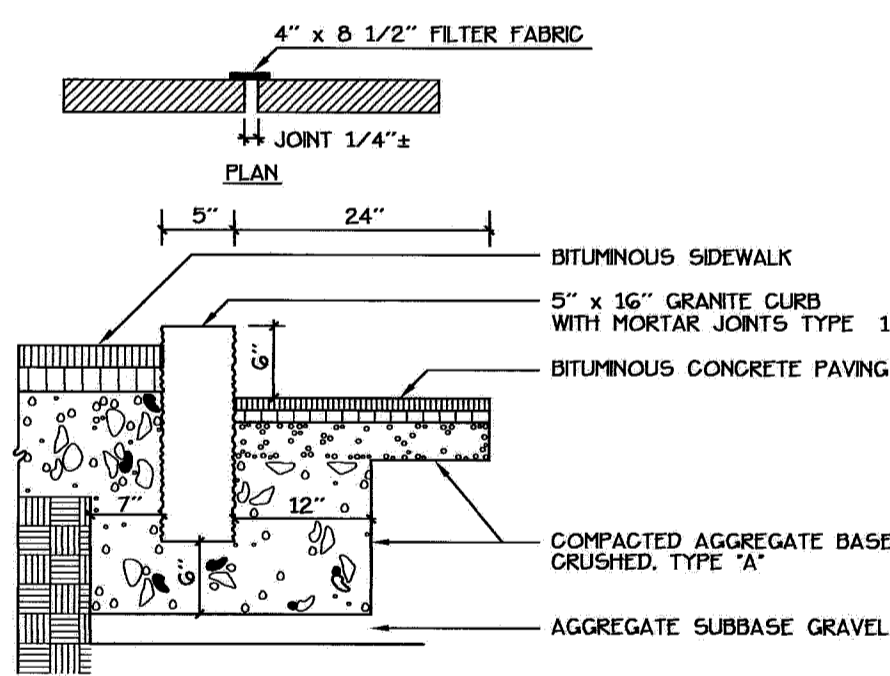
1 BITUMINOUS PAVEMENT- ROADS + PARKING
3 NOT TO SCALE



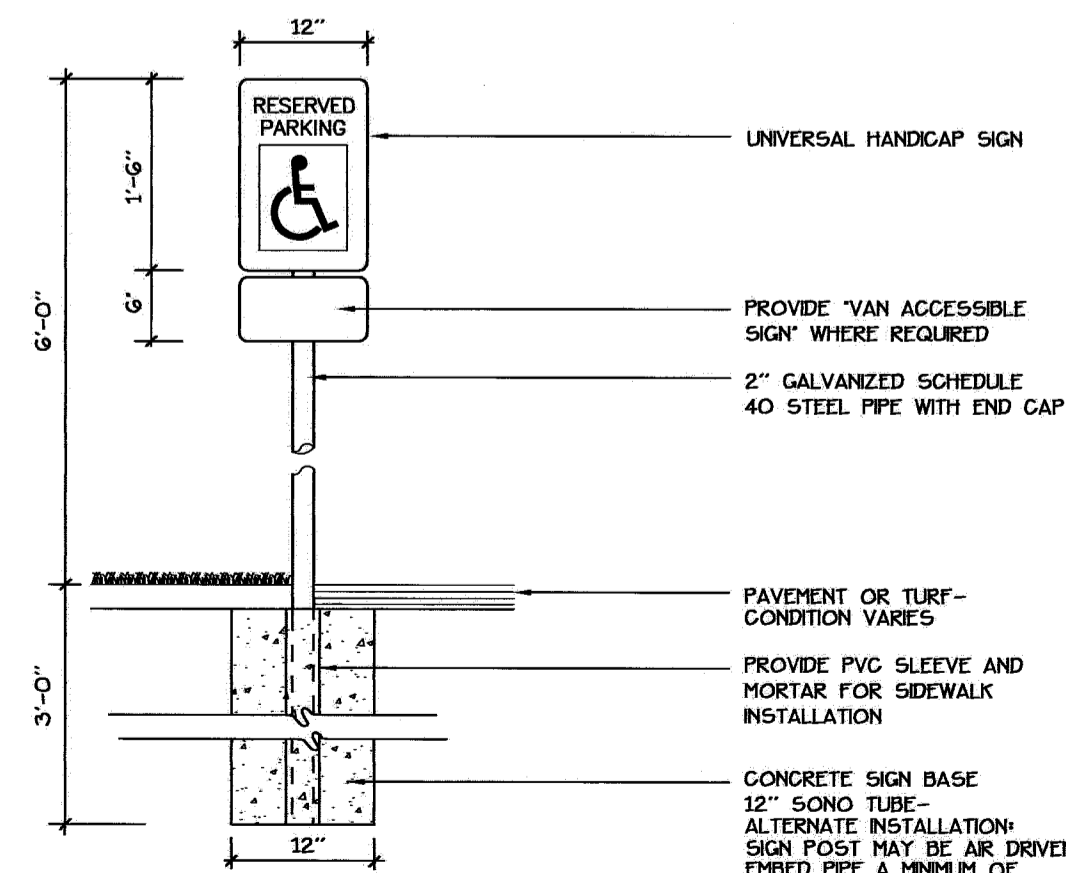
2 BITUMINOUS SIDEWALK
3 NOT TO SCALE



3 GRANITE TIP-DOWN CURB
3 NOT TO SCALE

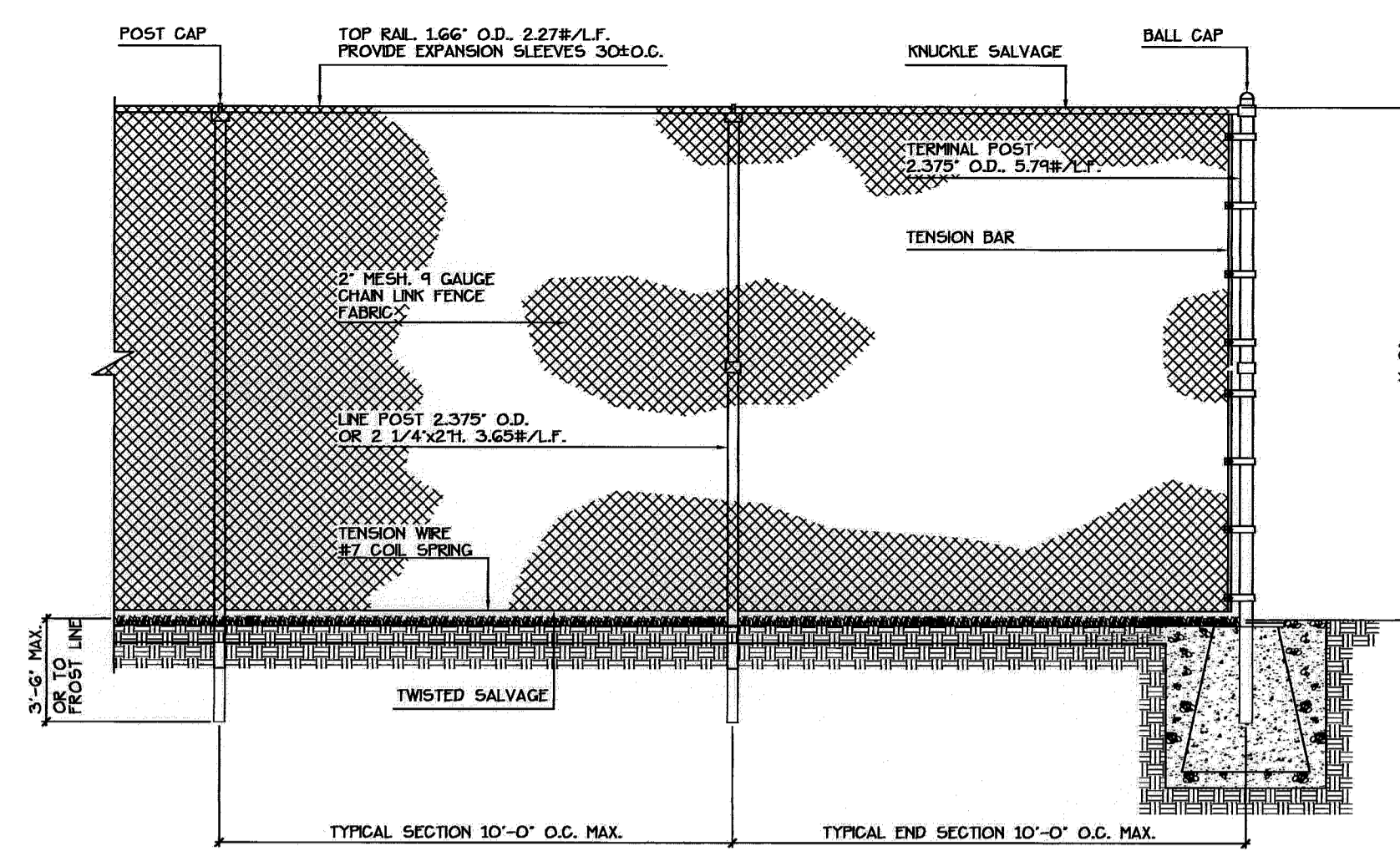


4 VERTICAL GRANITE CURB
3 NOT TO SCALE



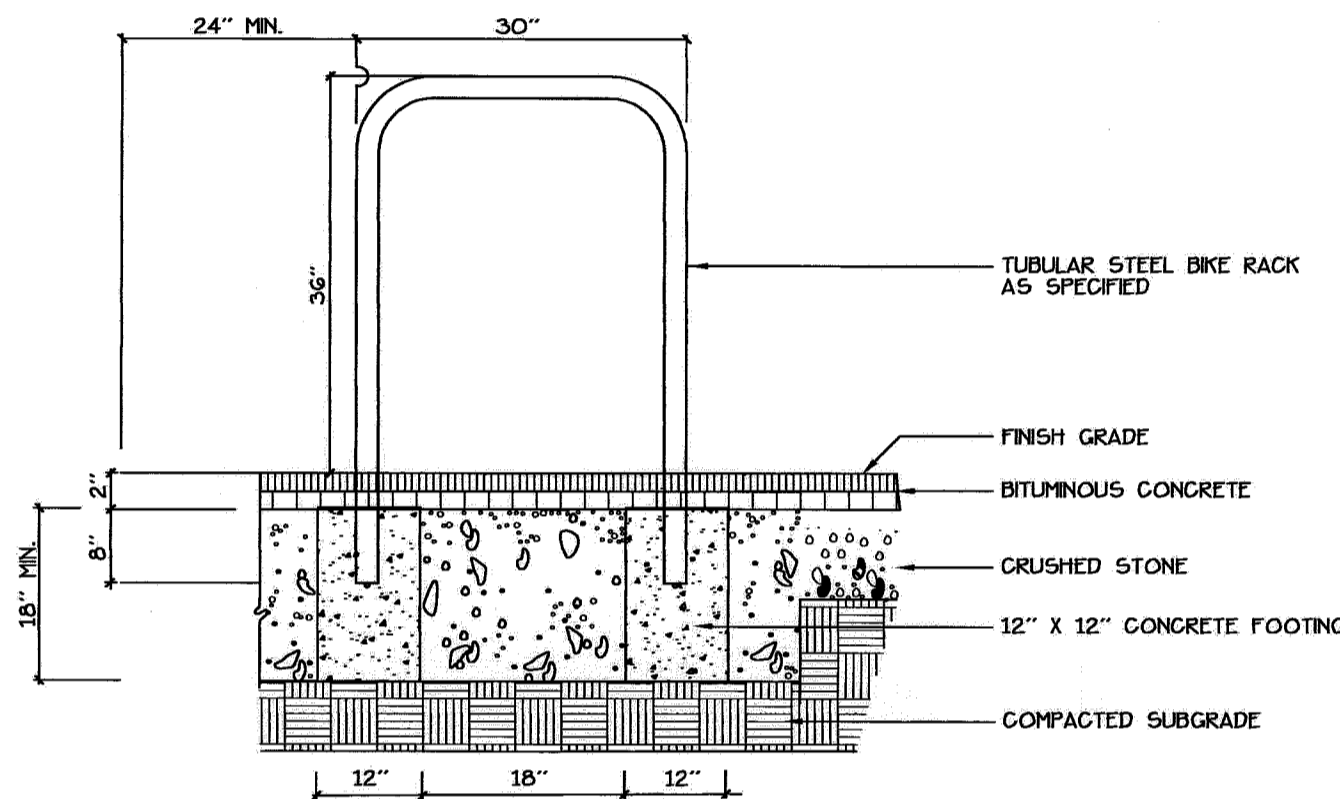
5 HANDICAP PARKING SIGNAGE OR REGULATORY SIGNS
3 NOT TO SCALE

NOTE: ALL REGULATORY SIGNS SHALL CONFORM TO MDOT OR NATIONAL HIGHWAY STANDARDS- SIGN HEIGHT TO BE 6 FT HIGH TO BOTTOM OF SIGN.

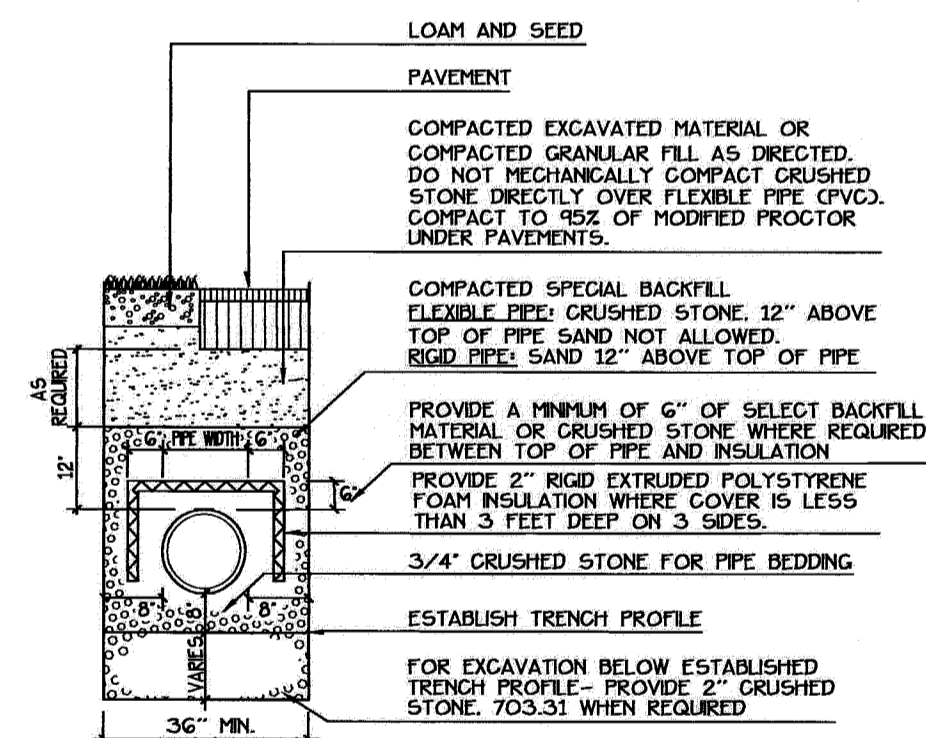


6 ELEVATION OF CHAINLINK FENCE
3 NOT TO SCALE

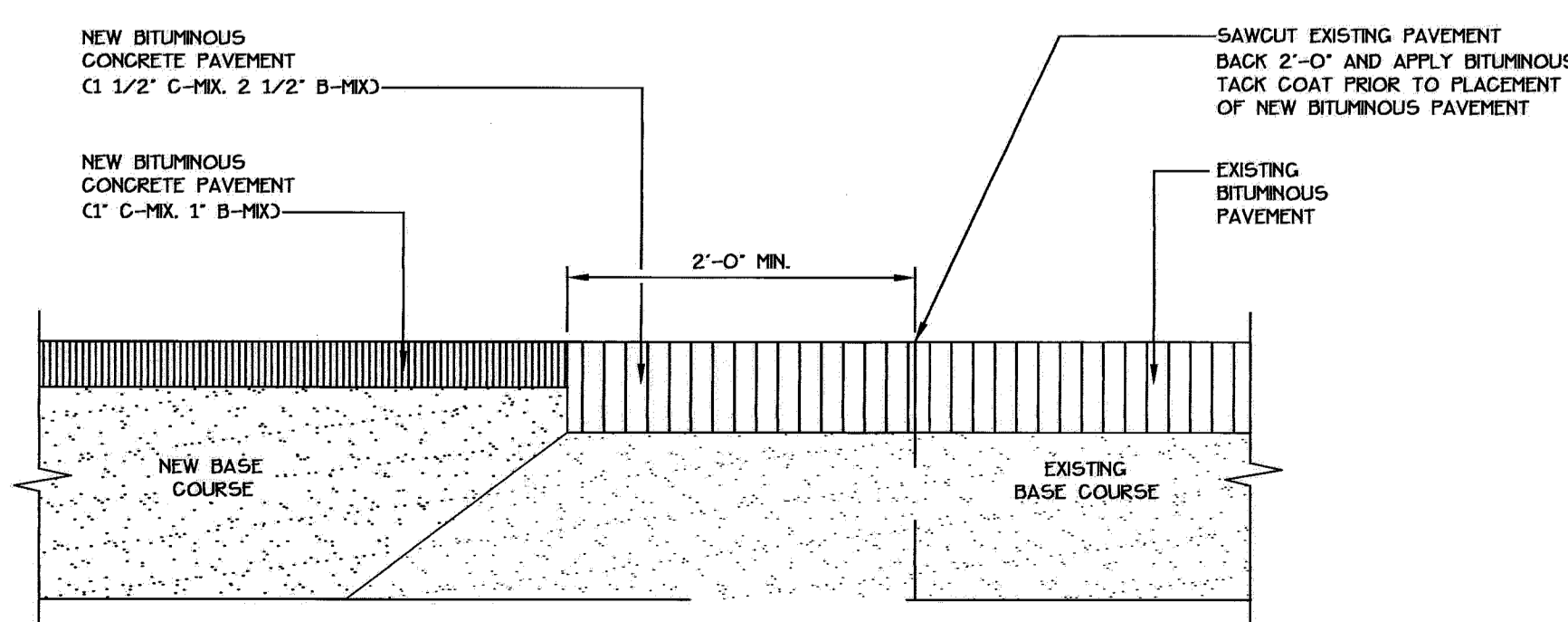
(SEE PROJECT SPECIFICATIONS) NOTE: WHERE FENCE REPLACEMENT OCCURS ON EXISTING CONCRETE WALL CORE AND GROUT POST.



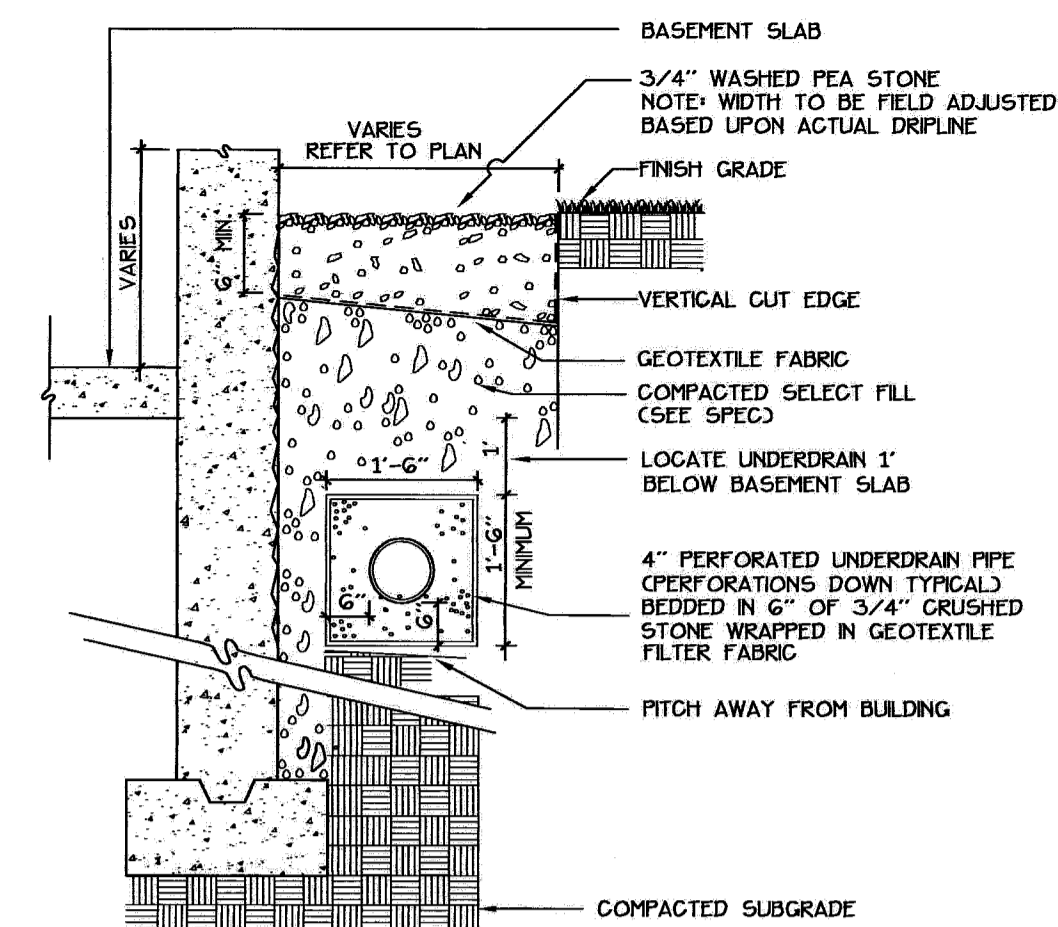
7 GROUND EMBEDDED BIKE RACK
3 NOT TO SCALE



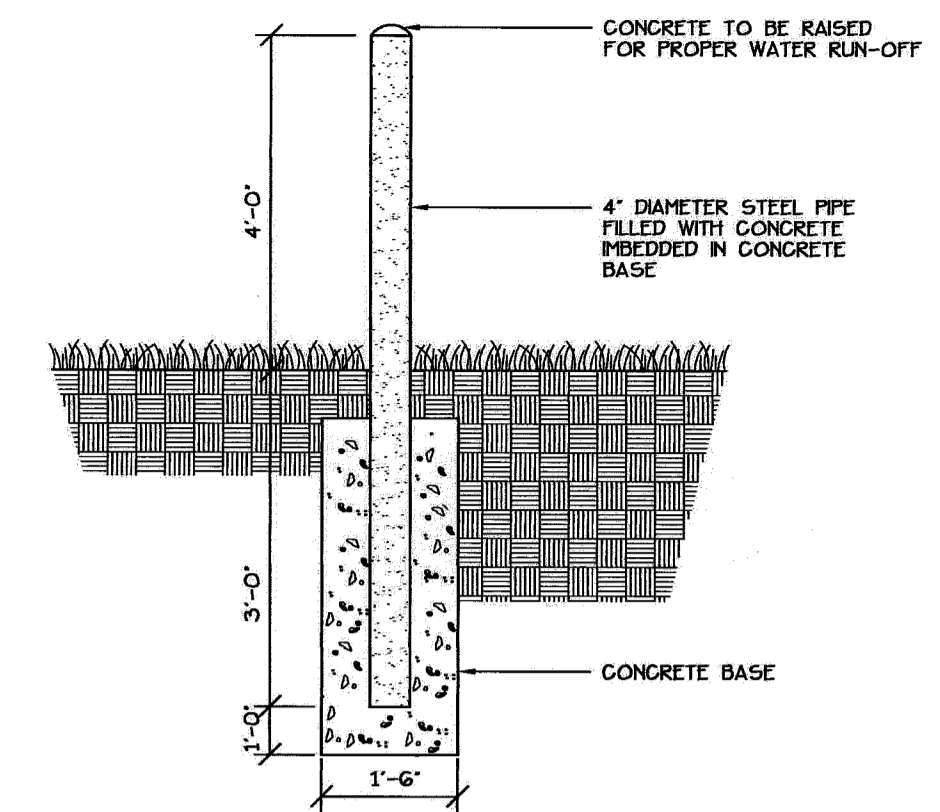
8 PIPE TRENCH DETAIL
3 NOT TO SCALE



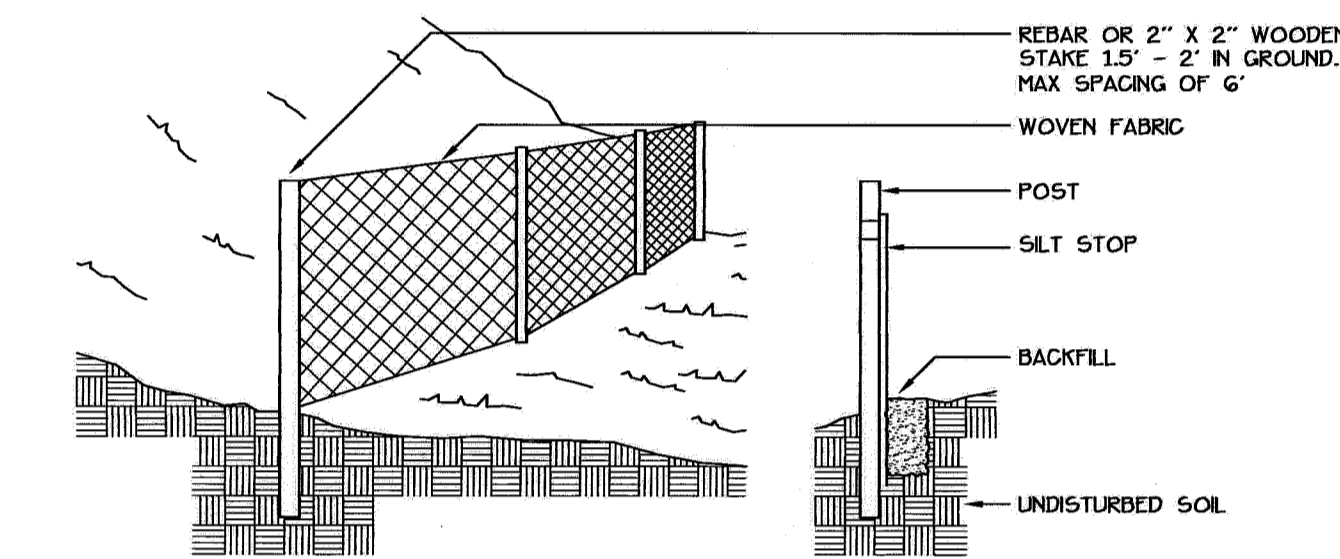
9 PAVEMENT SAWCUT DETAIL
3 NOT TO SCALE



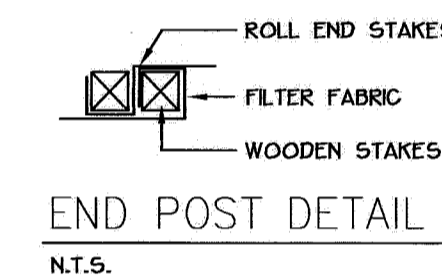
10 DRIP STRIP AND FOUNDATION UNDERDRAIN
3 NOT TO SCALE



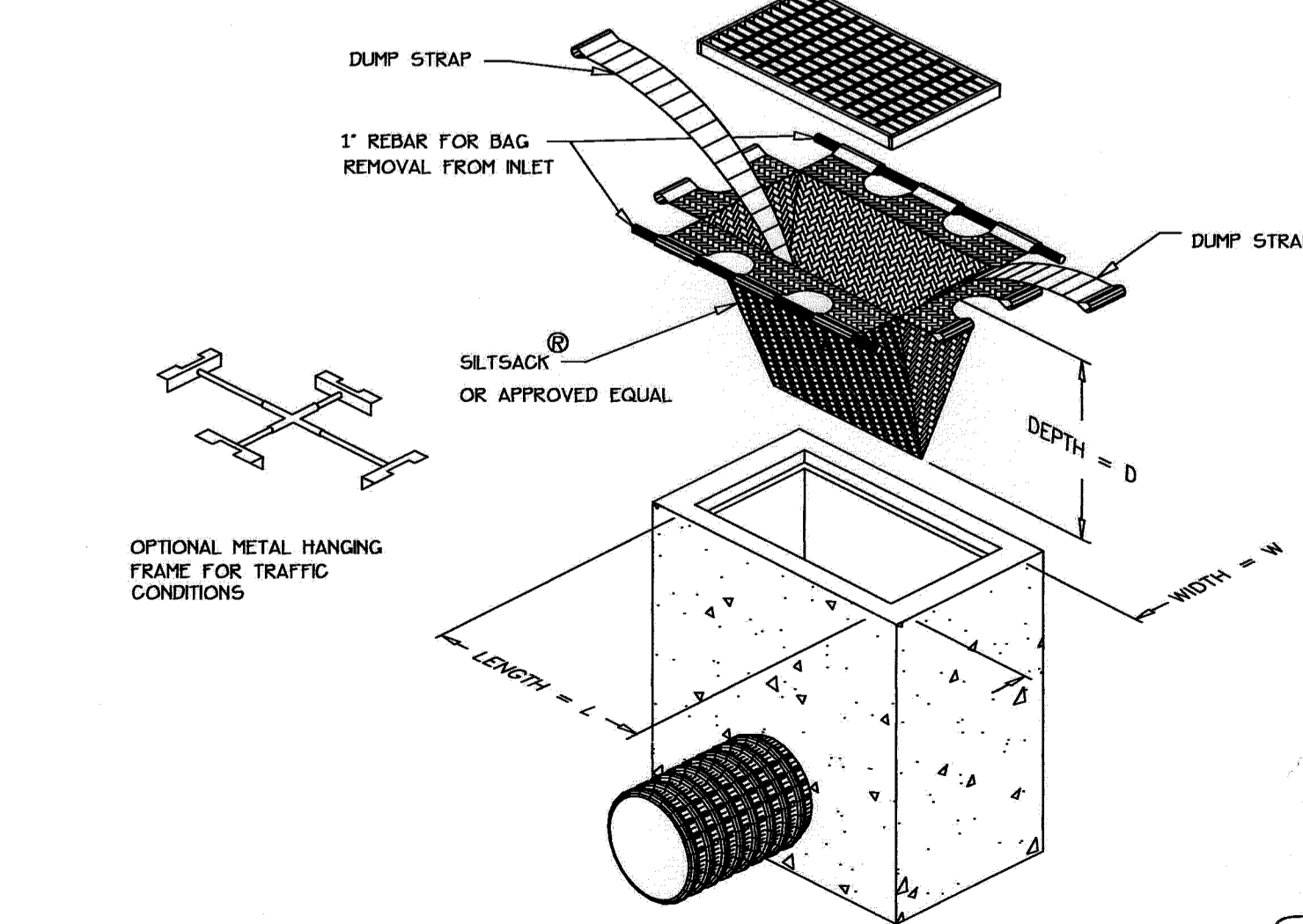
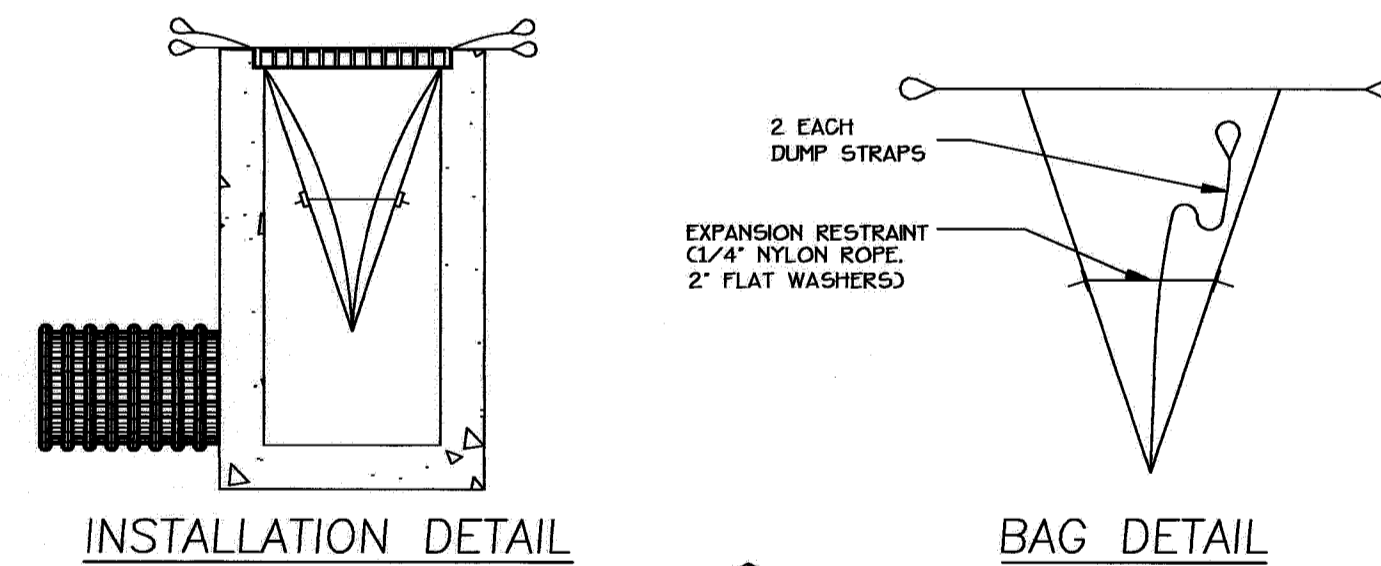
13 BOLLARD DETAIL
3 NOT TO SCALE



- SILT FENCE TO BE INSTALLED PARALLEL TO EXISTING CONTOURS DOWNSLOPE FROM AREAS OF SOIL DISTURBANCE.
- SILT FENCE TO BE SECURELY ATTACHED TO THE UPSLOPE SIDE OF THE SUPPORTING STAKES.
- BOTTOM 4 TO 6 INCHES OF SILT FENCE TO BE BURIED IN SLOPE AND BACKFILLED WITH COMPACTED SOIL.
- INSPECTION SHALL BE MADE AFTER EVERY RAINFALL WITH REMOVAL OF EXCESSIVE SEDIMENT AND REPAIR OF THE FENCE ACCOMPLISHED PROMPTLY.
- SILT FENCE AND ACCUMULATED SEDIMENT SHALL BE REMOVED AS SOON AS PERMANENT EROSION CONTROL MEASURES HAVE BEEN ESTABLISHED.



11 SILT FENCE
3 NOT TO SCALE



12 INLET SEDIMENT CONTROL DEVICE
3 NOT TO SCALE

Prepared For:
Owner:
Avesta Housing
307 Cumberland Avenue
Portland, Maine 04101

Prepared By:
MITCHELL & ASSOCIATES
Landscape Architects
The Staples School
70 Center Street
Portland, Maine 04101
Tel: (207) 774-4427

Munjoy Commons: Emerson
Portland, Maine
13 Emerson Street

Date:
AUGUST 28, 2009

Issued For:
BIDDING AND PERMITTING

Revisions:

Reproduction or reuse of this document without the expressed written consent of Mitchell & Associates is prohibited.

Title:
SITE DETAILS

Scale:
AS SHOWN

Sheet No:
3

