

**EMERSON STREET RENOVATION**  
**NEW CONSTRUCTION**  
 23 EMERSON STREET | PORTLAND  
 BRYCE AVALLONE & PETER VALCOURT



**DEXTRIOUS  
CREATIVE**

PORTLAND, ME 04102  
 TRACIE REED, ARCHITECT  
 NCARB, AIA, LEED AP BD+C  
 traciereed@dextrouscreative.com  
 207.409.0459 (cell)

**GENERAL CONTRACTOR/OWNER REP.**  
 PETER VALCOURT  
 PETER.VALCOURT@YAHOO.COM  
 207.469.8494

**STRUCTURAL ENGINEER**  
 AL HODSON  
 RESURGENCE ENGINEERING  
 61 INDIA STREET, SUITE 7  
 PORTLAND, ME 04101  
 AL@RESURGENCEENGINEERING.COM  
 207.615.9985 (CELL)

**CARPENTERS**  
 CARL LITTLEFIELD  
 LITTLEFIELD & SON CONSTRUCTION  
 79 TOWN FARM RD  
 BUXTON, ME 04093  
 CARL.LITTLEFIELD@YAHOO.COM  
 207.929.6040

No.	Description	Date
1	Revision 1	Date 1

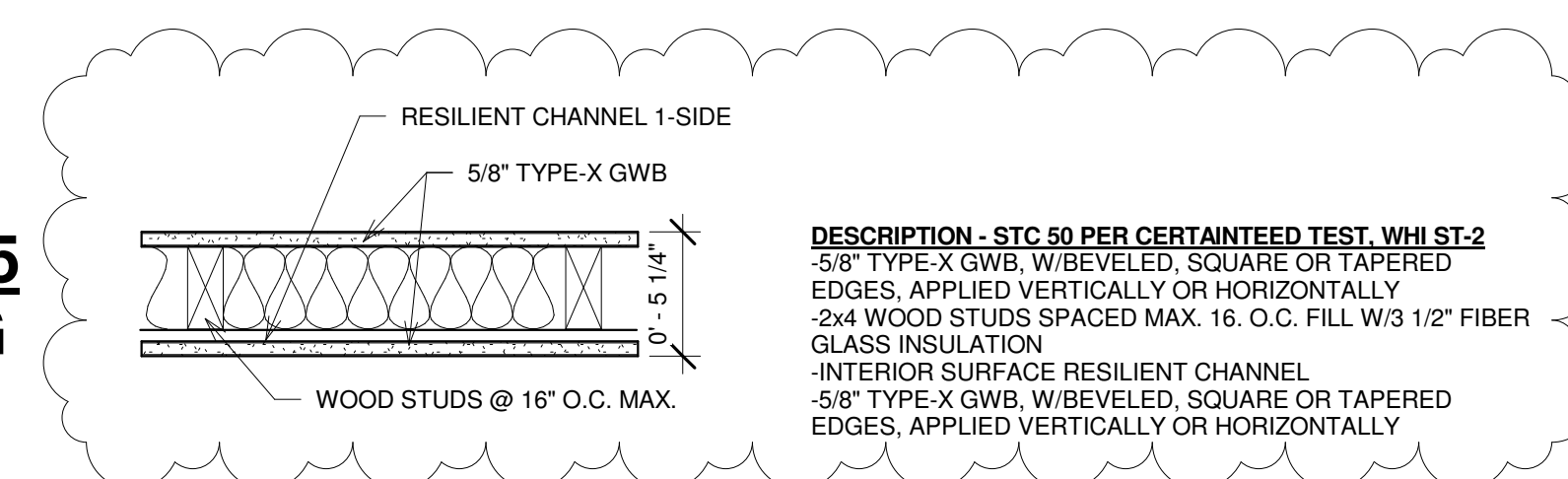
### Schedules and Wall Details

Project number	15-16
Date	06.23.15
Drawn by	TJR
Checked by	TJR

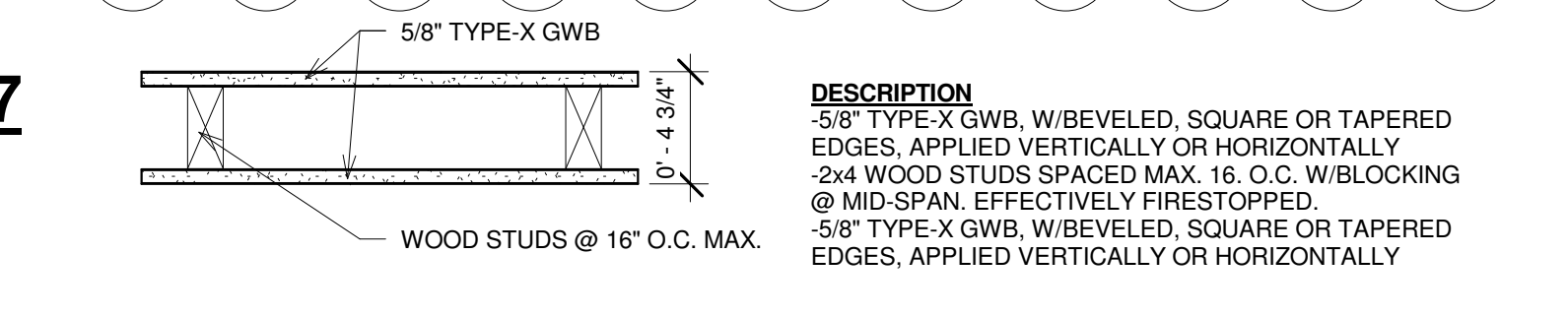
**A-5.1**

Scale As indicated

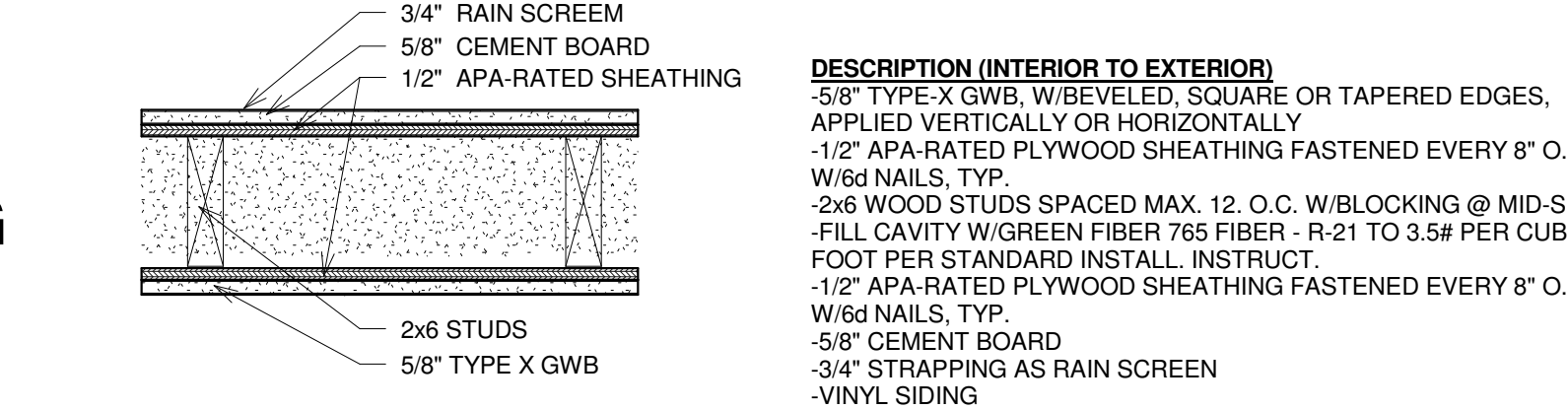
DOOR SCHEDULE				
#	TYPE	Width	Height	COMMENTS
001	A	3' - 0"	6' - 8"	
001B	A	3' - 0"	6' - 8"	
101	A	3' - 0"	6' - 8"	EXISTING TO REMAIN?
102	B	2' - 10"	6' - 8"	60 MIN. RATING W/CLOSURE
102B	B	2' - 10"	6' - 8"	60 MIN. RATING W/CLOSURE
104	D	3' - 0"	6' - 8"	
105	C	2' - 8"	6' - 8"	
105B	C	2' - 6"	6' - 8"	
107	C	2' - 8"	6' - 8"	
107B	F	4' - 0"	6' - 8"	
107C	F	4' - 0"	6' - 8"	
108	C	2' - 6"	6' - 8"	
108B	F	5' - 0"	6' - 8"	
108C	F	5' - 0"	6' - 8"	
108D	C	2' - 8"	6' - 8"	
109	C	2' - 6"	6' - 8"	
110	E	3' - 0"	6' - 8"	
110B	H	6' - 0"	7' - 0"	
201	B	2' - 8"	6' - 8"	60 MIN. RATING W/CLOSURE
204	B	2' - 8"	6' - 8"	60 MIN. RATING W/CLOSURE
204B	D	3' - 0"	6' - 8"	
205	C	2' - 8"	6' - 8"	
205B	C	2' - 6"	6' - 8"	
207	C	2' - 8"	6' - 8"	
207B	F	4' - 0"	6' - 8"	
207C	F	4' - 0"	6' - 8"	
208	C	2' - 6"	6' - 8"	
208B	F	5' - 0"	6' - 8"	
208C	F	5' - 0"	6' - 8"	
208D	C	2' - 8"	6' - 8"	
209	C	2' - 6"	6' - 8"	
210	E	3' - 0"	6' - 8"	
210B	H	6' - 0"	7' - 0"	
301	B	2' - 8"	6' - 8"	60 MIN. RATING W/CLOSURE
304	B	2' - 8"	6' - 8"	60 MIN. RATING W/CLOSURE
304B	D	3' - 0"	6' - 8"	
305	C	2' - 8"	6' - 8"	
305B	C	2' - 6"	6' - 8"	
306	C	2' - 8"	6' - 8"	
307	C	2' - 8"	6' - 8"	
307B	F	4' - 0"	6' - 8"	
307C	F	4' - 0"	6' - 8"	
308	C	2' - 8"	6' - 8"	
308B	F	5' - 0"	6' - 8"	
308C	F	5' - 0"	6' - 8"	
308D	C	2' - 8"	6' - 8"	
309	C	2' - 8"	6' - 8"	
310	E	3' - 0"	6' - 8"	
310B	H	6' - 0"	7' - 0"	



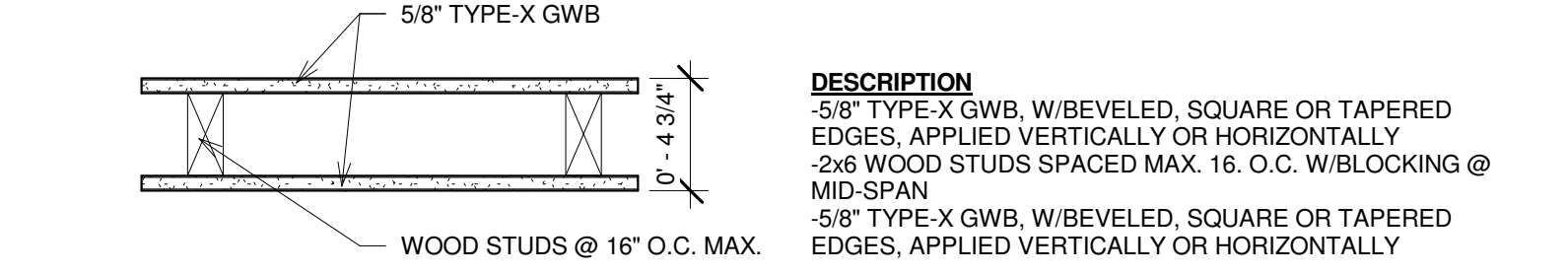
**TYPE 1A | UL 305**  
**1-HOUR RATING**



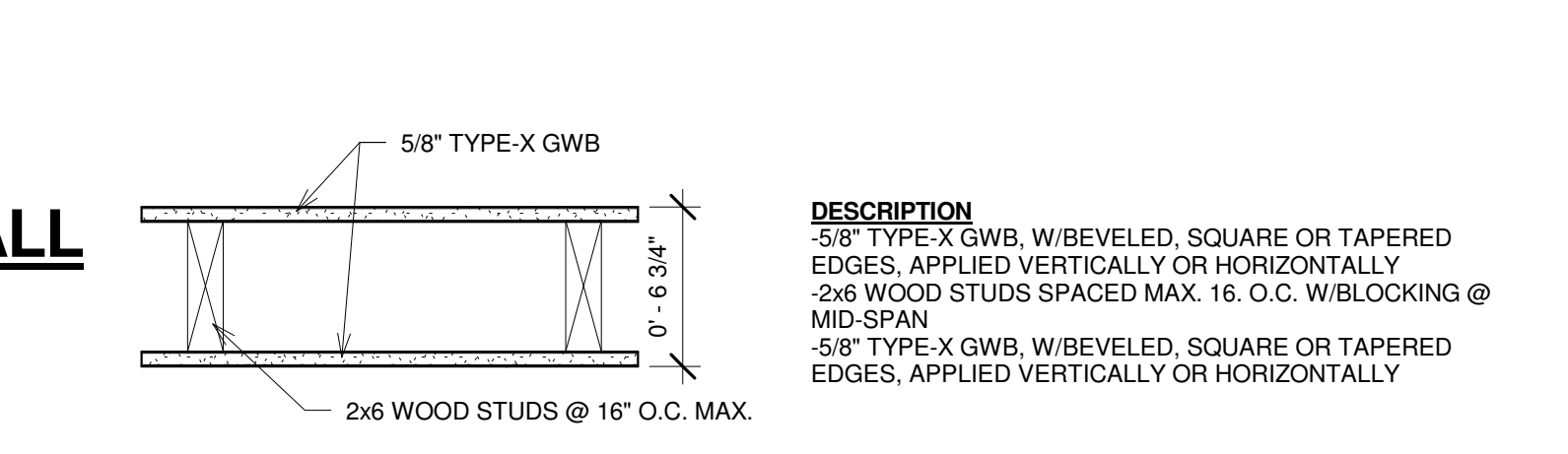
**TYPE 1B | UL 407**  
**30-MIN RATING**



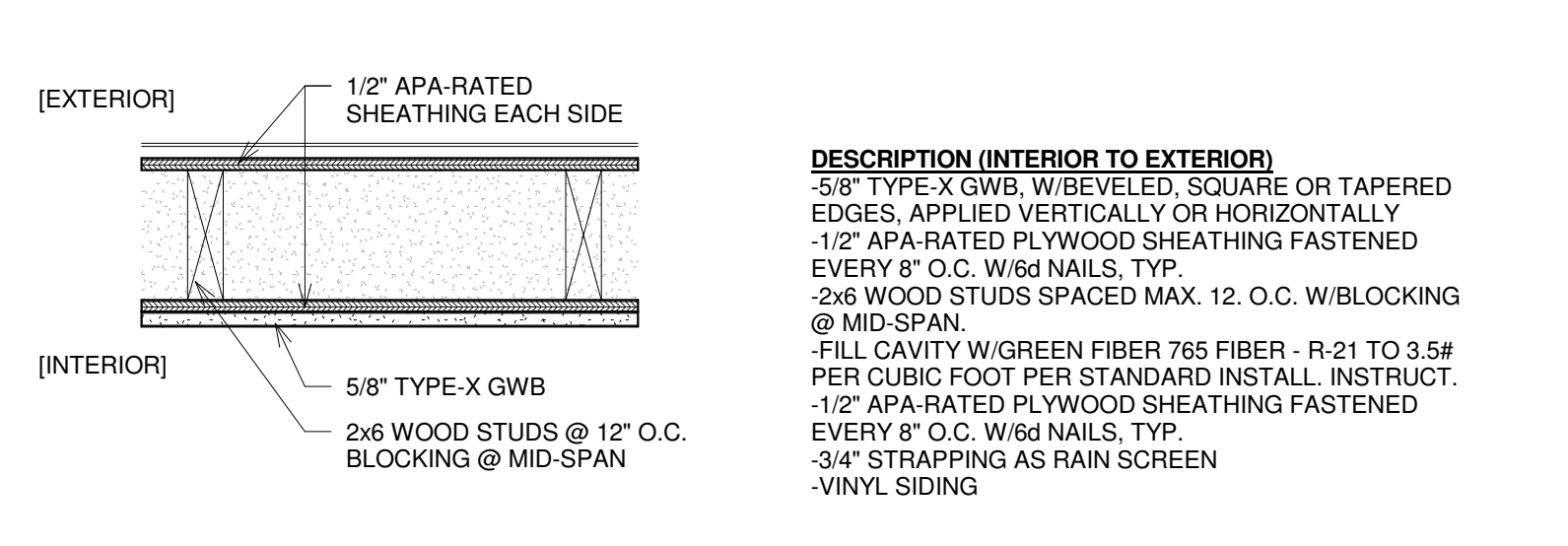
**TYPE 1S**  
**1-HOUR RATING**



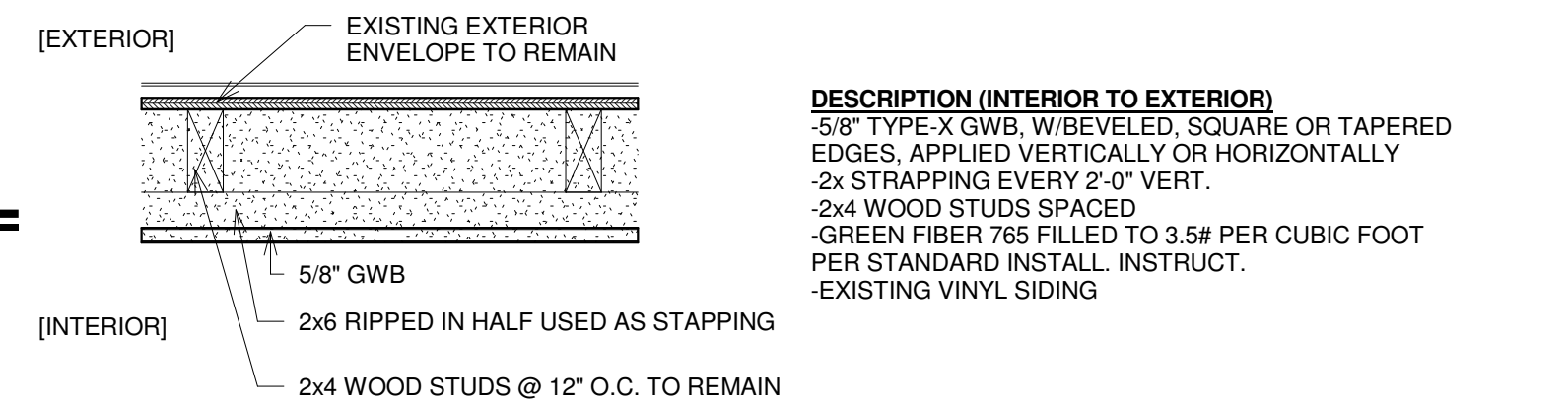
**TYPICAL INT.**  
**NO RATING**



**B | BEARING WALL**  
**NO RATING**

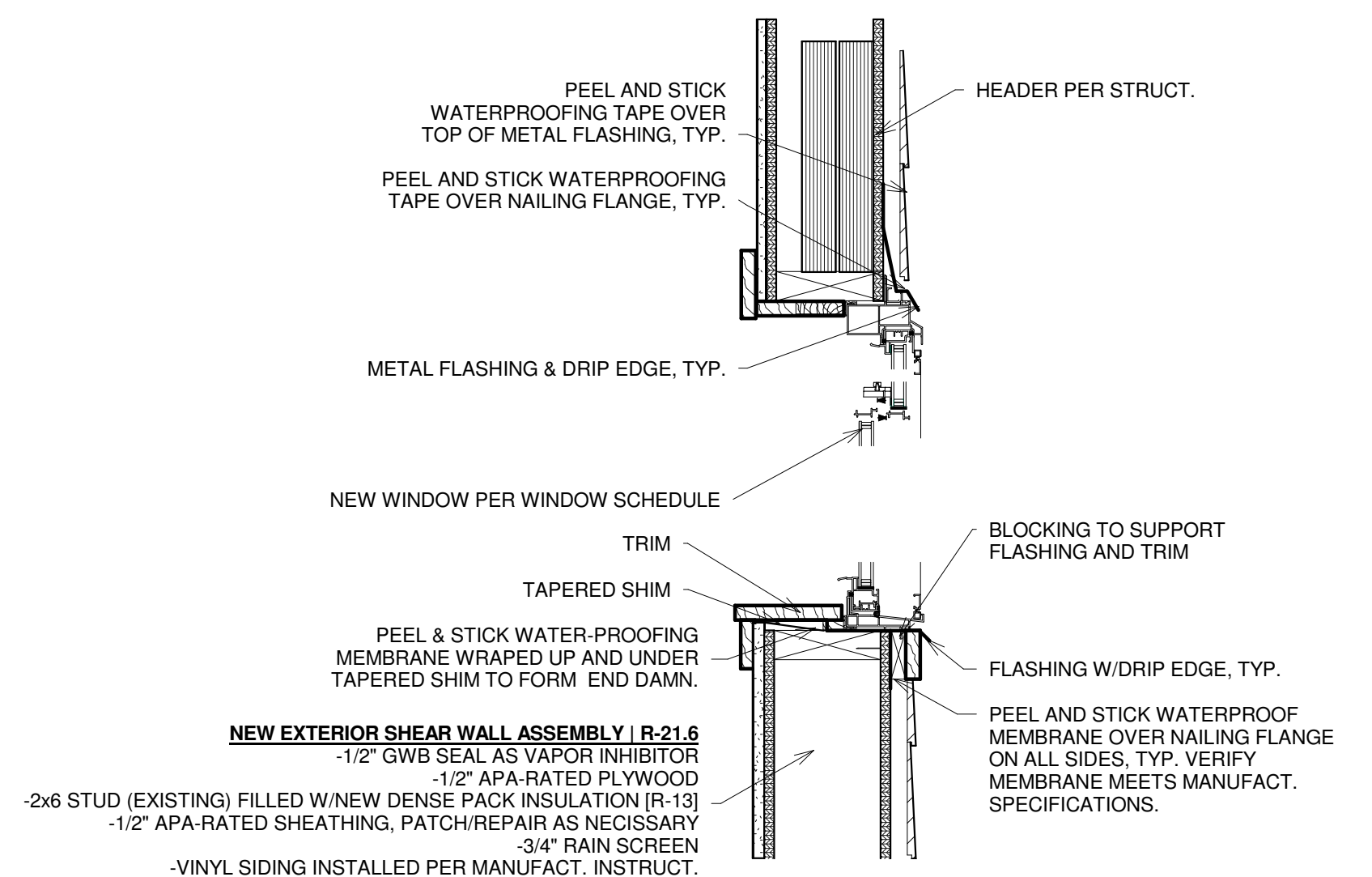


**S | EXTERIOR SHEAR WALL**  
**R-21**

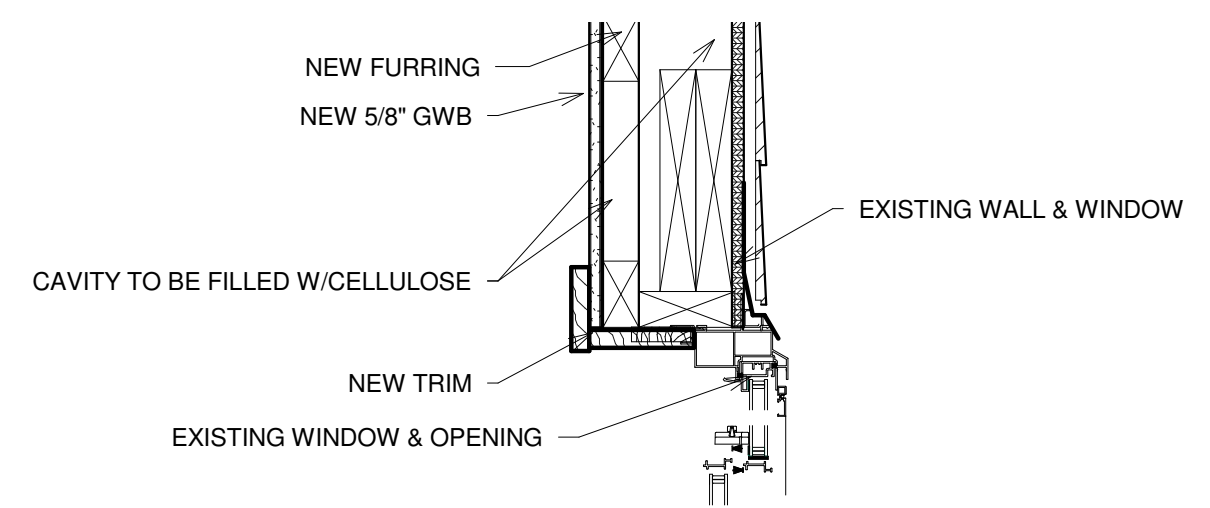


**E | EXISTING EXTERIOR WALL**  
**R-21**

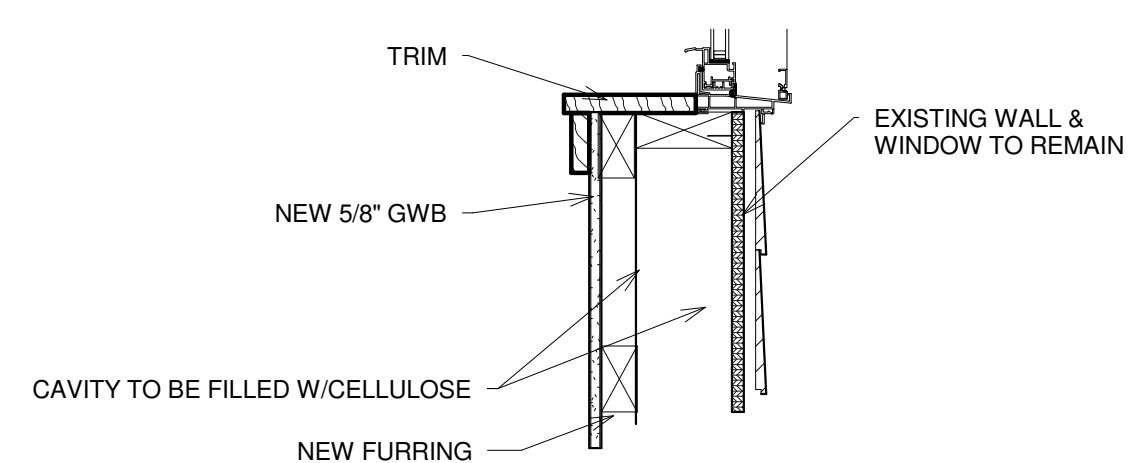
Wall Types  
1 1/2" = 1'-0"



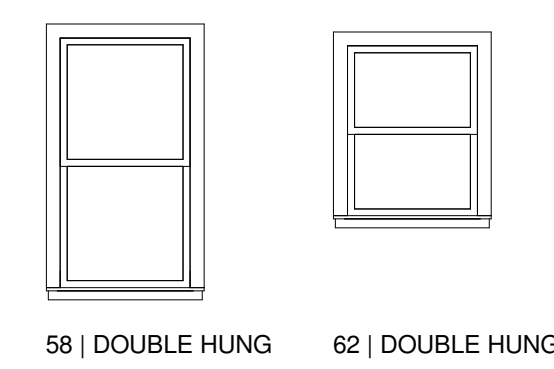
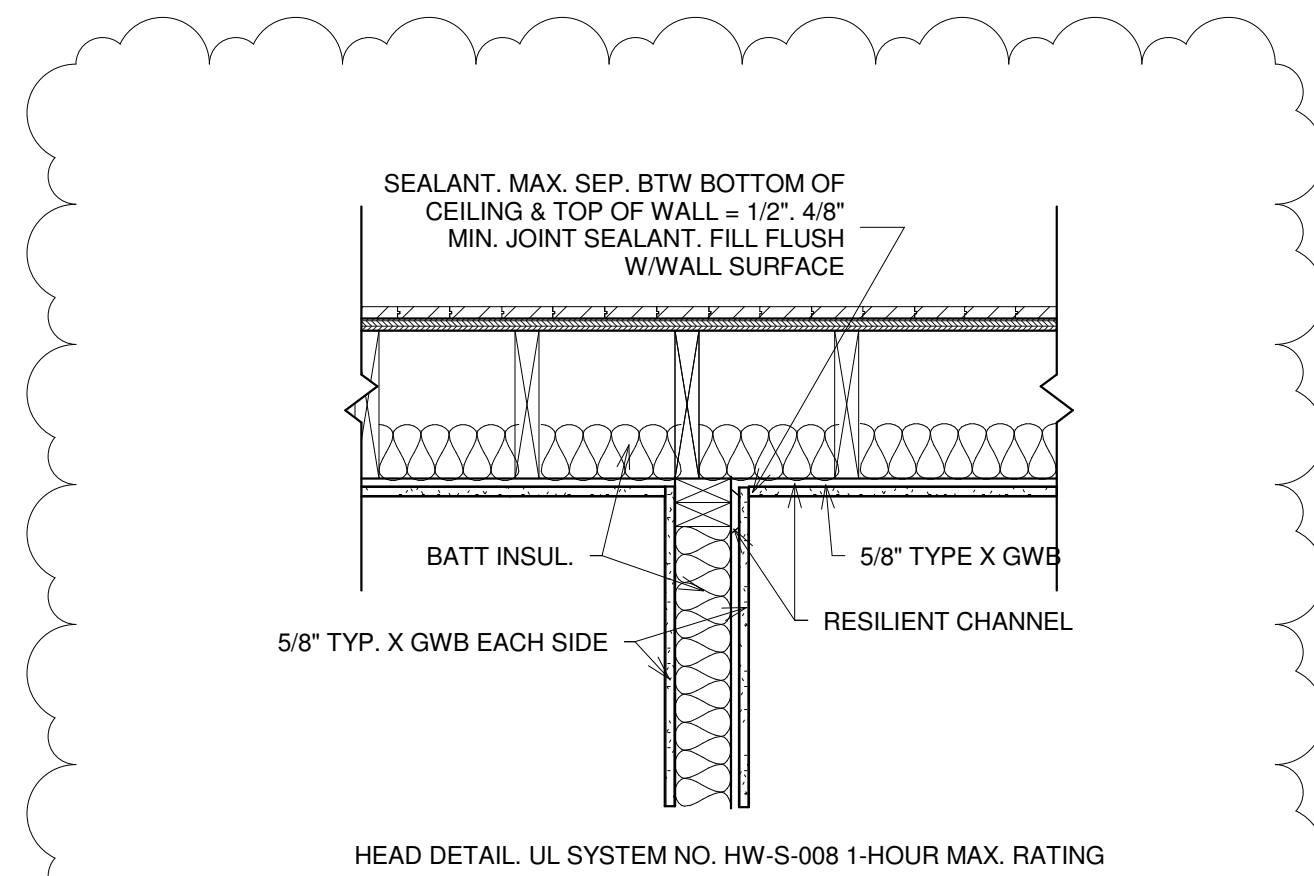
1 TYP. NC WINDOW & SILL DETAIL  
1 1/2" = 1'-0"



2 TYPICAL EXISTING WALL @ WINDOW  
1 1/2" = 1'-0"



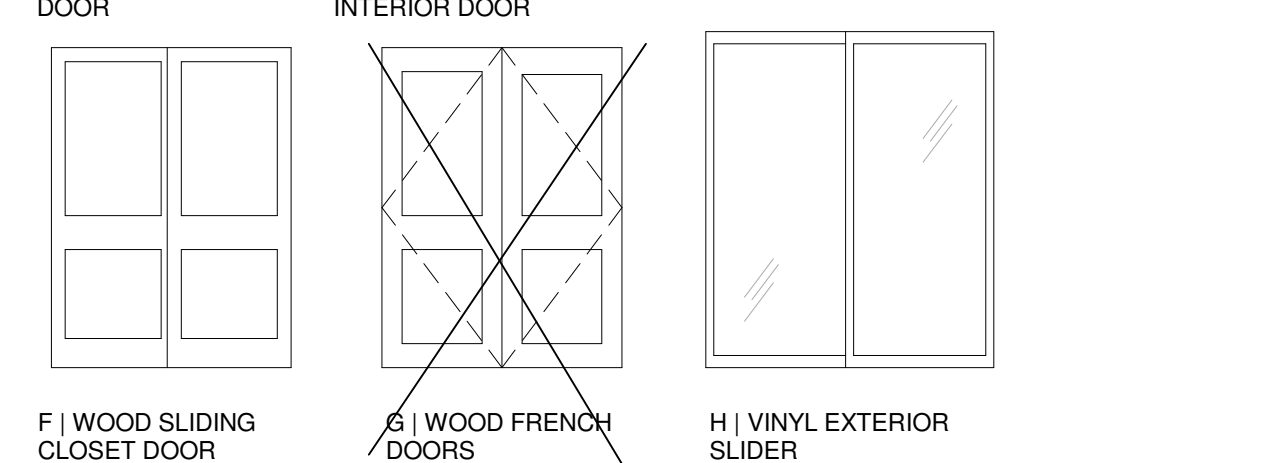
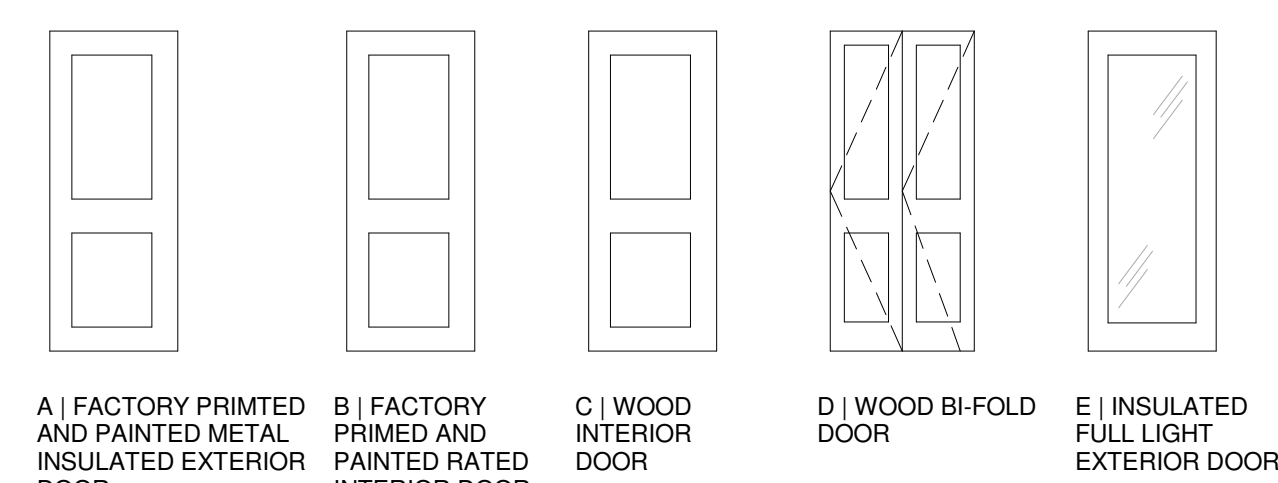
3 TYP. HEAD OF WALL DETAIL  
1" = 1'-0"



Window Legend  
1/4" = 1'-0"

Window Schedule				
Type Mark	Rough Opening Width	Rough Opening Height	Type	Comments
58	2' - 10"	5' - 4"	Double Hung with Trim	
62	2' - 10"	3' - 8"	Double Hung with Trim	

ENSURE ALL WINDOWS MEET IBC 2009 REQUIREMENTS IN SECTION 2406, SAFETY GLAZING. REPLACE ANY EXISTING WINDOWS REQUIRING SAFETY GLAZING PER SECTION 2406 TO MEET CODE. NEW WINDOWS TO MEET IECC-2009 U-FACTORS AND SHGC RATINGS. NOTE THAT GLAZING IN SHOWER AREAS MUST BE MEET SAFETY GLAZING STANDARD.



DOOR PANEL TYPES  
1/4" = 1'-0"