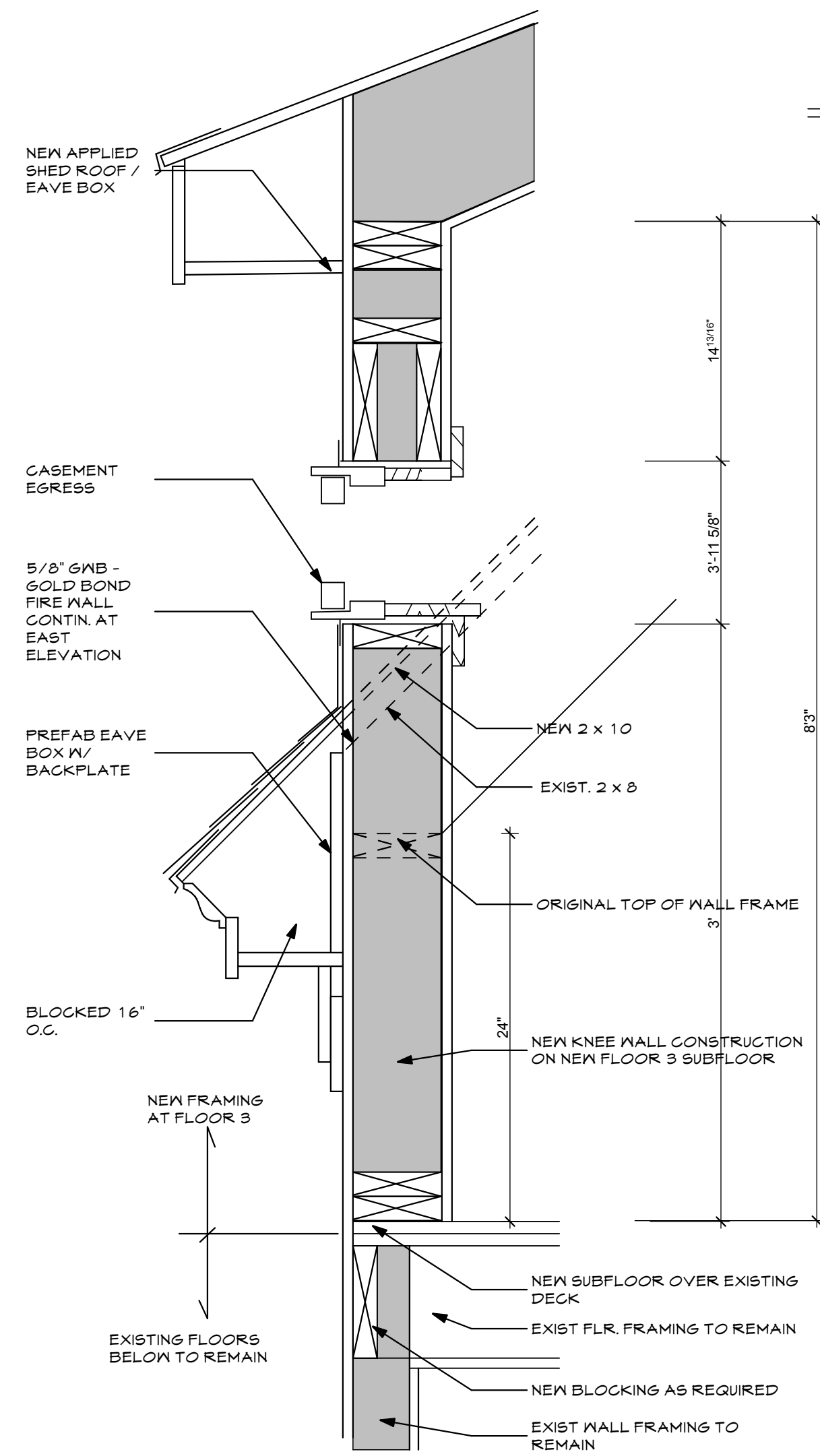


2. THIRD FLOOR WALL



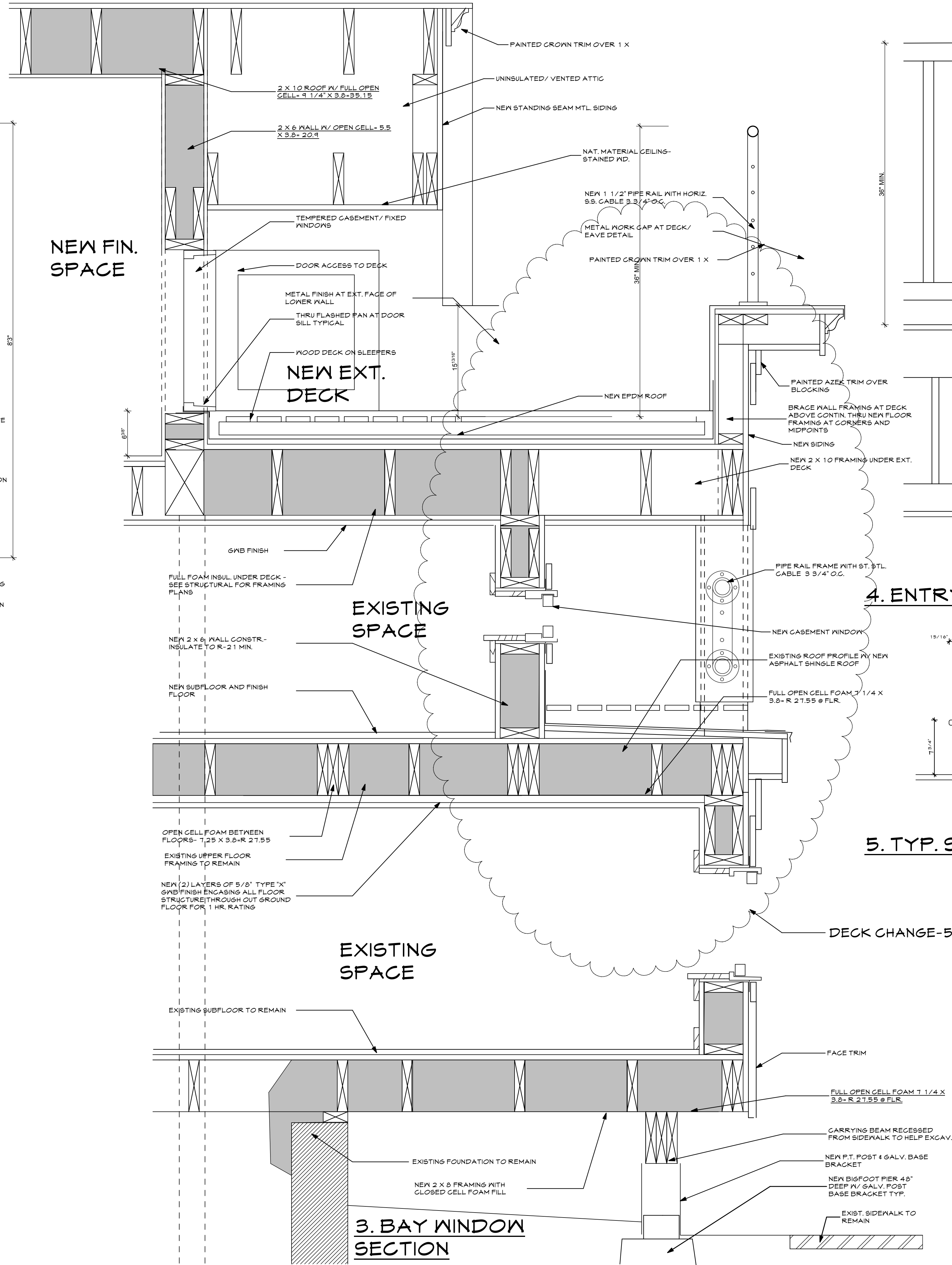
NEW FIN. SPACE

NEW EXT. DECK

EXISTING SPACE

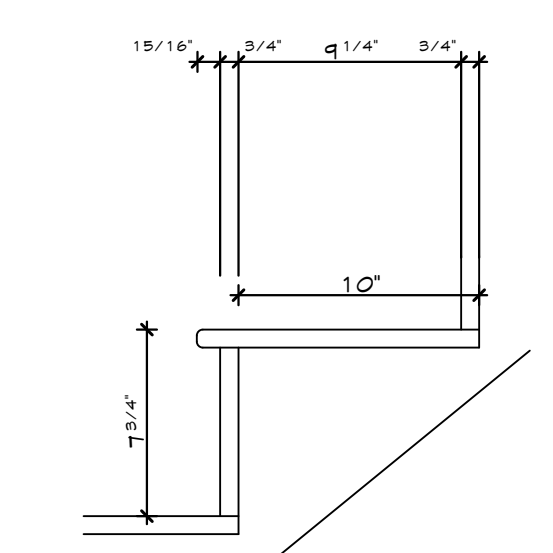
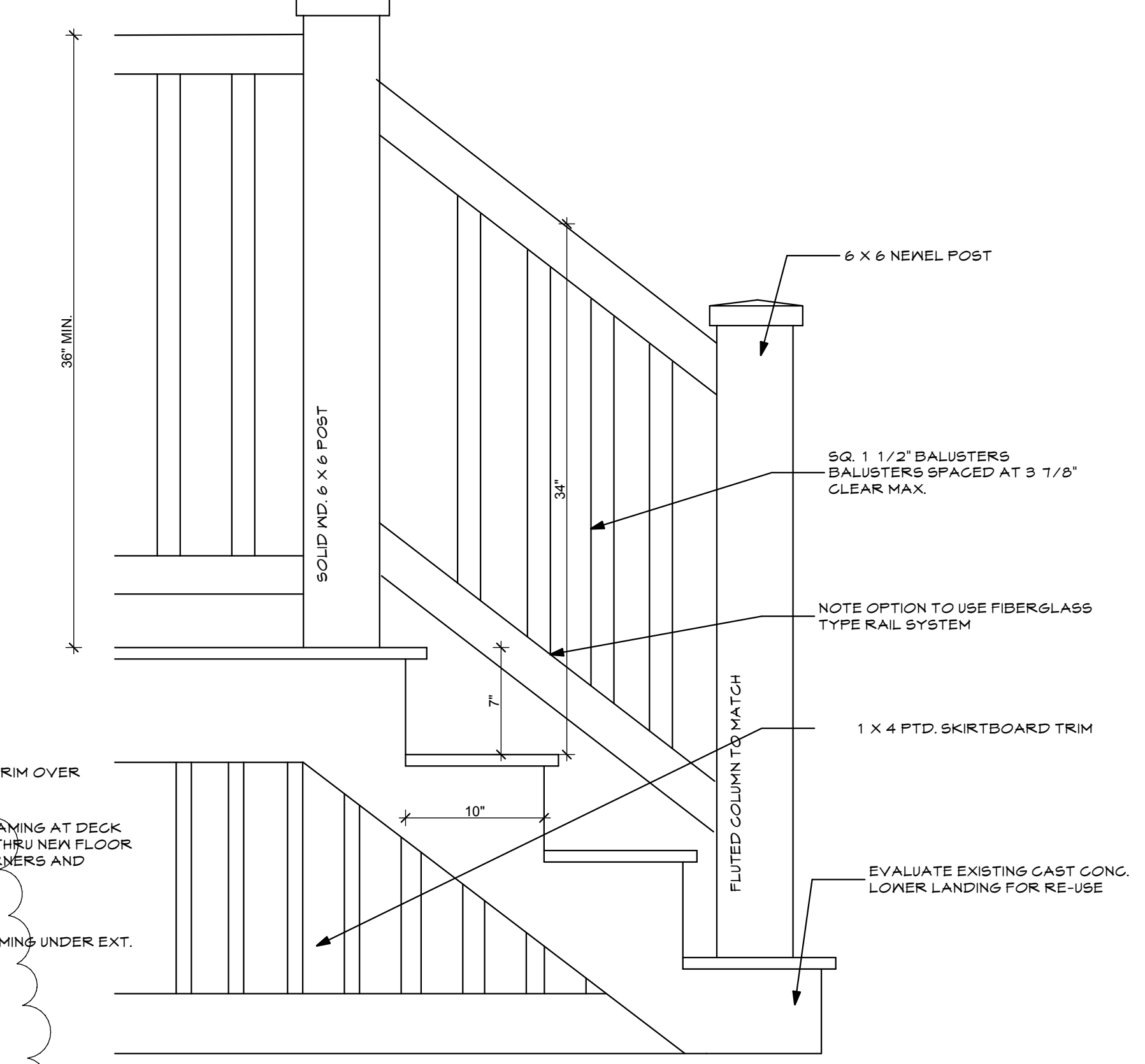
EXISTING SPACE

3. BAY WINDOW SECTION



4. ENTRY PORCH STAIR SECTION

5. TYP. STAIR TREAD



1 WALL SECTIONS & DETAILS
SCALE: 1 1/2" = 1'-0"

THIS DRAWING IS AN INSTRUMENT OF SERVICE AND SHALL REMAIN THE PROPERTY OF WHIPPLE CALLENDER ARCHITECTS. IT SHALL NOT BE USED FOR ANY OTHER PURPOSE THAT FOR WHICH IT IS SPECIFICALLY FURNISHED.

32 TURNER ST.
AGUARIUS PROPERTY MANAGEMENT
PORTLAND, MAINE

WHIPPLE — CALLENDER ARCHITECTS

136 PLEASANT AVE.
PORTLAND, ME 04103
P 207.715.2646
F 207.715.3631
www.whipplecallender.com

DATE	DESCRIPTION
5/15/14	WINDOW/DECK REV.
6/2/14	WIND/PLAN REV.

DATE: PERMIT APP. 2.12.14
CHECKED BY: JAD
DRAWN BY: JAD
JOB: 13-2014
SHEET TITLE: DETAILS

A-501