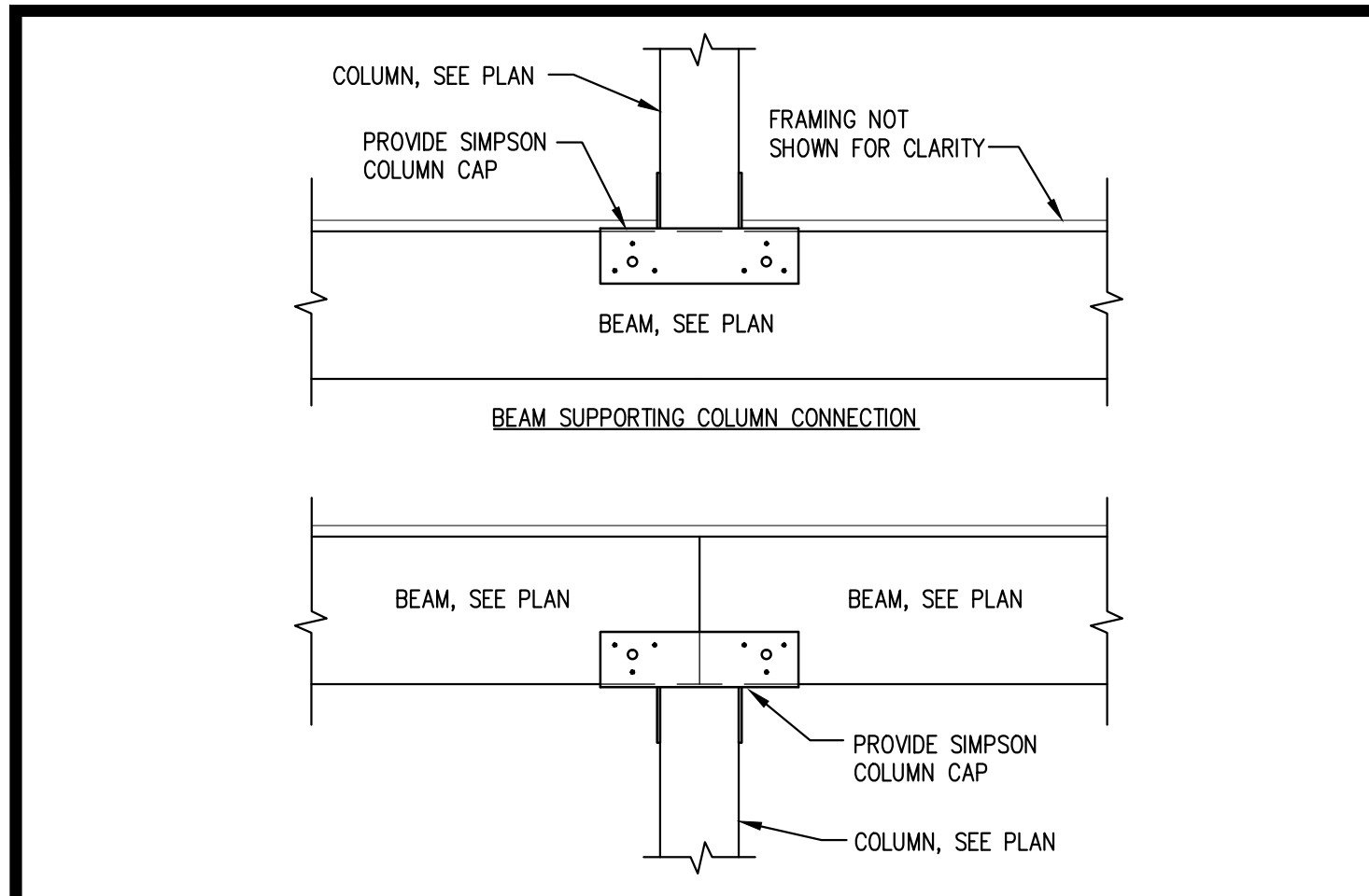
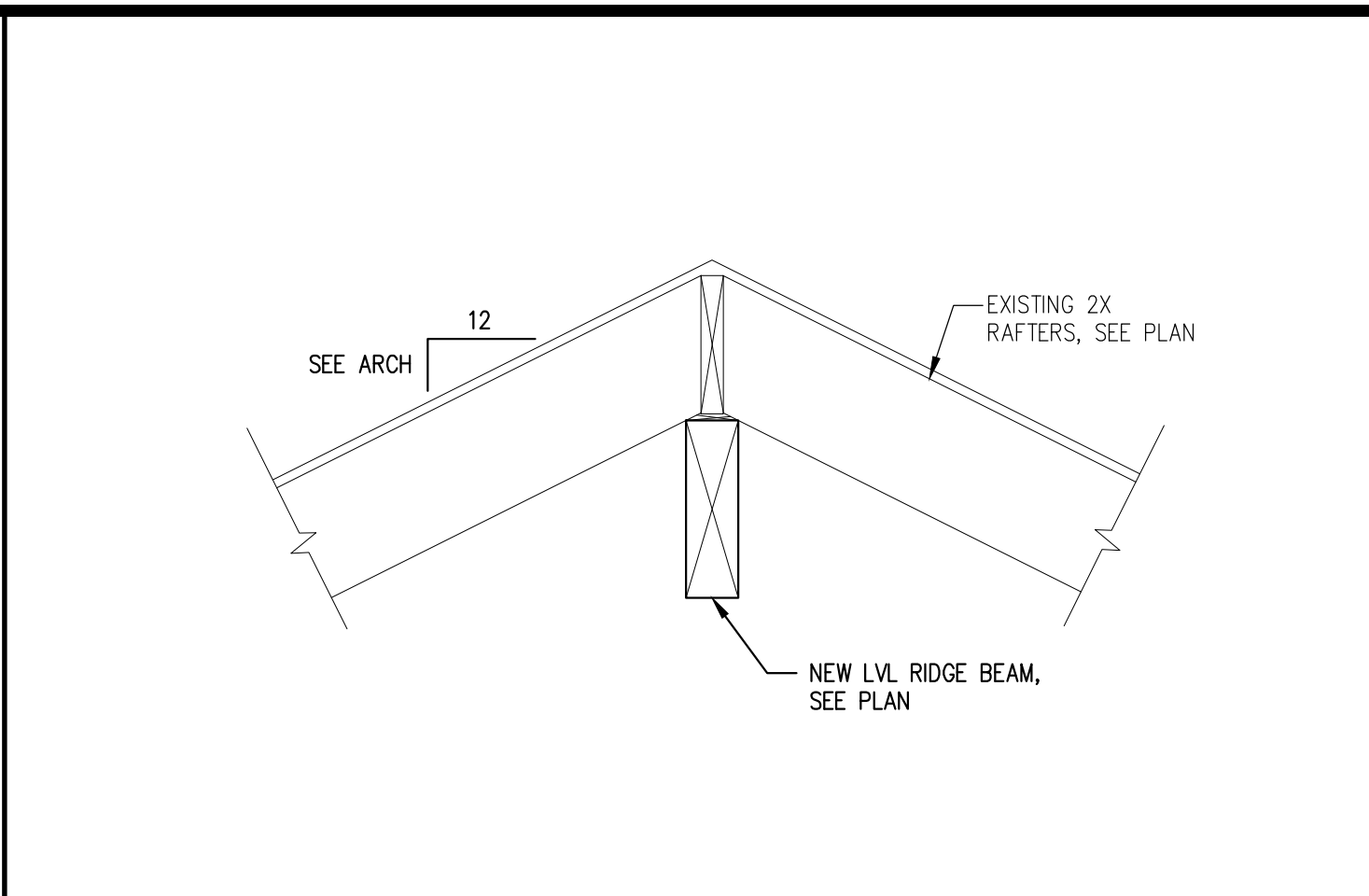


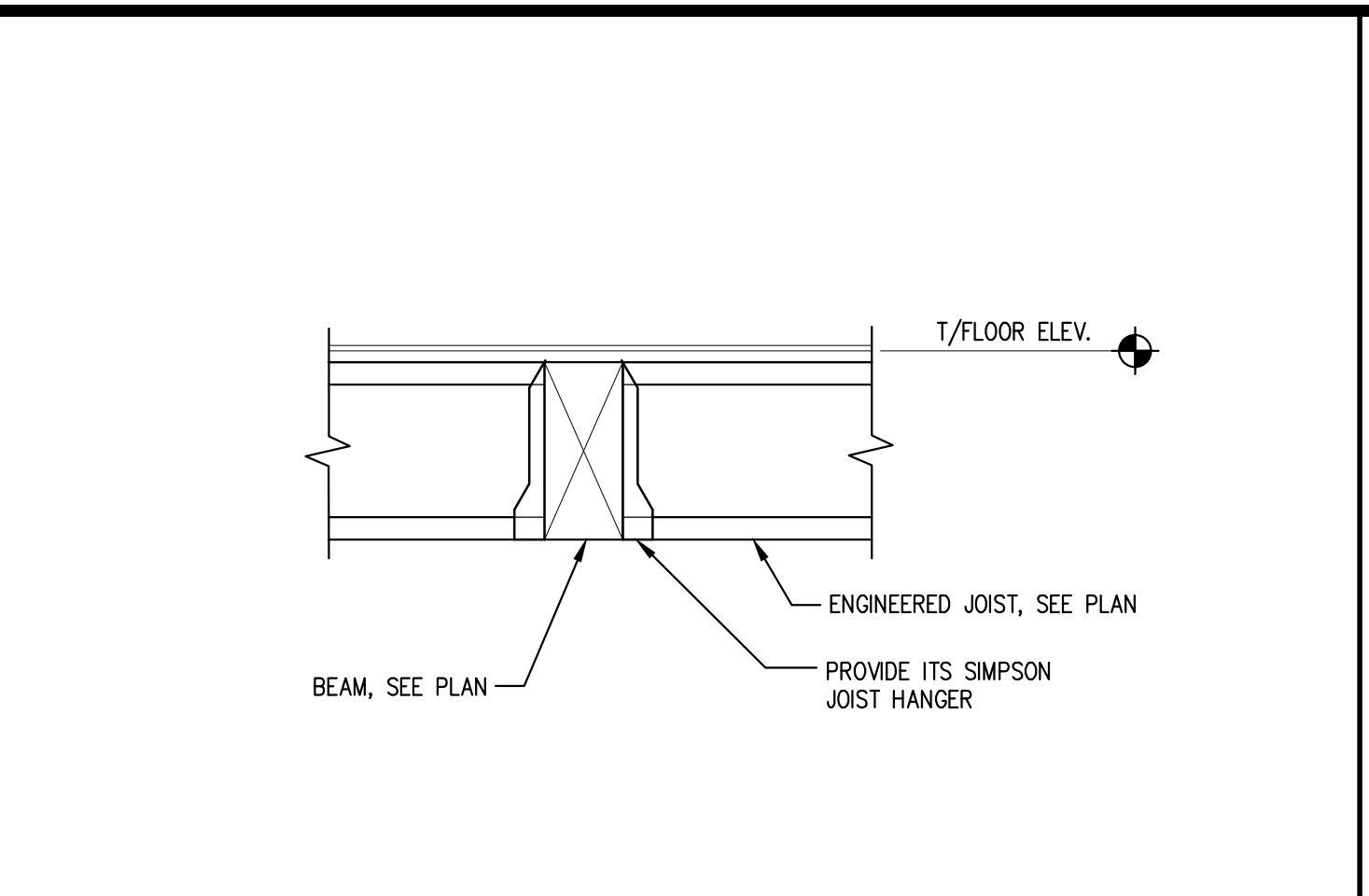
PRINTED: Feb 12, 2014



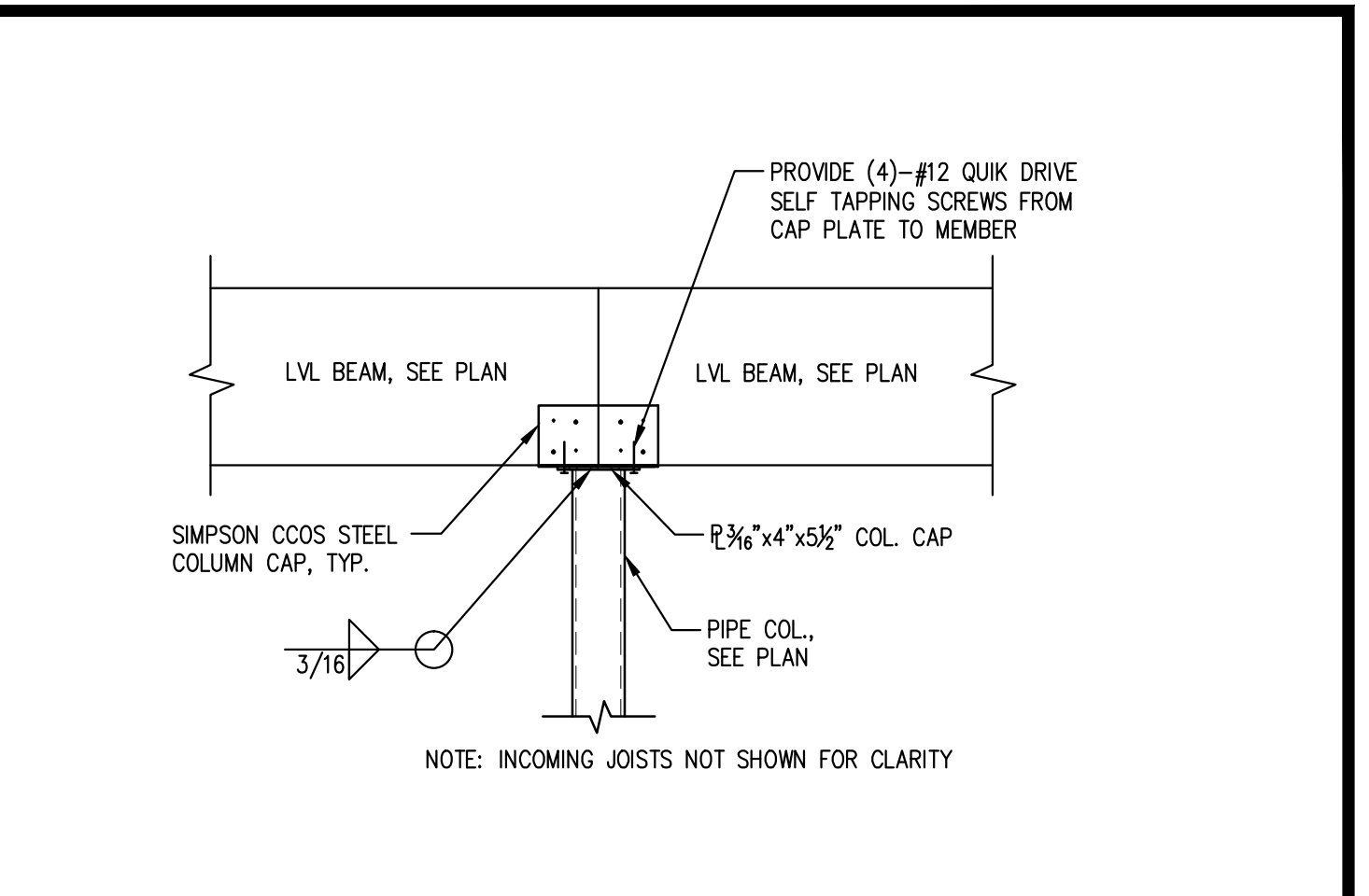
TYP. BEAM TO COL. CONNECTION SCALE: 1"=1'-0" 1



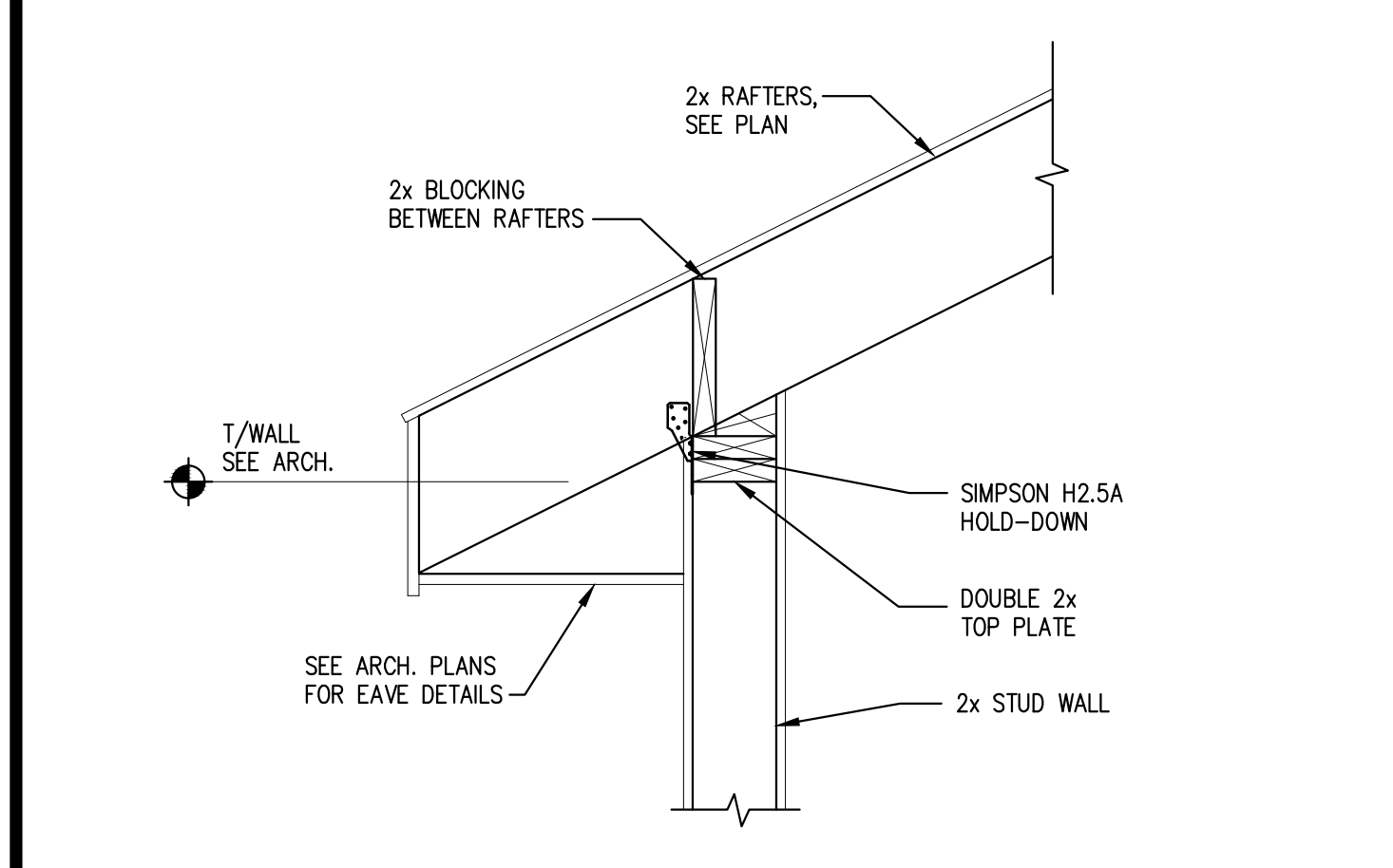
SECTION SCALE: 1"=1'-0" 2



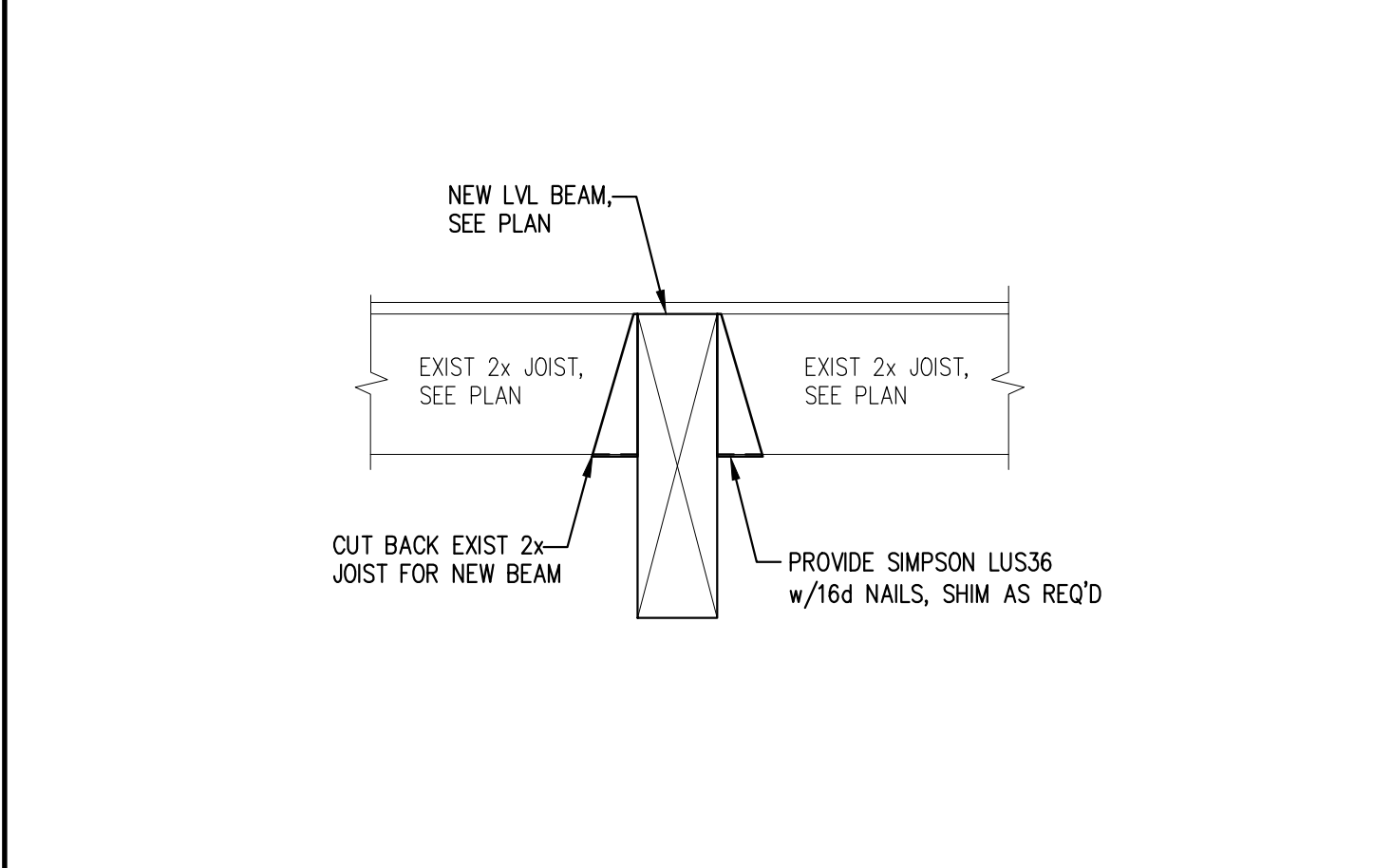
SECTION SCALE: 1"=1'-0" 3



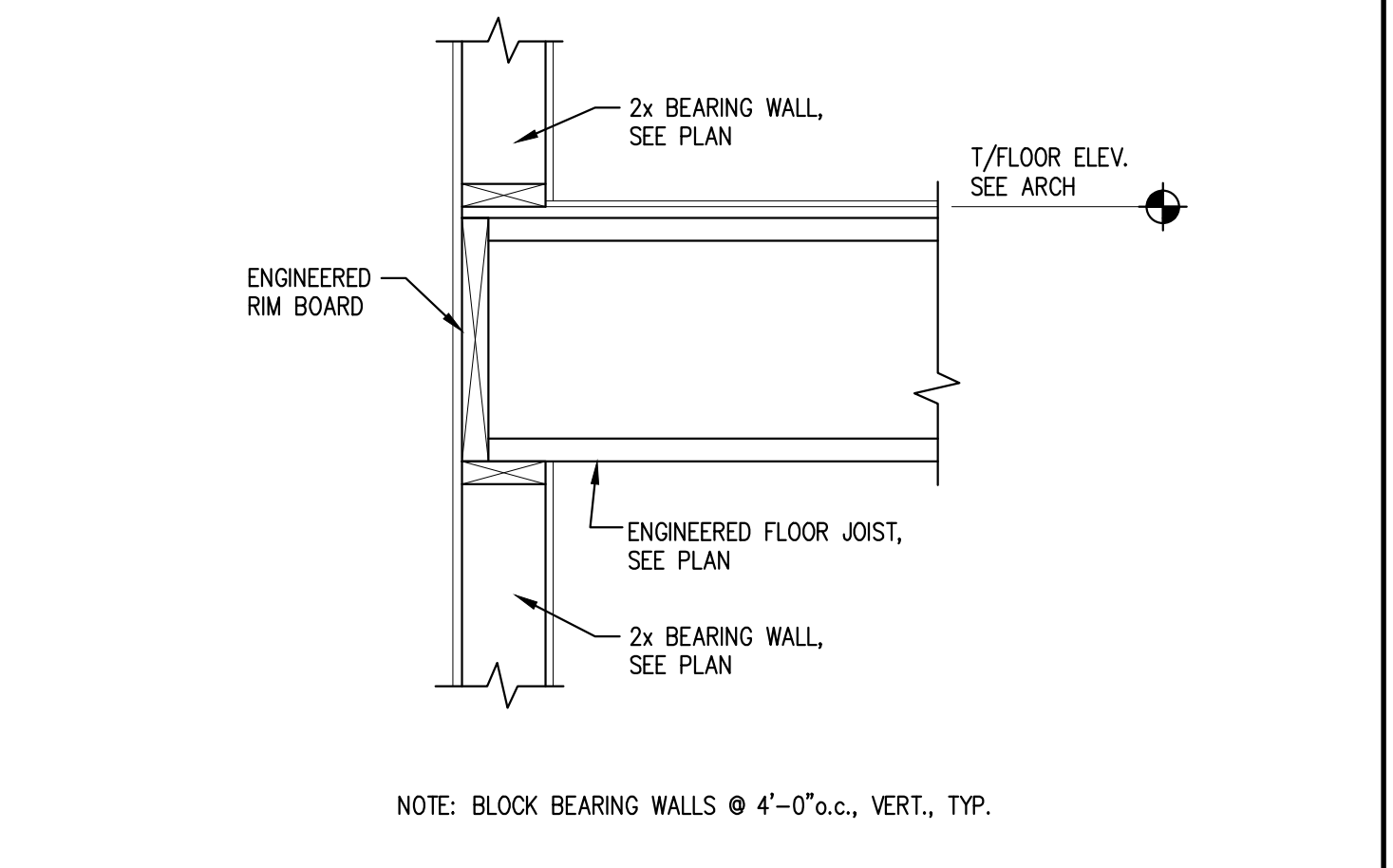
SECTION SCALE: 1"=1'-0" 4



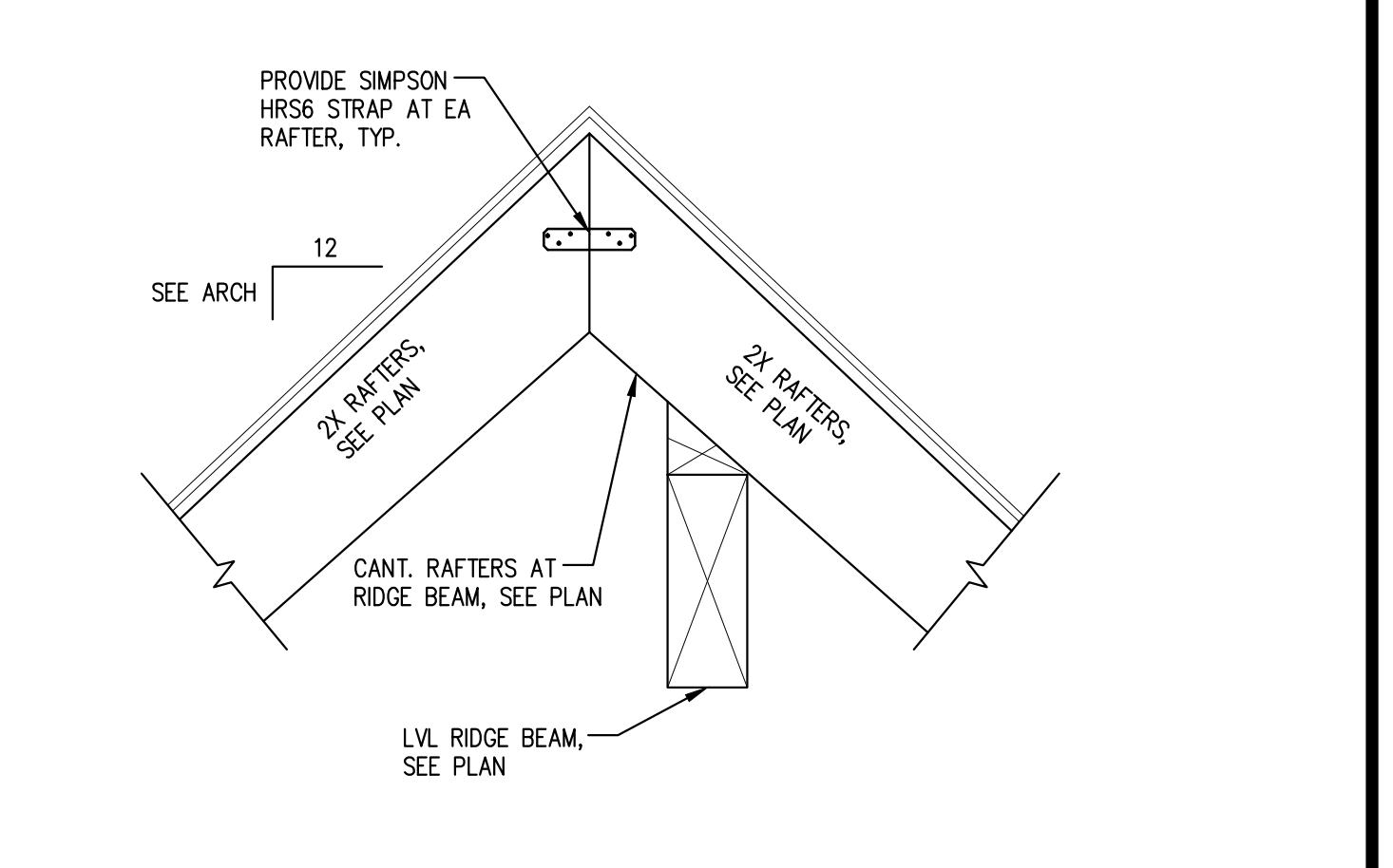
SECTION SCALE: 1"=1'-0" 5



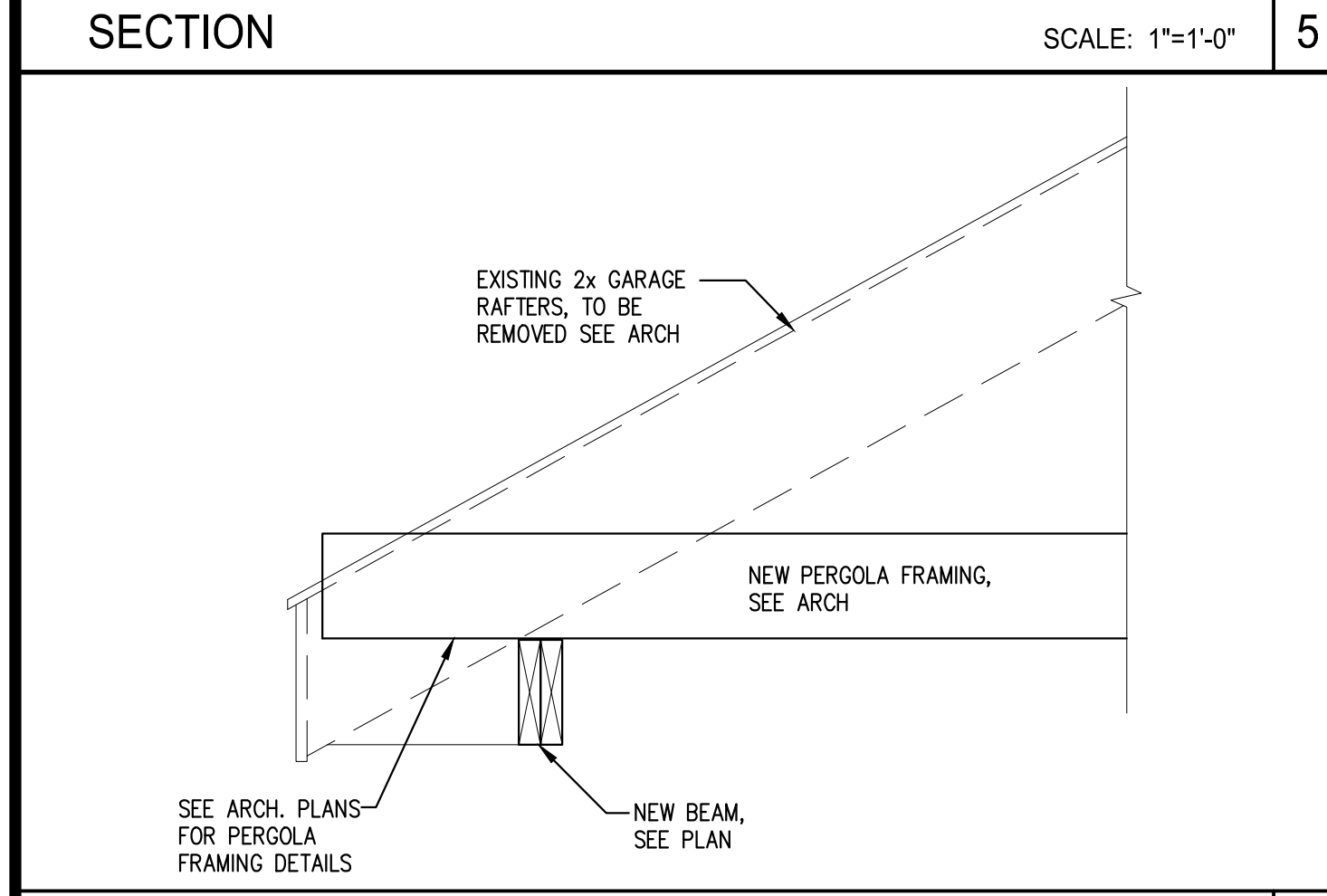
SECTION SCALE: 1"=1'-0" 6



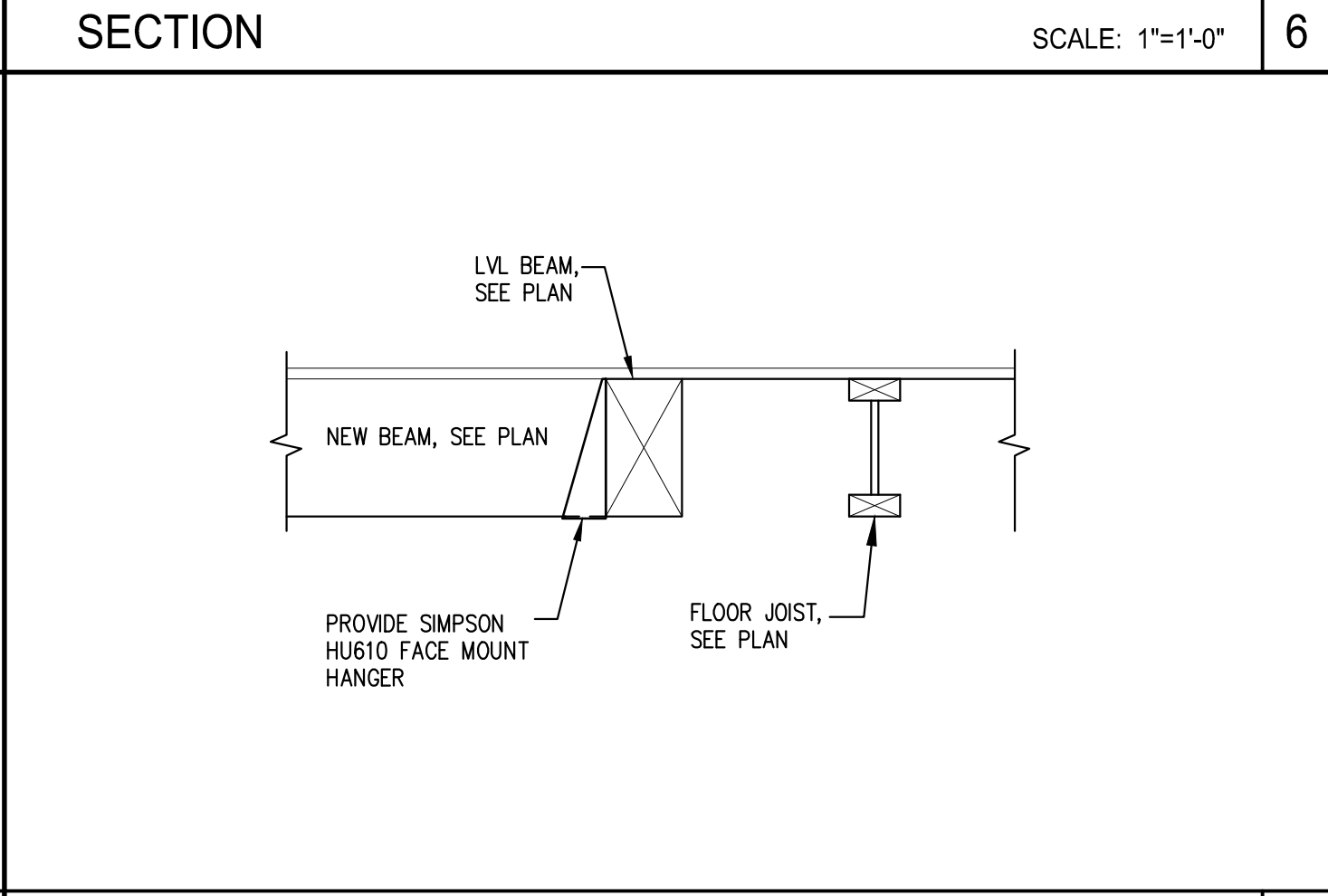
SECTION SCALE: 1"=1'-0" 7



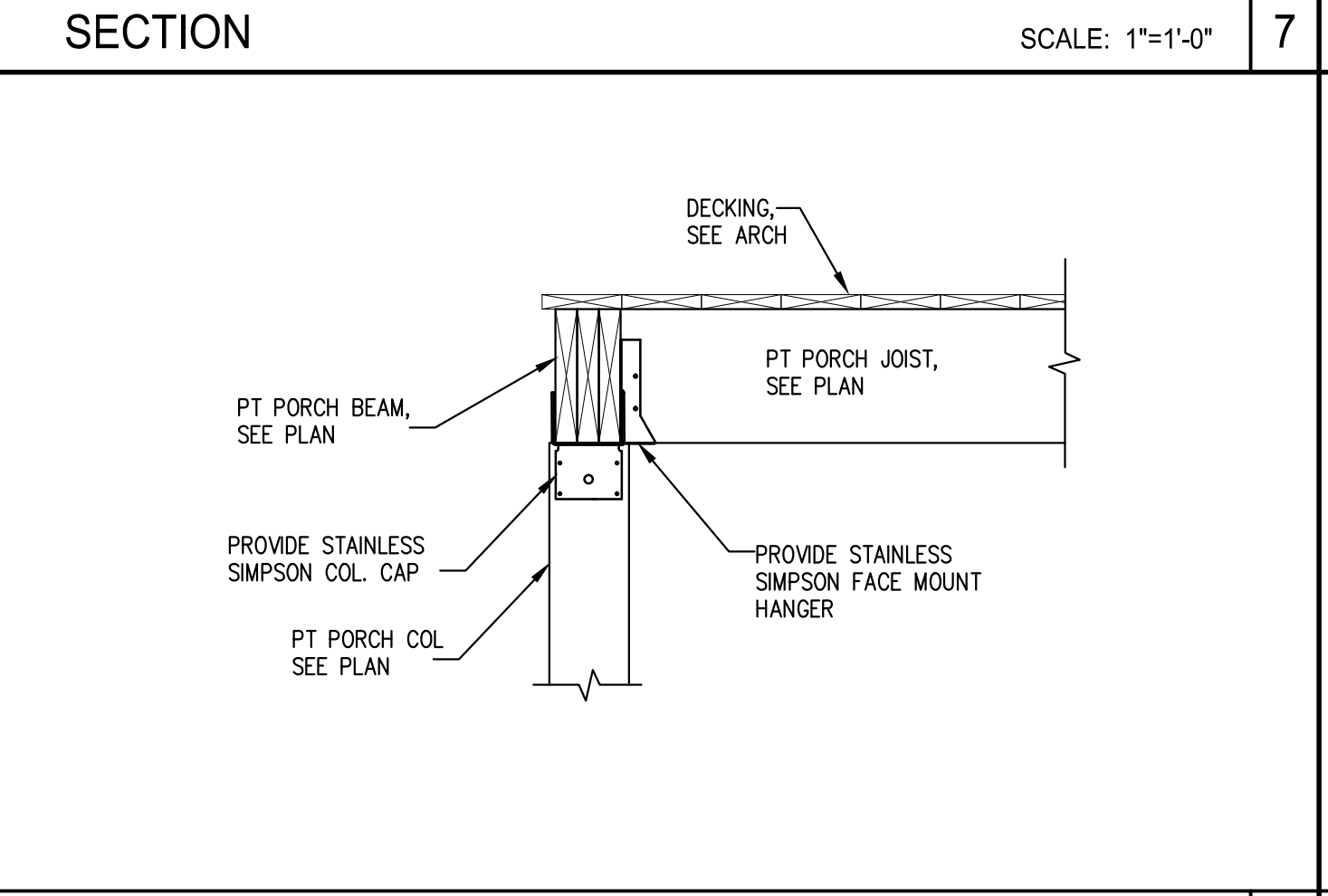
SECTION SCALE: 1"=1'-0" 8



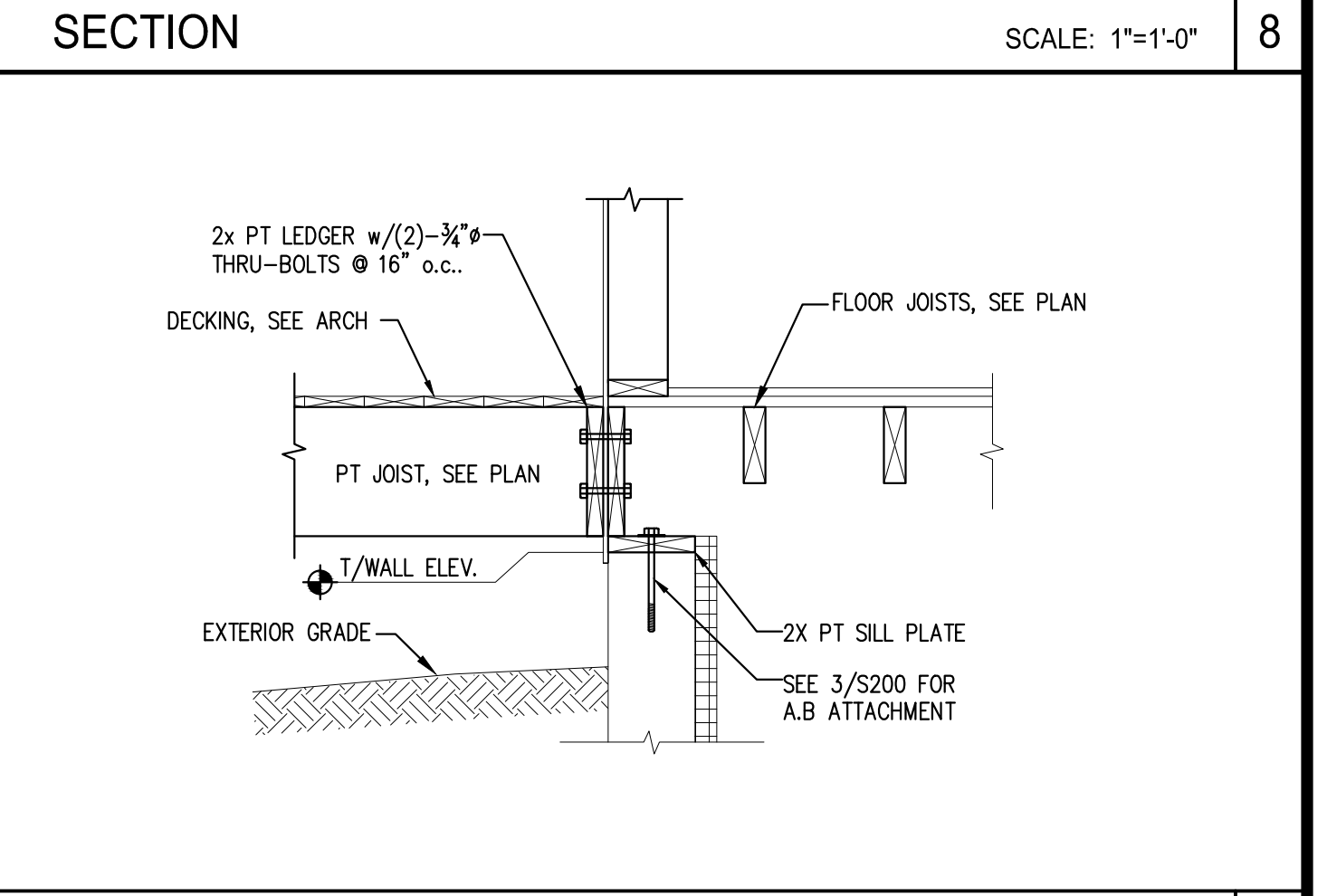
SECTION SCALE: 1"=1'-0" 9



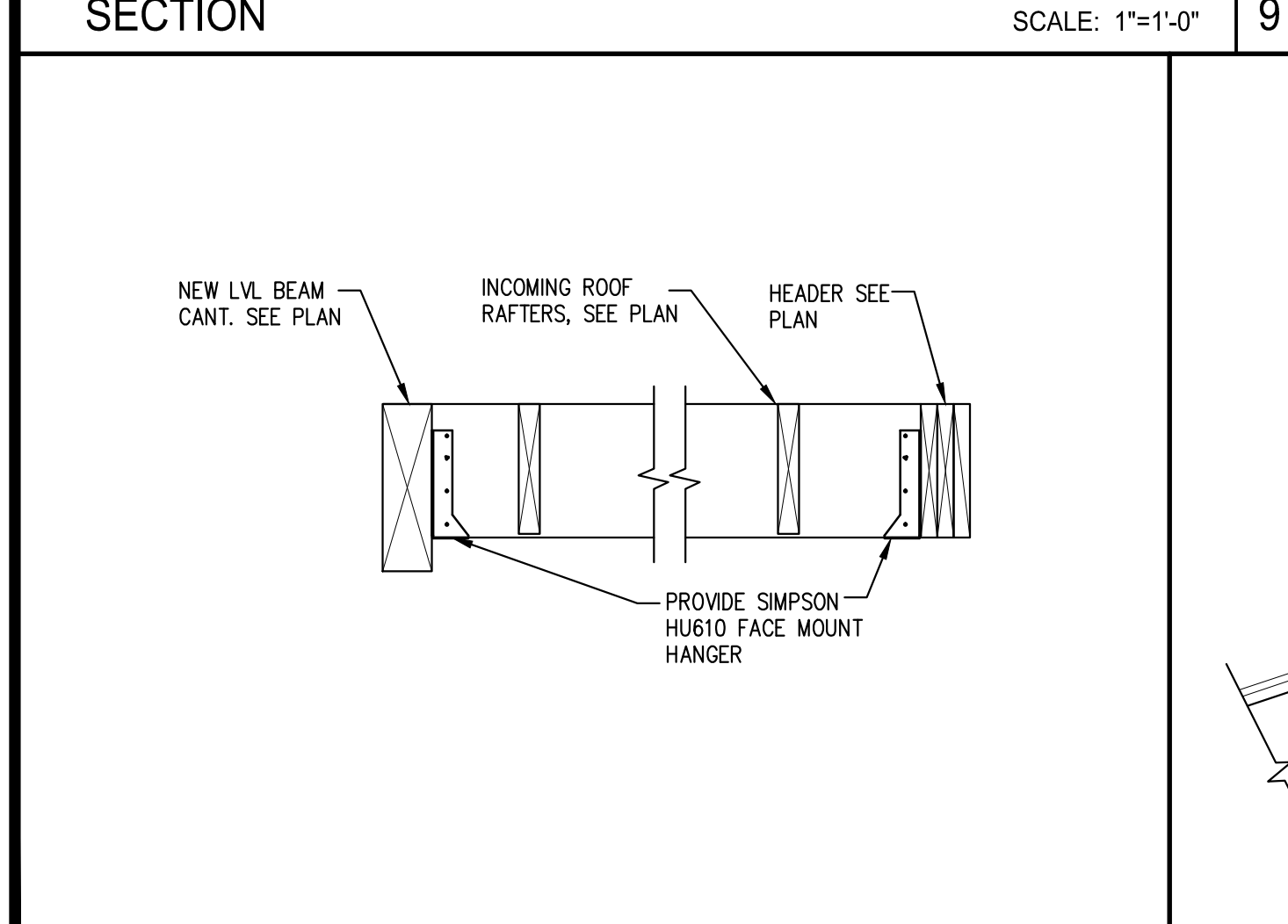
SECTION SCALE: 1"=1'-0" 10



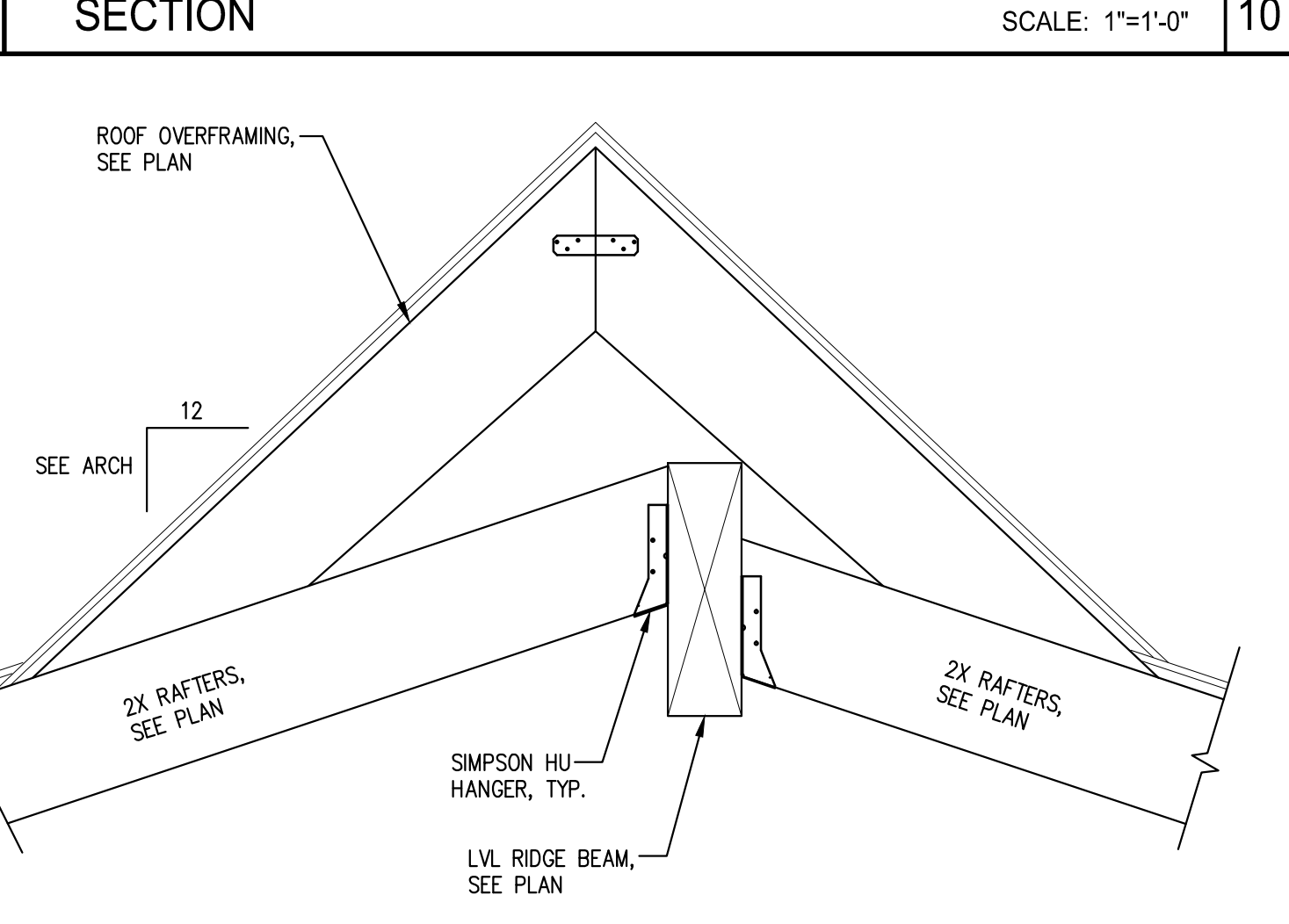
SECTION SCALE: 1"=1'-0" 11



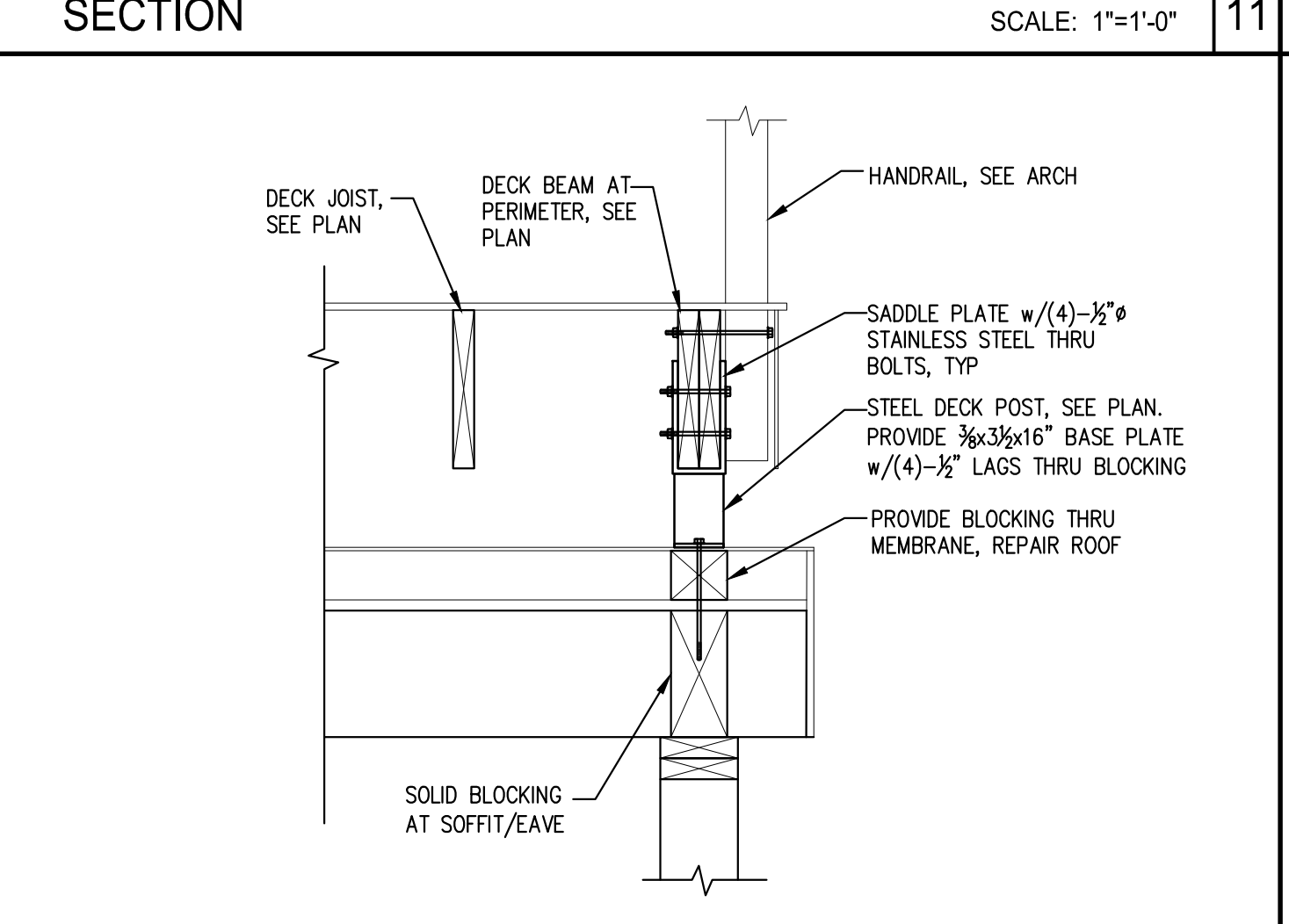
SECTION SCALE: 1"=1'-0" 12



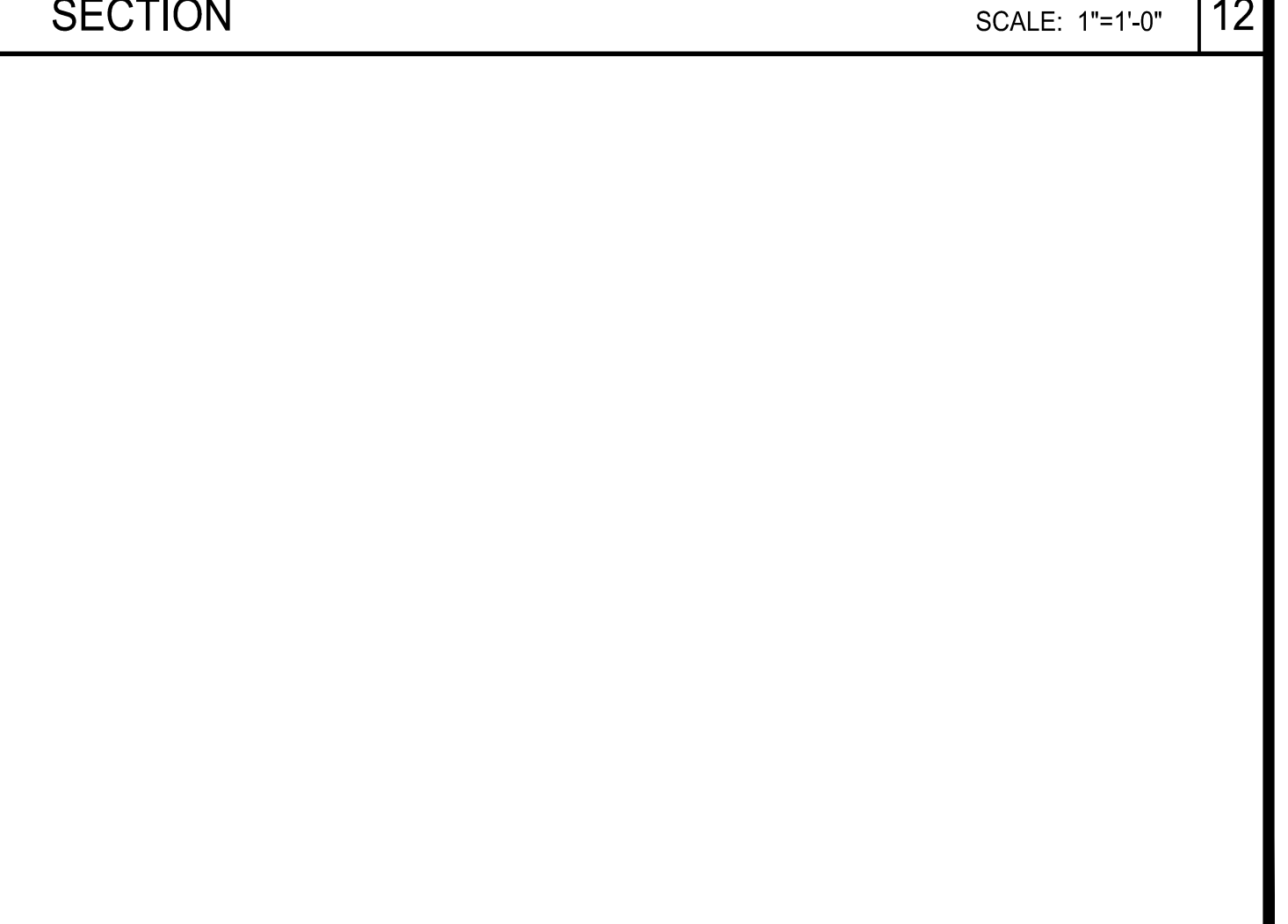
SECTION SCALE: 1"=1'-0" 13



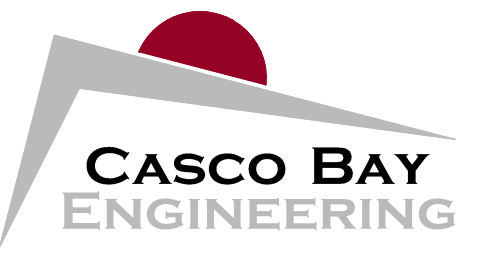
SECTION SCALE: 1"=1'-0" 14



SECTION SCALE: 1"=1'-0" 15

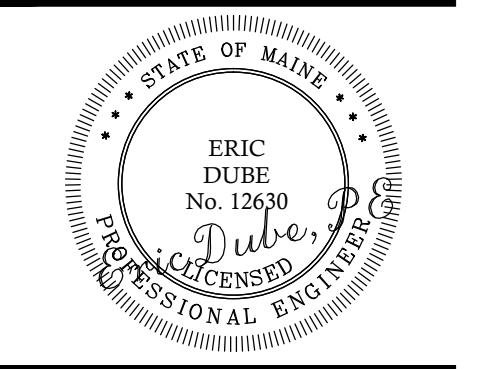


SECTION SCALE: 1"=1'-0" 16



424 Fore Street  
Portland, ME 04101  
Phone 207.842.2800  
Fax 207.842.2828  
www.cascobayengineering.com

CLIENT:  
WHIPPLE-CALLENDER  
ARCHITECTS  
136 PLEASANT AVE  
PORTLAND, ME 04103



32 TURNER ST  
PORTLAND, ME  
BUILDING RENOVATION

No.	ISSUED FOR PERMIT ONLY/NOT FOR CONSTRUCTION	DR.	BY	DATE
A				2-12-14

SHEET TITLE:

FRAMING DETAILS

DESIGNED: SJP  
DRAWN: SJP  
DATE: 1-15-14  
PROJECT NUMBER: 14-003

S300