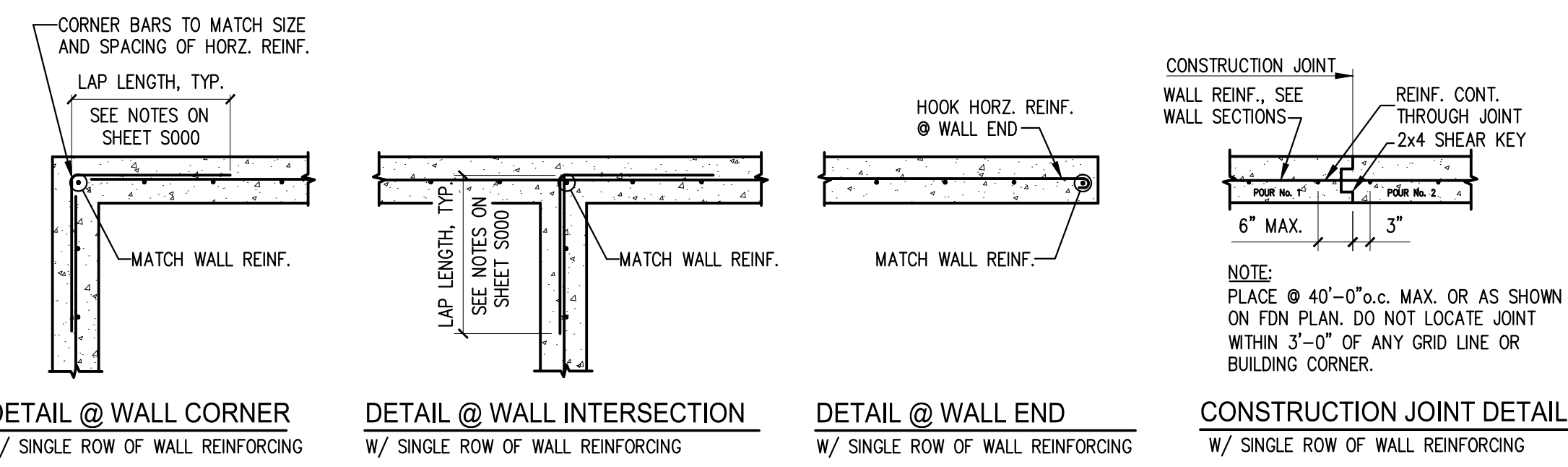


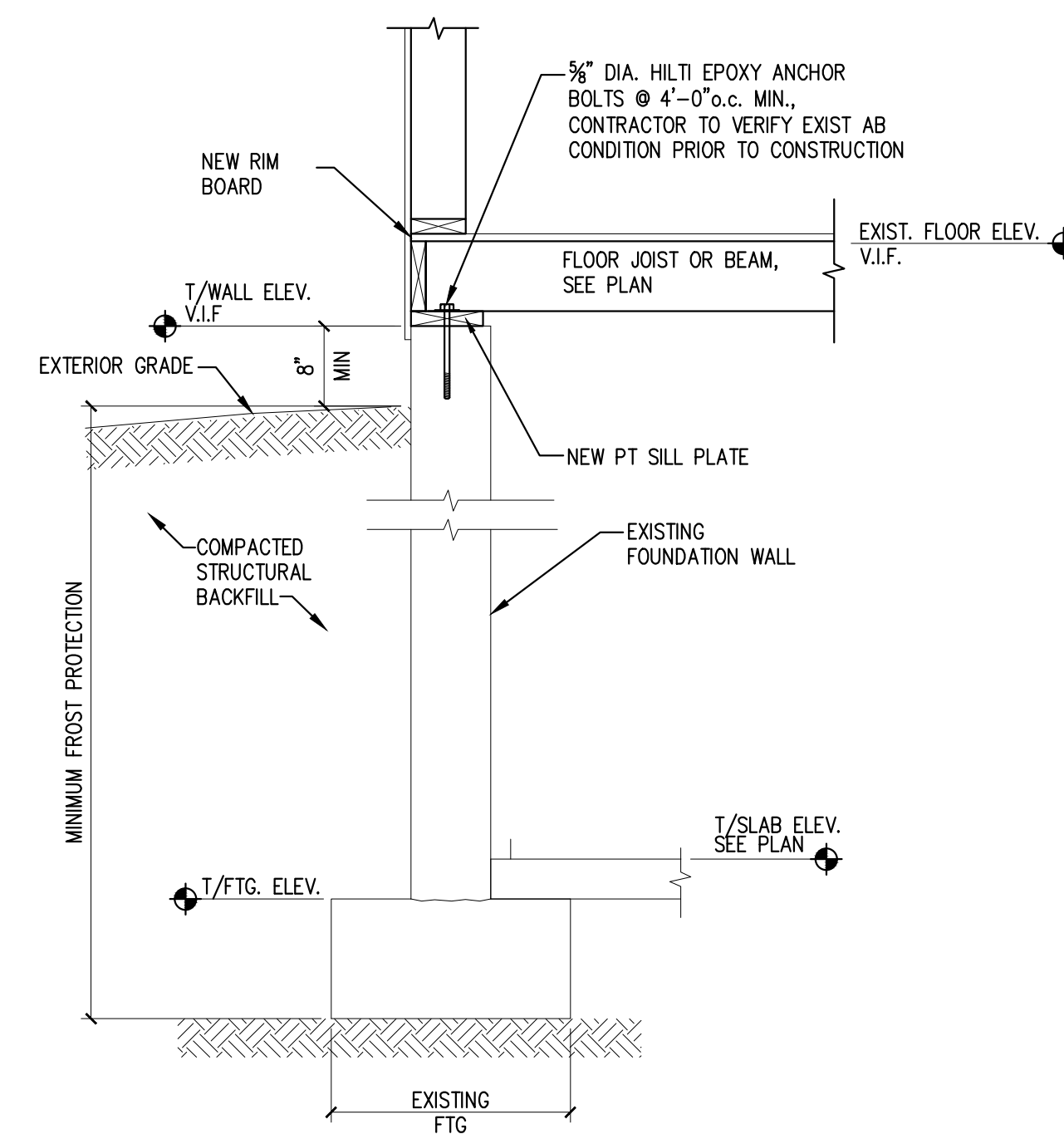
TYPICAL SLAB-ON-GRADE DETAILS

SCALE: NTS 1



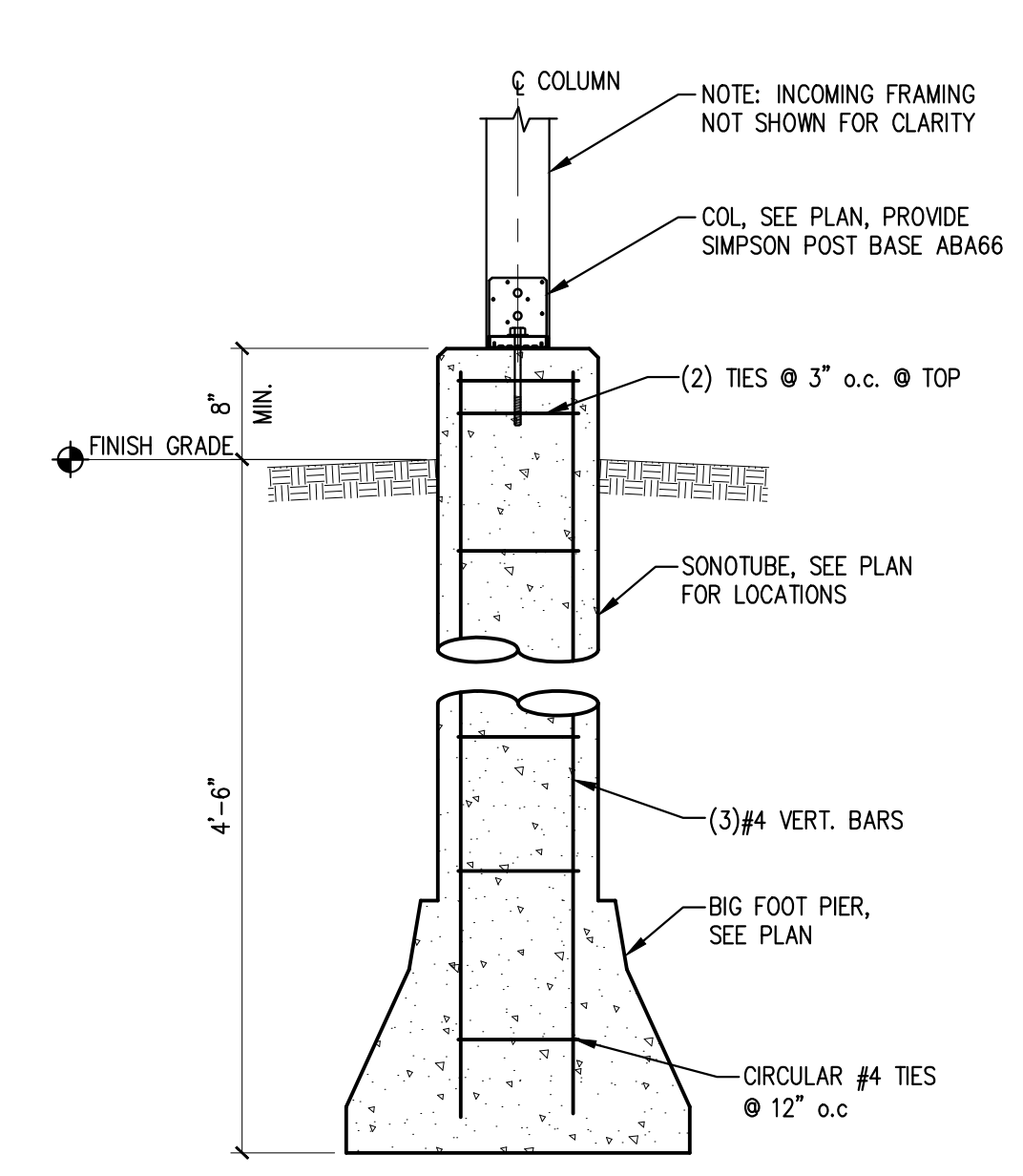
TYPICAL FOUNDATION WALL DETAILS

SCALE: NTS 2



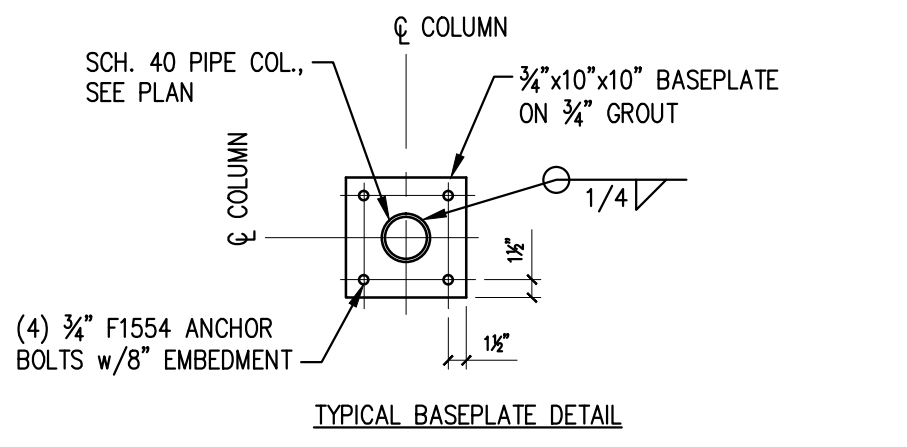
SECTION

SCALE: 3/4"=1'-0" 3

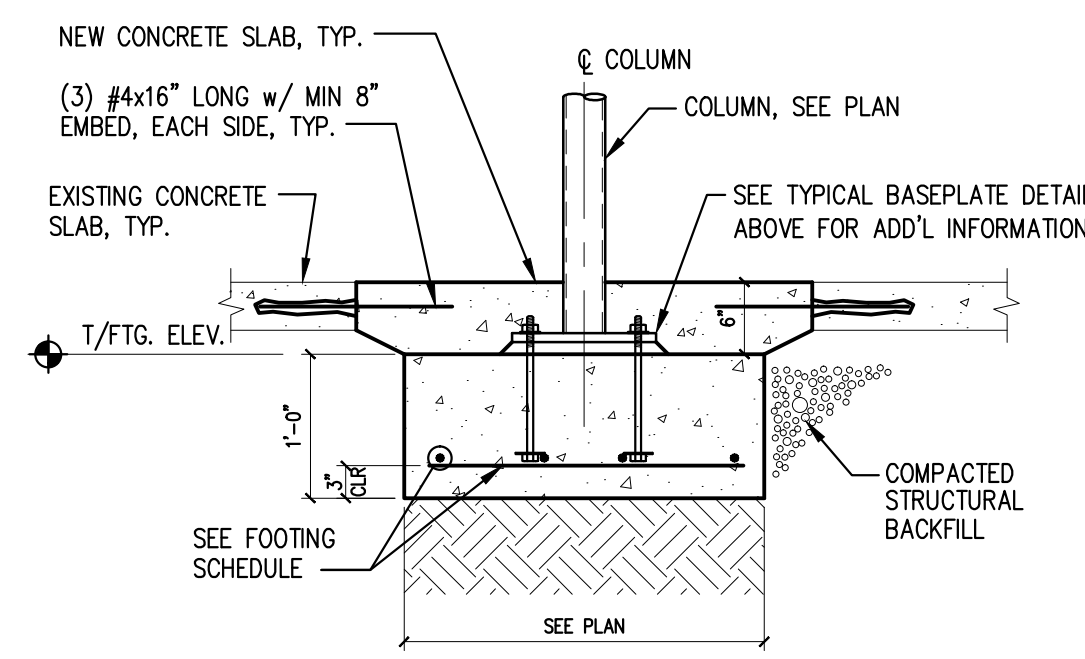


SECTION

SCALE: 3/4"=1'-0" 4



TYPICAL BASEPLATE DETAIL



SECTION

SCALE: 3/4"=1'-0" 5

SECTION

SCALE: 3/4"=1'-0" 6

SECTION

SCALE: 3/4"=1'-0" 7

SECTION

SCALE: 3/4"=1'-0" 8

SECTION

SCALE: 3/4"=1'-0" -

SECTION

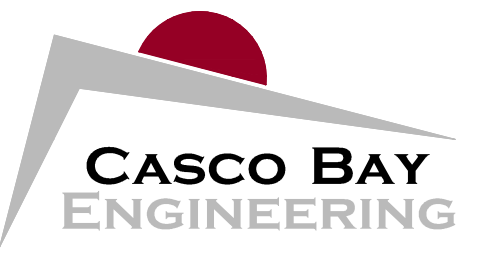
SCALE: 3/4"=1'-0" -

SECTION

SCALE: 3/4"=1'-0" -

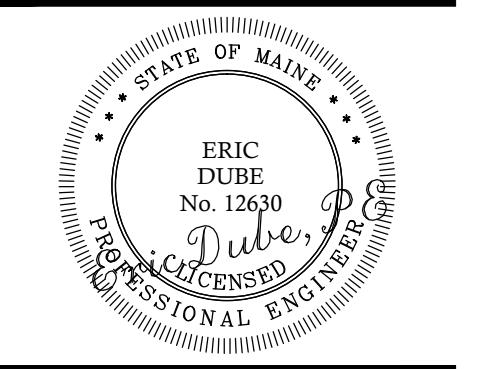
SECTION

SCALE: 3/4"=1'-0" -



424 Fore Street
 Portland, ME 04101
 Phone 207.842.2800
 Fax 207.842.2828
 www.cascobayengineering.com

CLIENT:
 WHIPPLE-CALLENDER ARCHITECTS
 136 PLEASANT AVE
 PORTLAND, ME 04103



32 TURNER ST
 32 TURNER ST
 PORTLAND, ME
 BUILDING RENOVATION

No.	DESCRIPTION	ISSUED FOR PERMIT ONLY NOT FOR CONSTRUCTION	DR.		DATE	
			BY	ED	BY	ED
A	ISSUED FOR PERMIT ONLY NOT FOR CONSTRUCTION					2-12-14

SHEET TITLE:

CONCRETE DETAILS

DESIGNED: SJP
 DRAWN: SJP
 DATE: 1-15-14
 PROJECT NUMBER: 14-003

S200

PRINTED: Feb 12, 2014