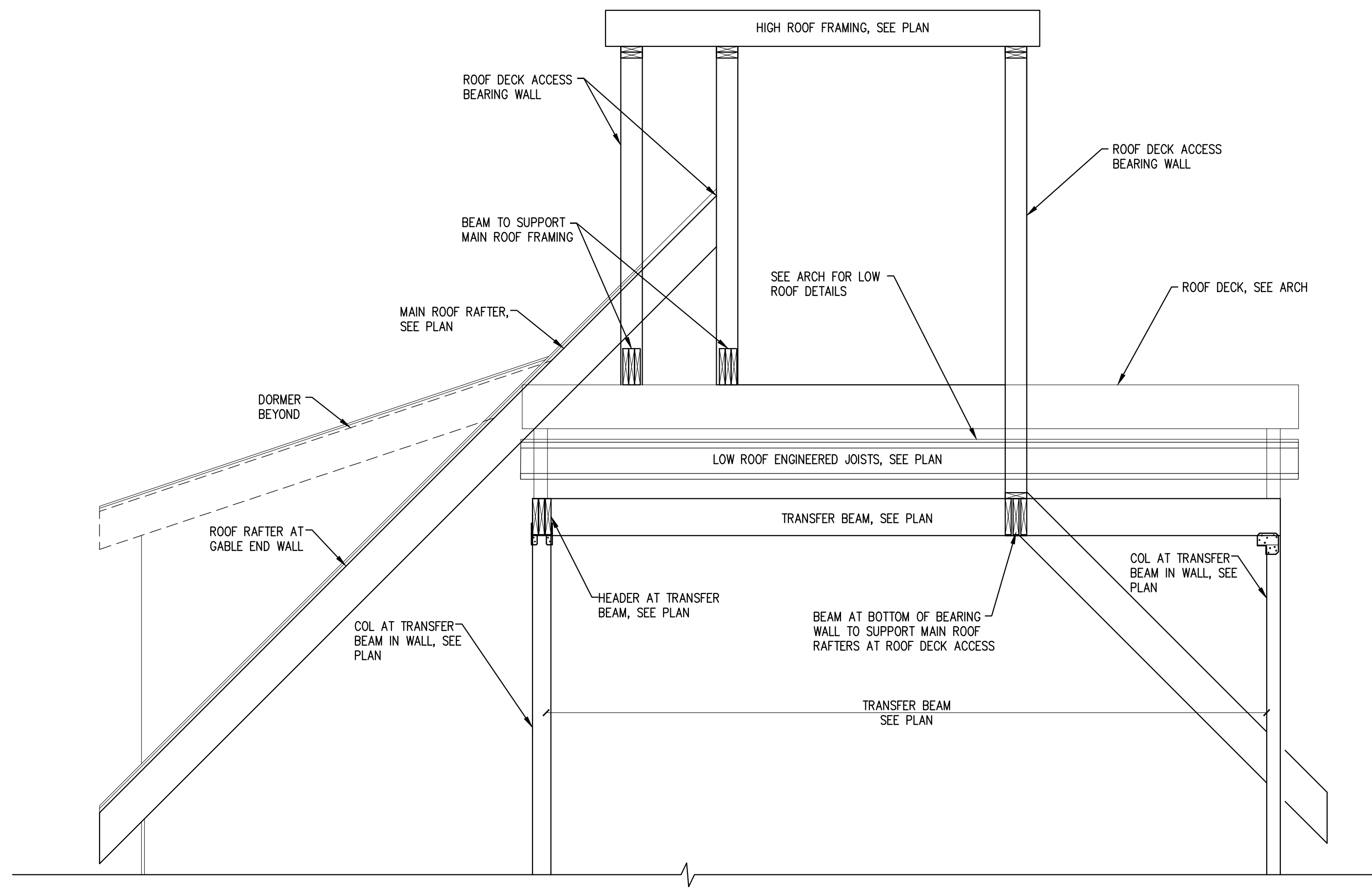


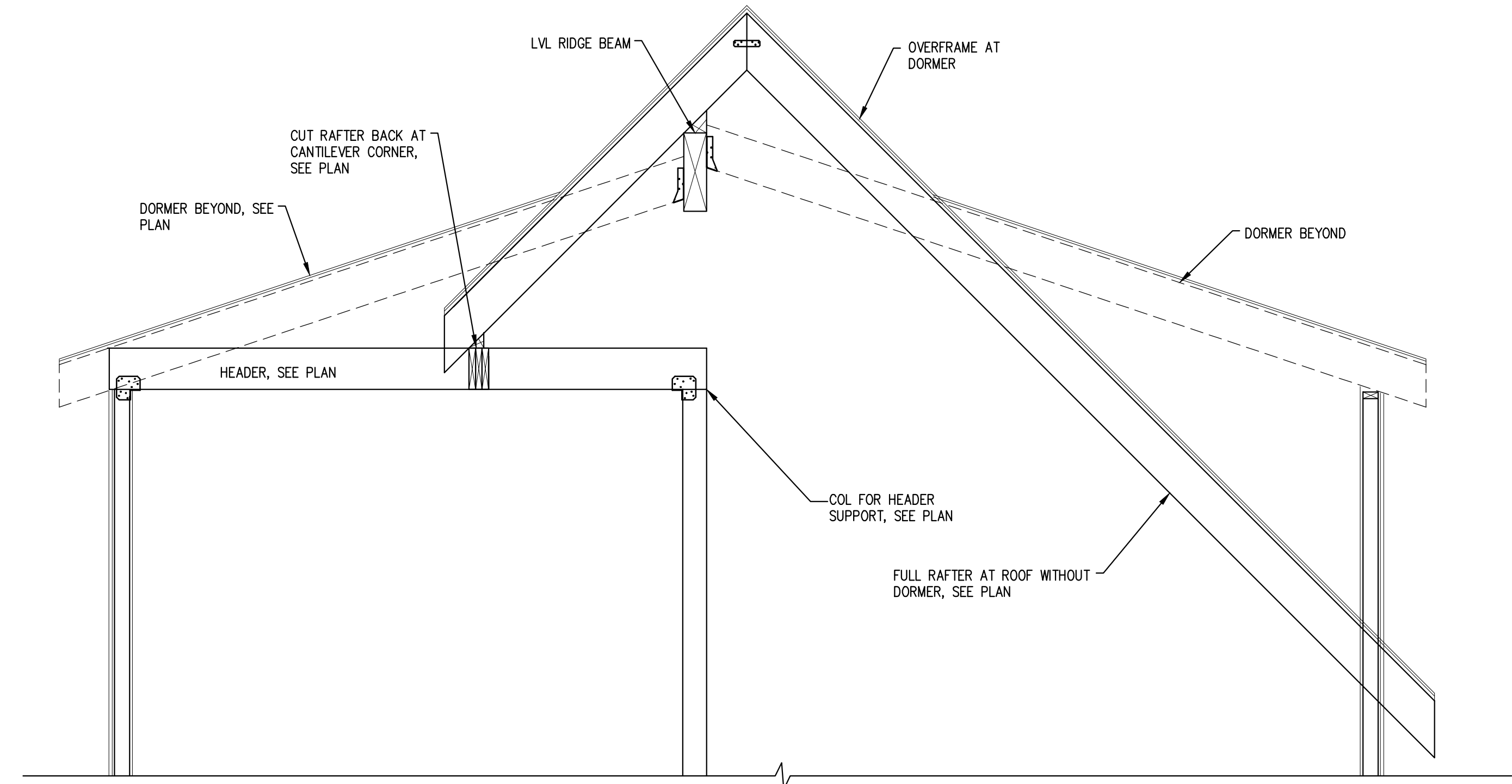
PRINTED: Feb 12, 2014



SECTION

SCALE: 1"=1'-0"

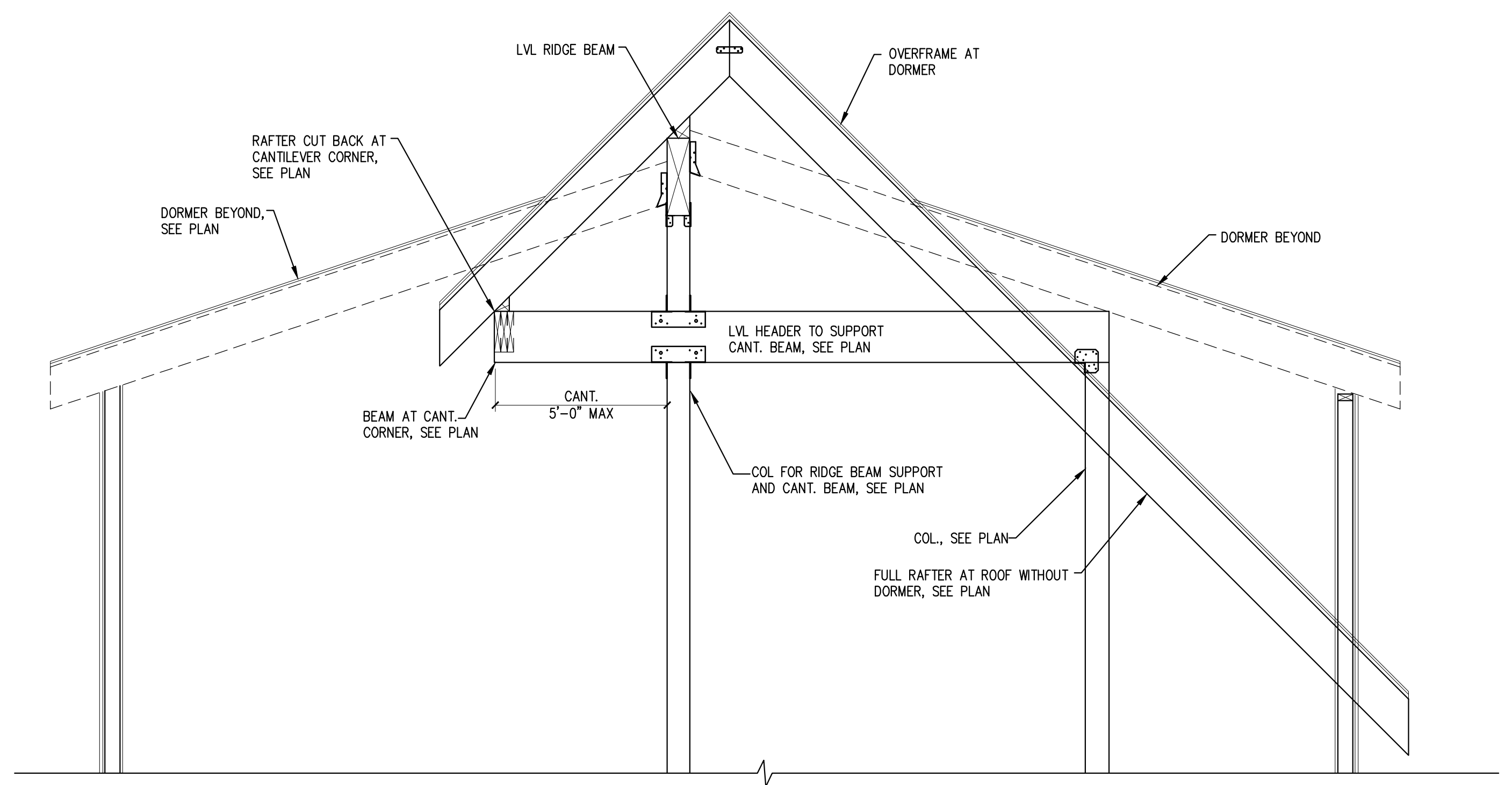
1



SECTION

SCALE: 1"=1'-0"

2



SECTION

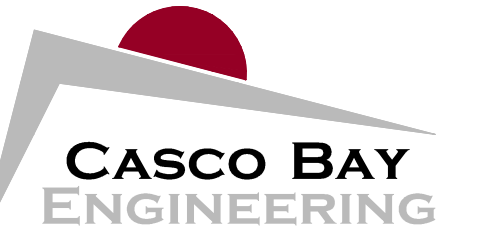
SCALE: 1/2"=1'-0"

3

SECTION

SCALE: 1"=1'-0"

-



424 Fore Street
Portland, ME 04101
Phone 207.842.2800
Fax 207.842.2828
www.cascobayengineering.com

CLIENT:
WHIPPLE-CALLENDER
ARCHITECTS
136 PLEASANT AVE
PORTLAND, ME 04103



32 TURNER ST
32 TURNER ST
PORTLAND, ME

BUILDING RENOVATION

No.	DESCRIPTION	ISSUED FOR PERMIT ONLY/NOT FOR CONSTRUCTION	DR.		CHK.		DATE	
			BY	SJP	ED	ED	ED	ED
A								2-12-14

SHEET TITLE:

FRAMING
DETAILS

DESIGNED: SJP
DRAWN: SJP
DATE: 1-15-14
PROJECT NUMBER: 14-003

S301