

For SI: 1 inch = 25.4 mm.

FIGURE 1—BRACKET DETAIL

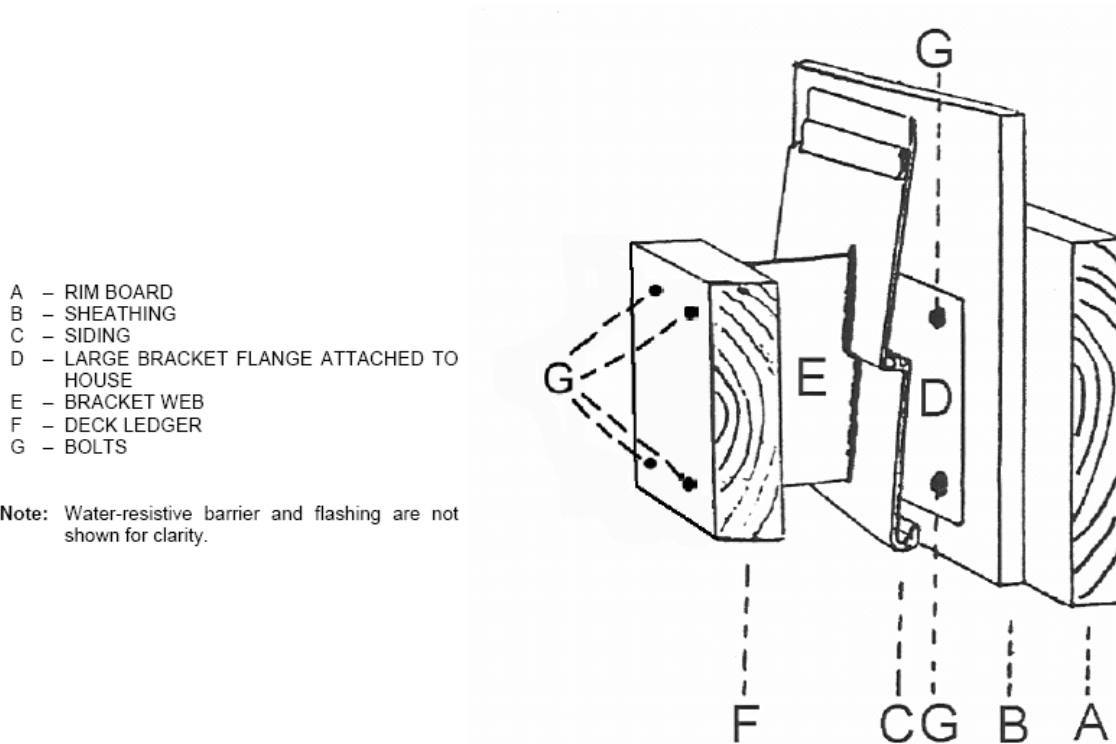


FIGURE 2—INSTALLATION DETAIL