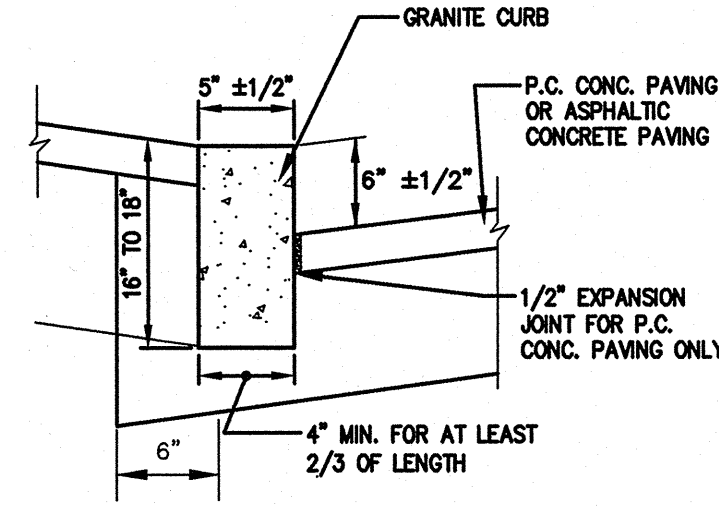


NOTE:
BORDER COURSE OF BRICK SHALL
BE MORTARED TO CONCRETE BASE

A BRICK SIDEWALK DETAIL

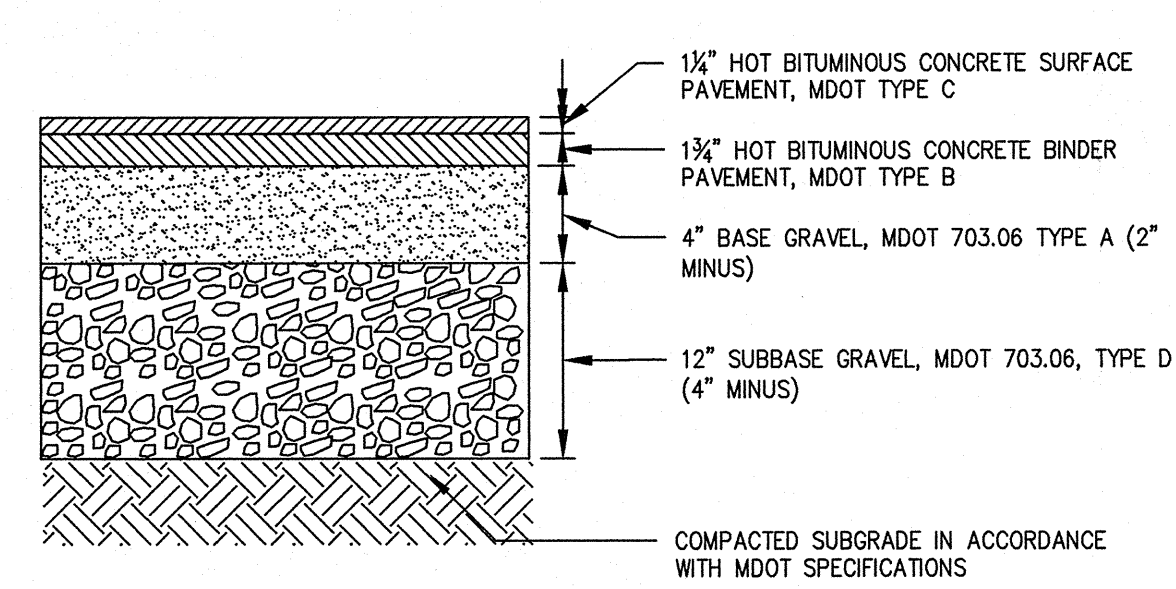
N.T.S.



NOTES:
1. VERTICAL GRANITE CURB TO MEET M&DOT STANDARD SPECIFICATIONS
2. JOINTS SHALL BE MORTARED
3. JOINT SEPARATION SHALL BE 1/4\"/>

B VERTICAL GRANITE CURB DETAIL

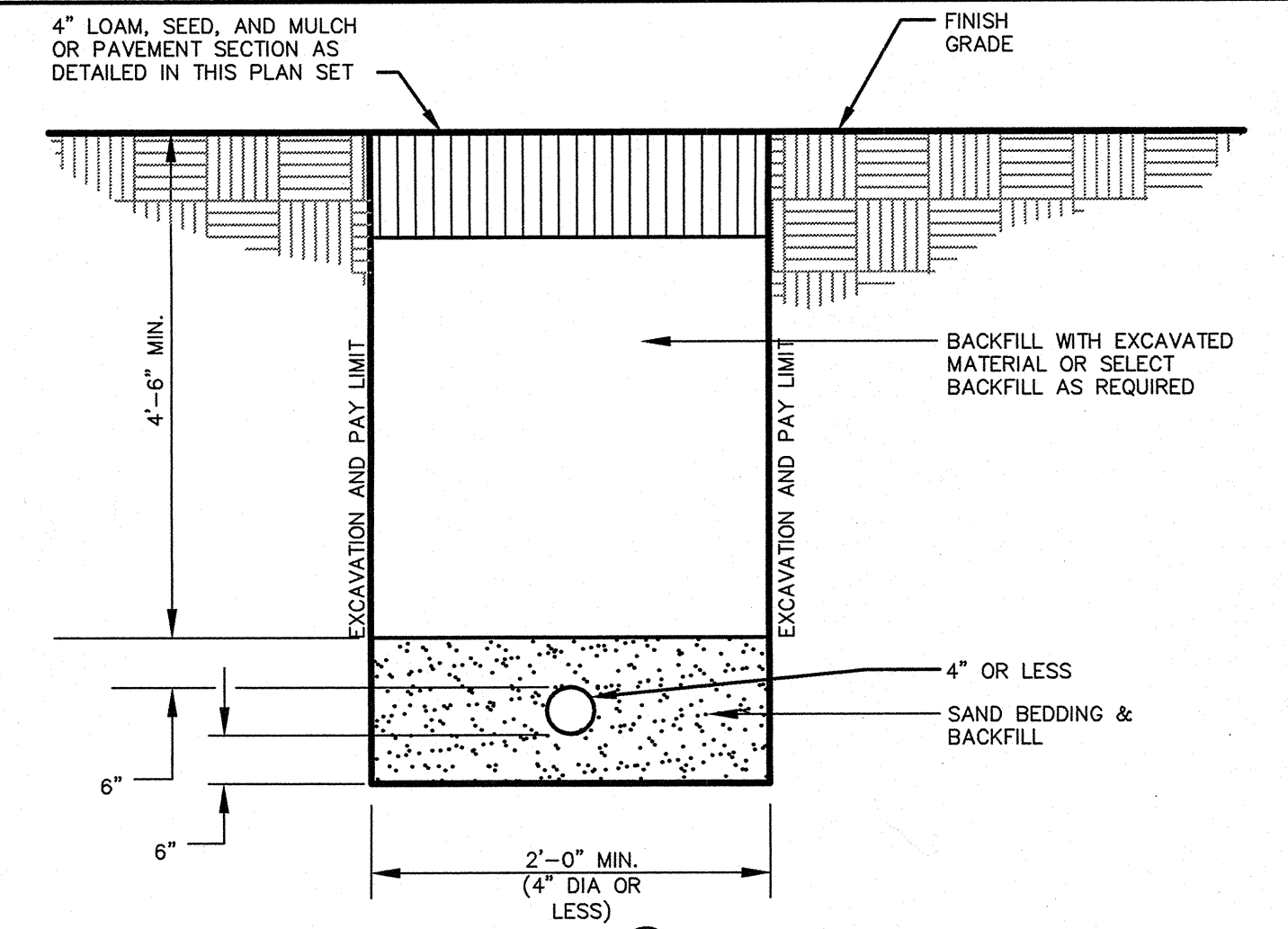
N.T.S.



NOTES:
1. APPLY TACK COAT BETWEEN BINDER AND SURFACE COURSES.
2. ALL MATERIALS AND COMPACTION SHALL CONFORM TO M&DOT SPECIFICATIONS, LATEST REVISION.

C STANDARD DUTY
BITUMINOUS CONCRETE PAVEMENT SECTION

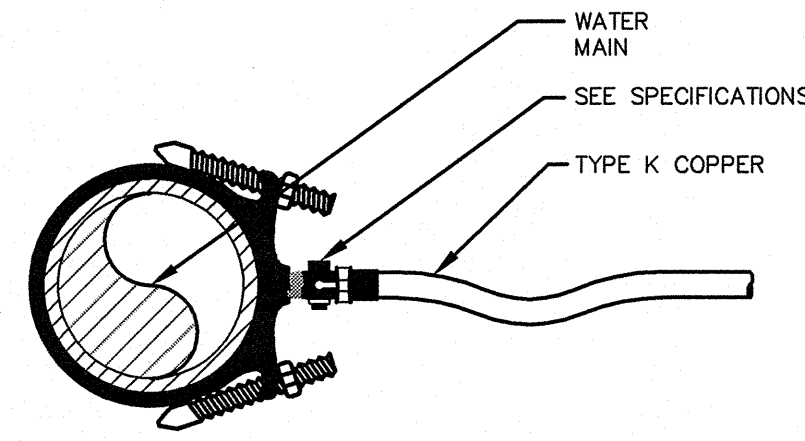
N.T.S.



SEE NOTE 3 IN THRUST BLOCK NOTES DETAIL **B**

D UTILITY TRENCH DETAIL

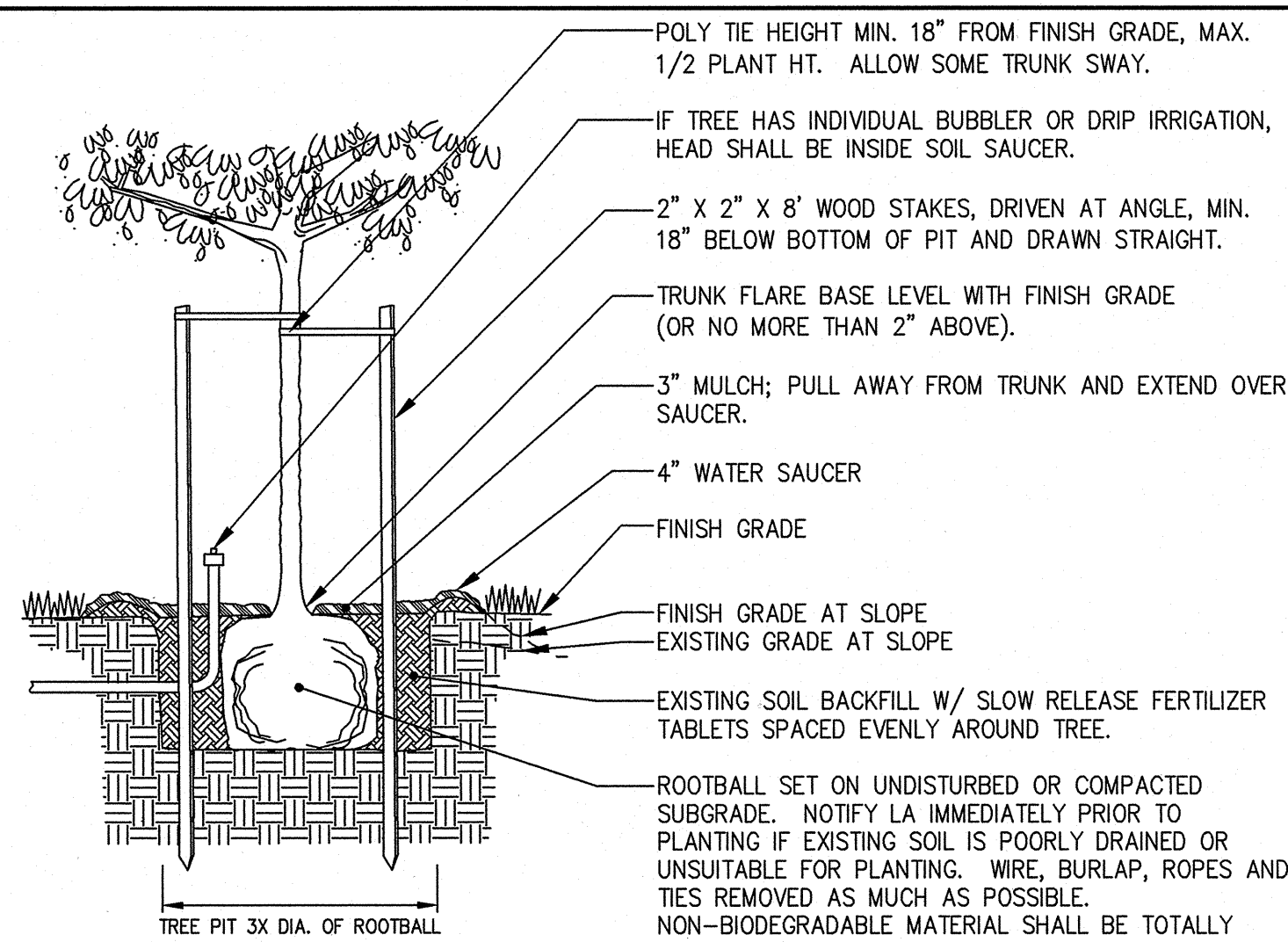
N.T.S.



NOTE:
SERVICE CONNECTIONS (DIRECT TAPS AND SERVICE CLAMPS) WILL BE
INSTALLED SO THAT THE OUTLET IS AT AN ANGLE OF NOT MORE THAN
45° ABOVE THE HORIZONTAL. ALWAYS PUT A BEND OR "GOOSENECK" IN
THE SERVICE LINE PRIOR TO CONNECTING TO PROVIDE FLEXIBILITY AND
"GIVE" TO COUNTERACT THE EFFECTS OF A LOAD DUE TO SETTLEMENT OR
EXPANSION AND/OR CONTRACTION.

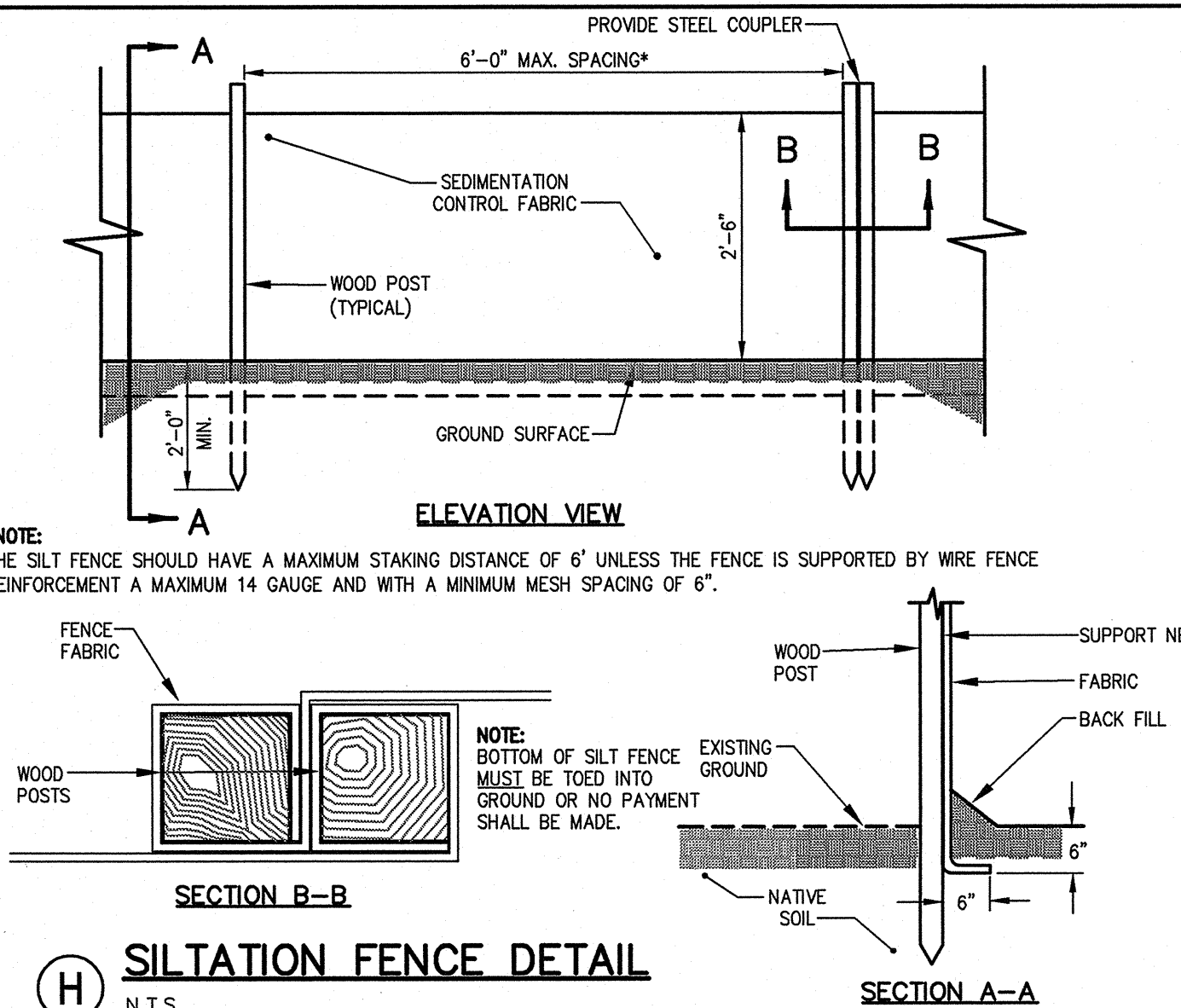
E WATER SERVICE DETAIL

N.T.S.



F TREE INSTALLATION DETAIL: <10' HT.

N.T.S.



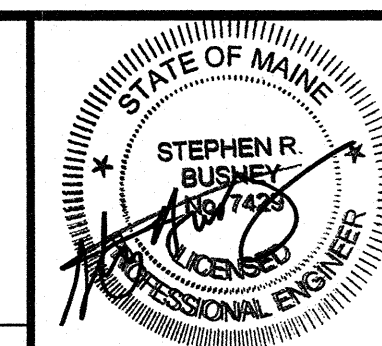
*NOTE:
THE SILT FENCE SHOULD HAVE A MAXIMUM STAKING DISTANCE OF 6' UNLESS THE FENCE IS SUPPORTED BY WIRE FENCE
REINFORCEMENT A MAXIMUM 14 GAUGE AND WITH A MINIMUM MESH SPACING OF 6".

NOTE:
BOTTOM OF SILT FENCE
MUST BE TOED INTO
GROUND OR NO PAYMENT
SHALL BE MADE.

H SILTATION FENCE DETAIL

N.T.S.

REV	DATE	DESCRIPTION	REVISIONS
1	12.04.07	SUBMITTED FOR SITE PLAN REVIEW	



P.E. STEPHEN R. BUSHEY
LIC. #7429

PROJECT
TWO-UNIT RESIDENTIAL HOUSE
43-45 TURNER STREET
PORTLAND, MAINE

SHEET TITLE
SITE DETAILS

CLIENT
CYRUS HAGGE
225 COMMERCIAL STREET
PORTLAND, MAINE

DH DeLUCA-HOFFMAN
ASSOCIATES, INC.
778 MAIN STREET, SUITE 8
SOUTH PORTLAND, ME 04106
207.776.1121
WWW.DELUCAHOFFMAN.COM

DRAWN: LECJ DATE: DEC. 2007
DESIGNED: SRB SCALE: N.T.S.
CHECKED: SRB JOB NO. 2795
FILE NAME: 2795-DET
SHEET **C-4**