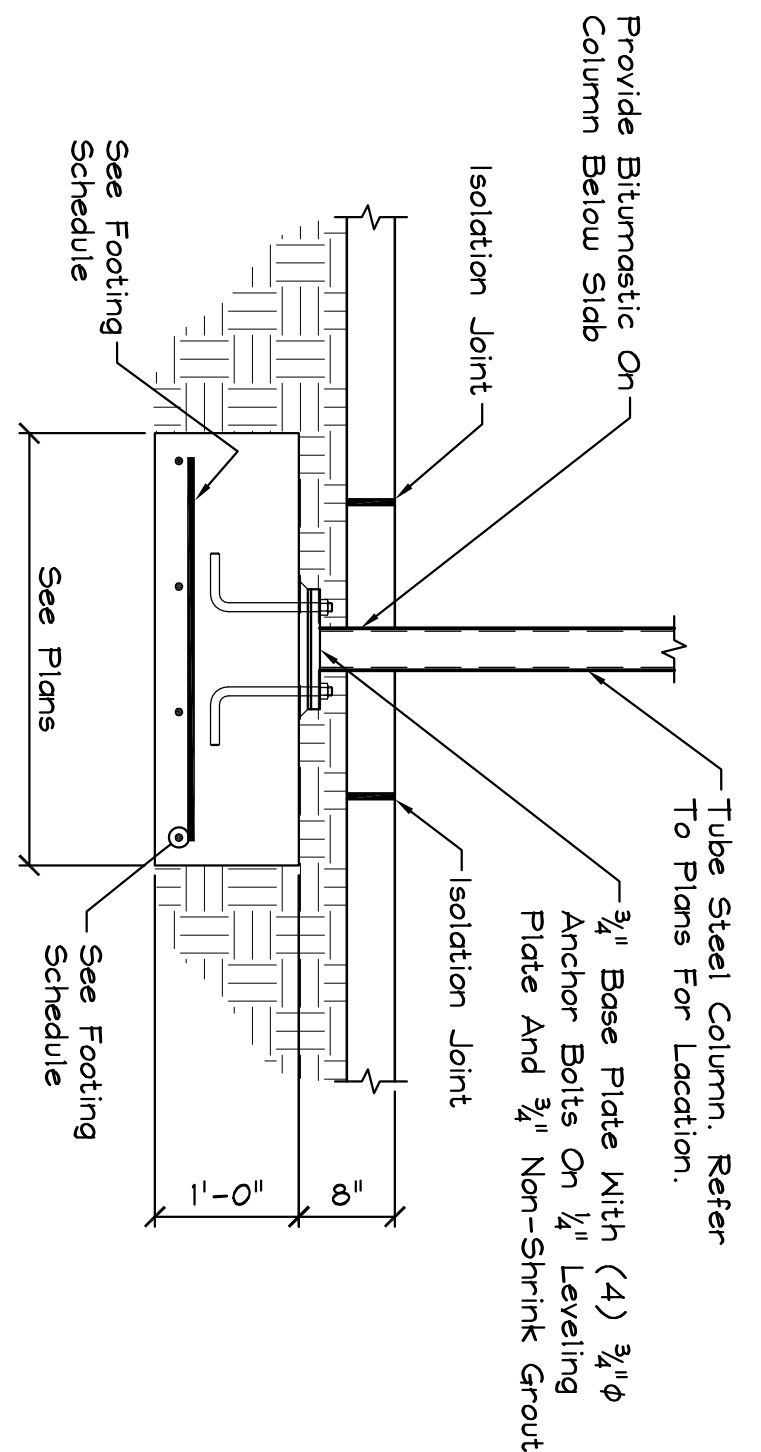
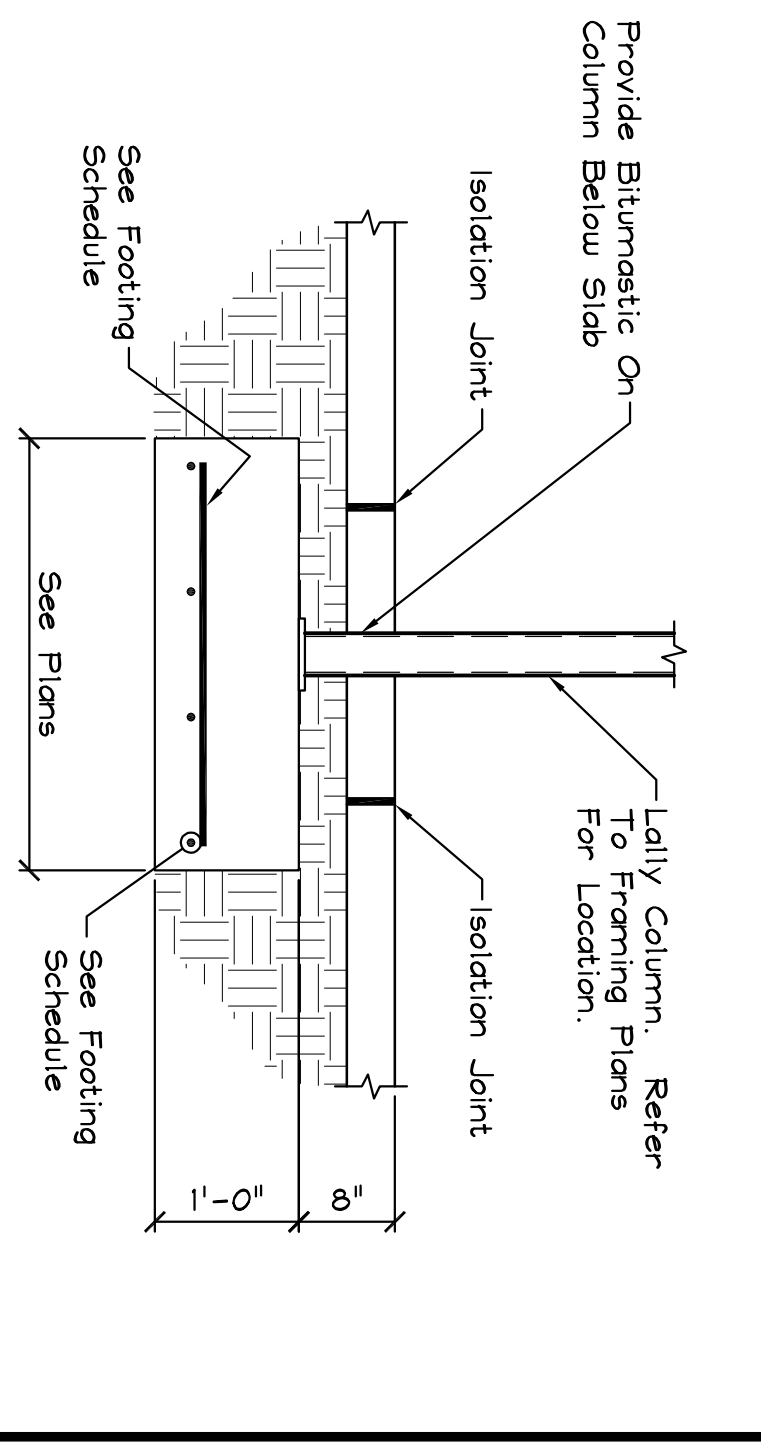


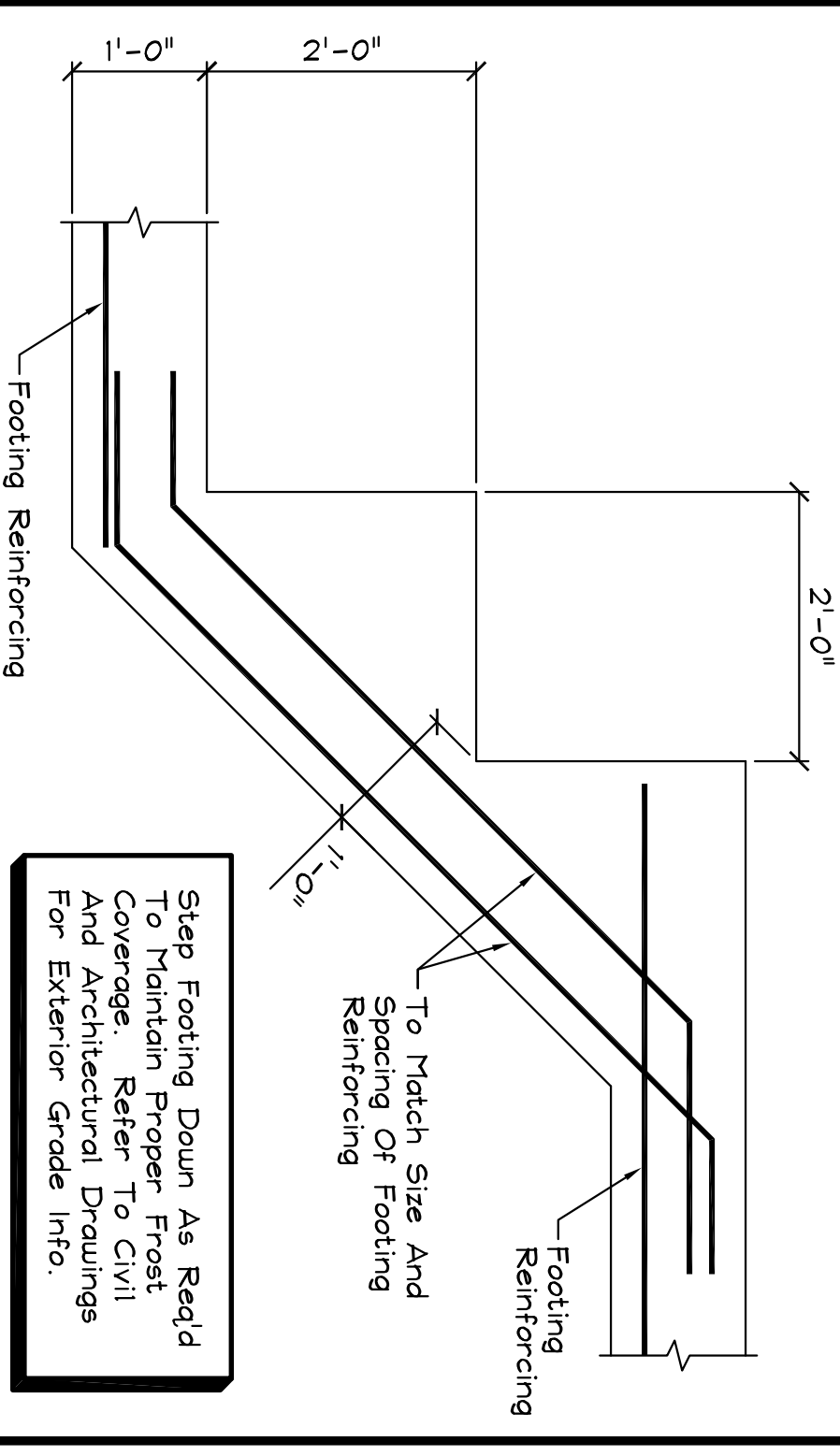
Reproduction of this document without the written consent of Shelley Engineering, Inc. is prohibited.



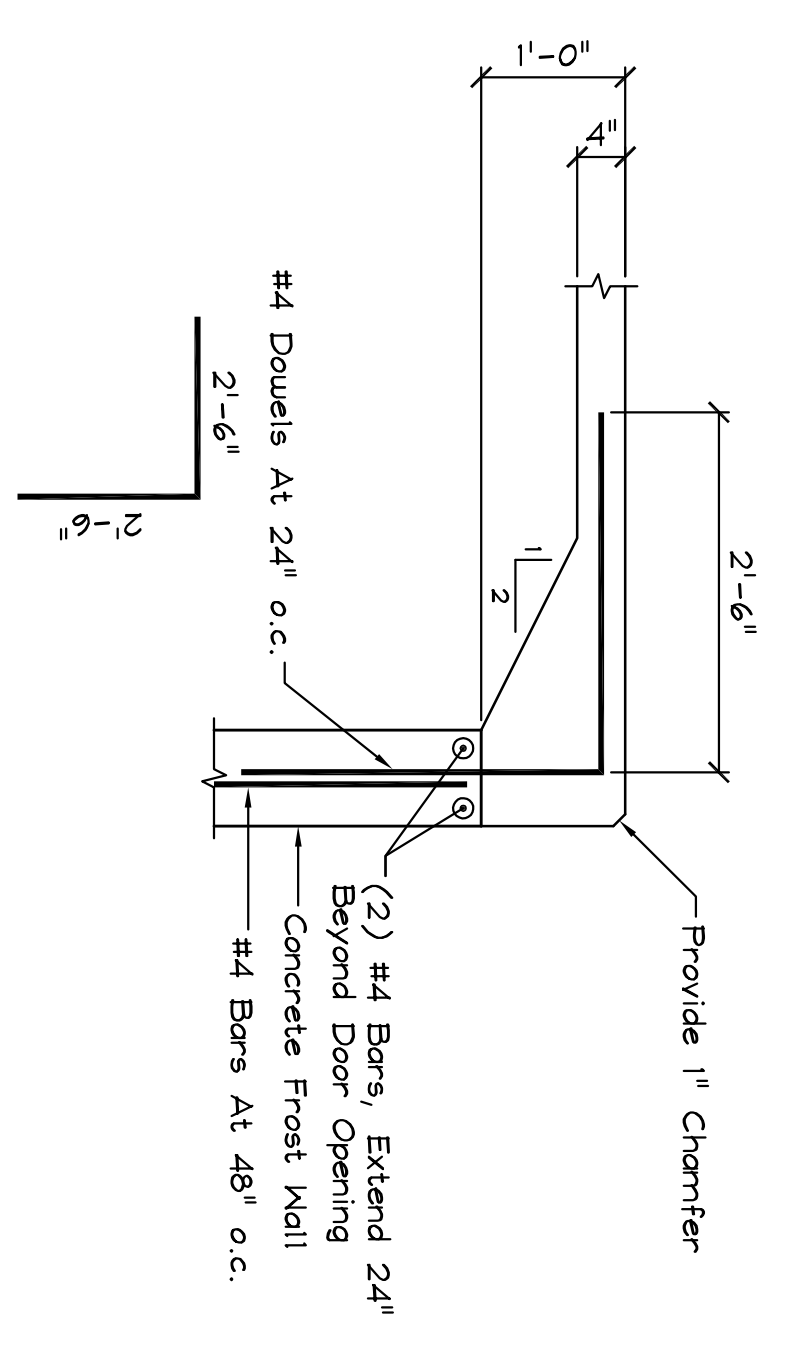
DETAIL - TYPICAL INTERIOR ISOLATED FOOTING
AT TUBE STEEL COLUMNS
SCALE: 3/4" = 1'-0"



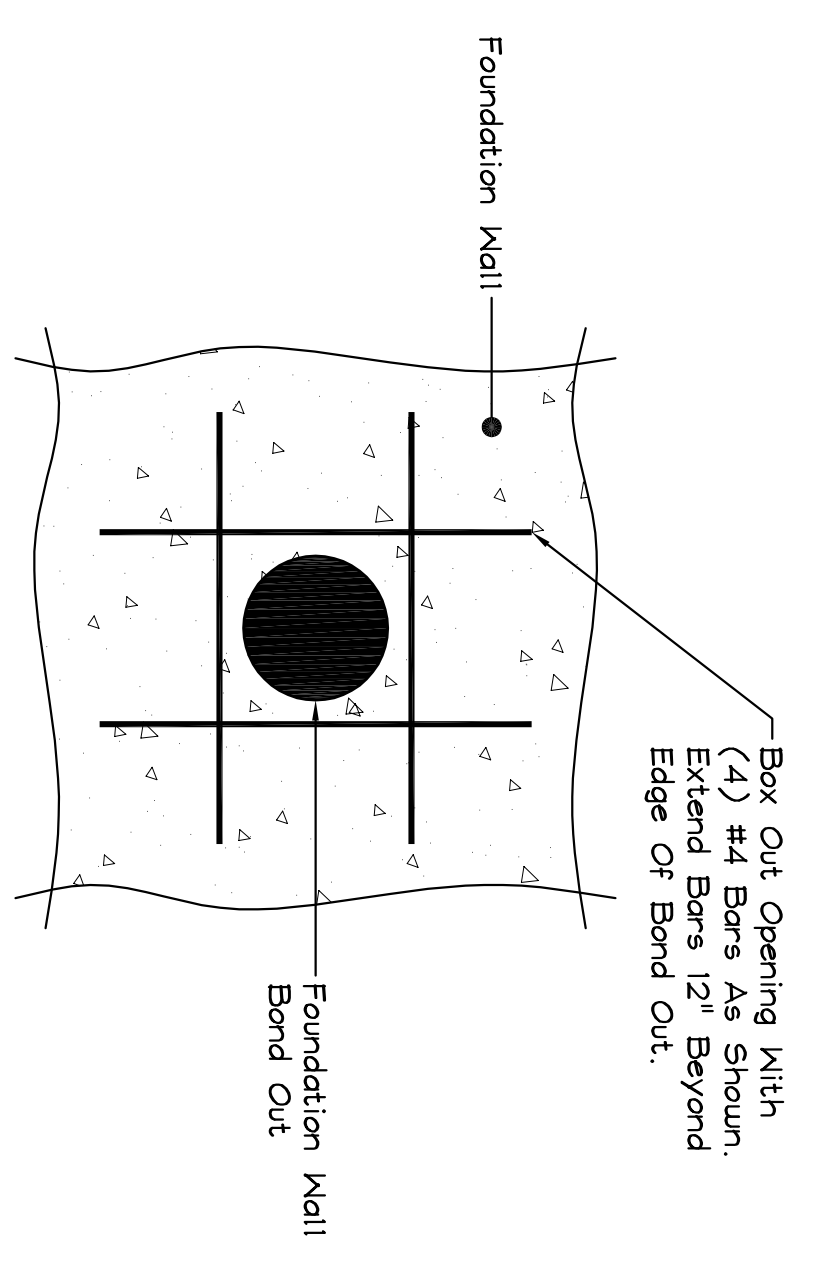
DETAIL - TYPICAL INTERIOR ISOLATED FOOTING
AT LALLY COLUMNS
SCALE: 3/4" = 1'-0"



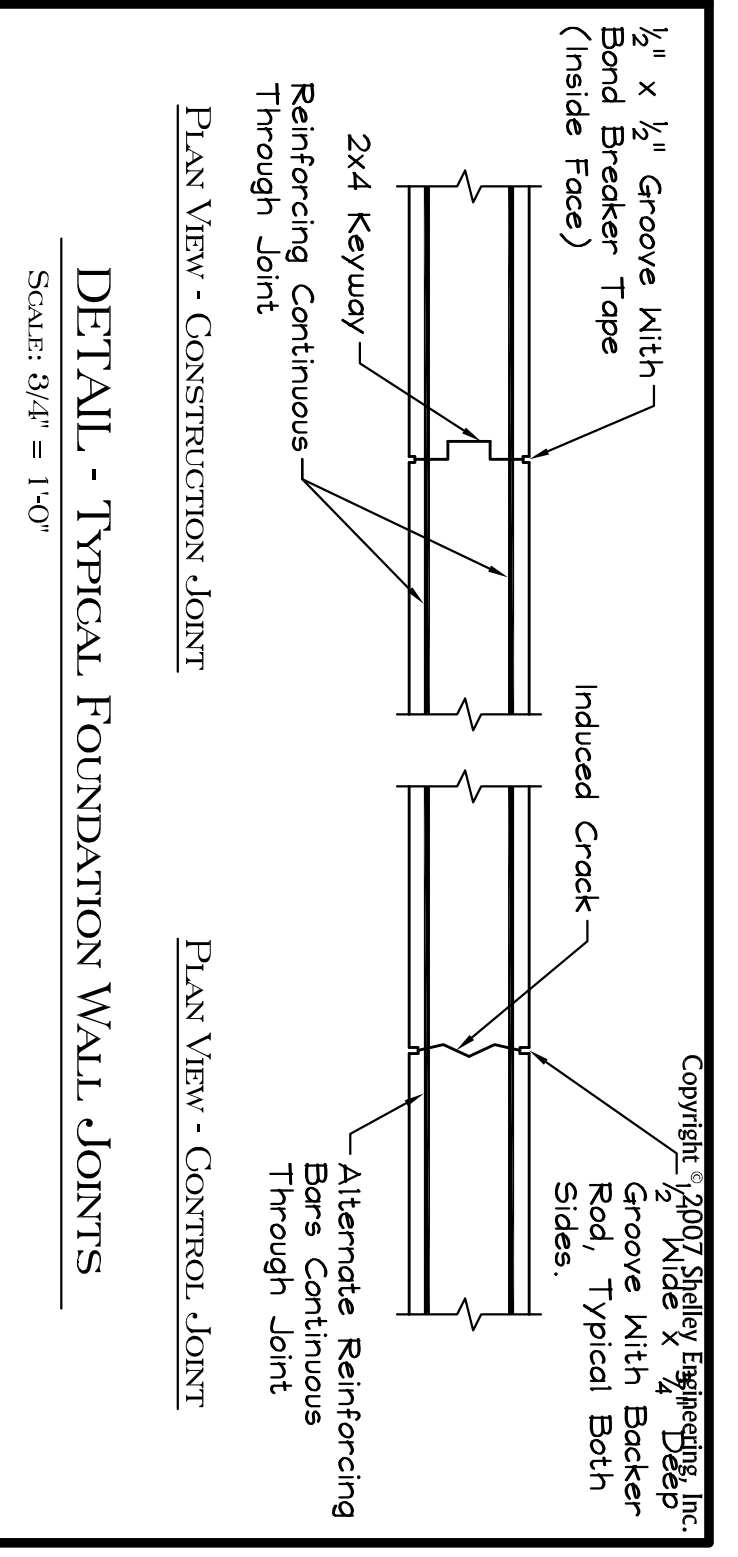
DETAIL - TYPICAL STEP FOOTING
SCALE: 3/4" = 1'-0"



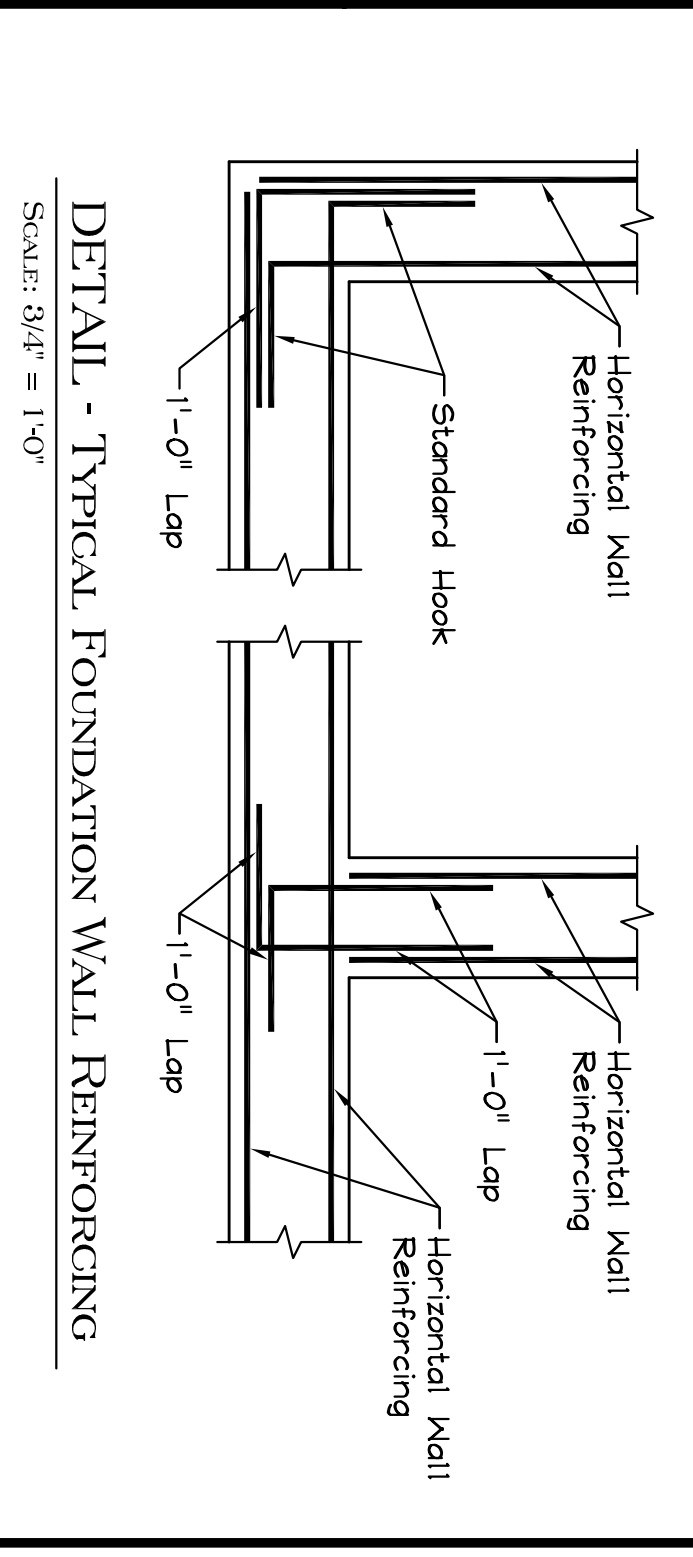
DETAIL - FOUNDATION WALL AT DOOR OPENING
SCALE: 3/4" = 1'-0"



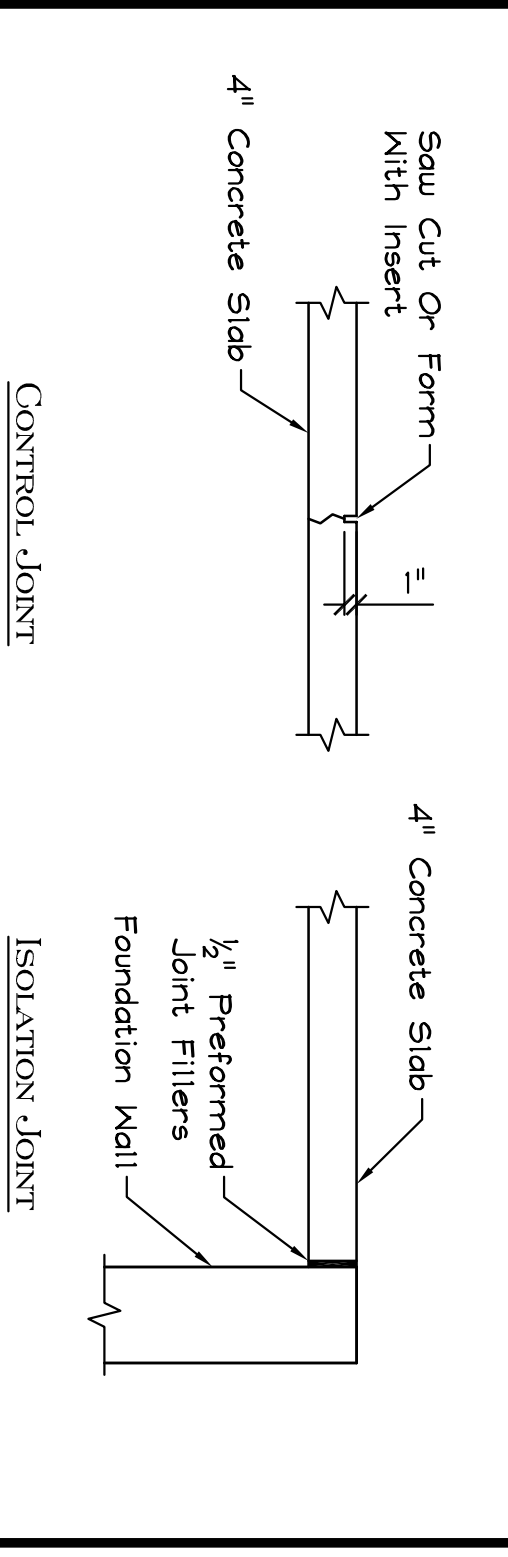
DETAIL - FOUNDATION WALL BOND OUT REINFORCING
12" O HOURS AND LARGER
SCALE: 3/4" = 1'-0"



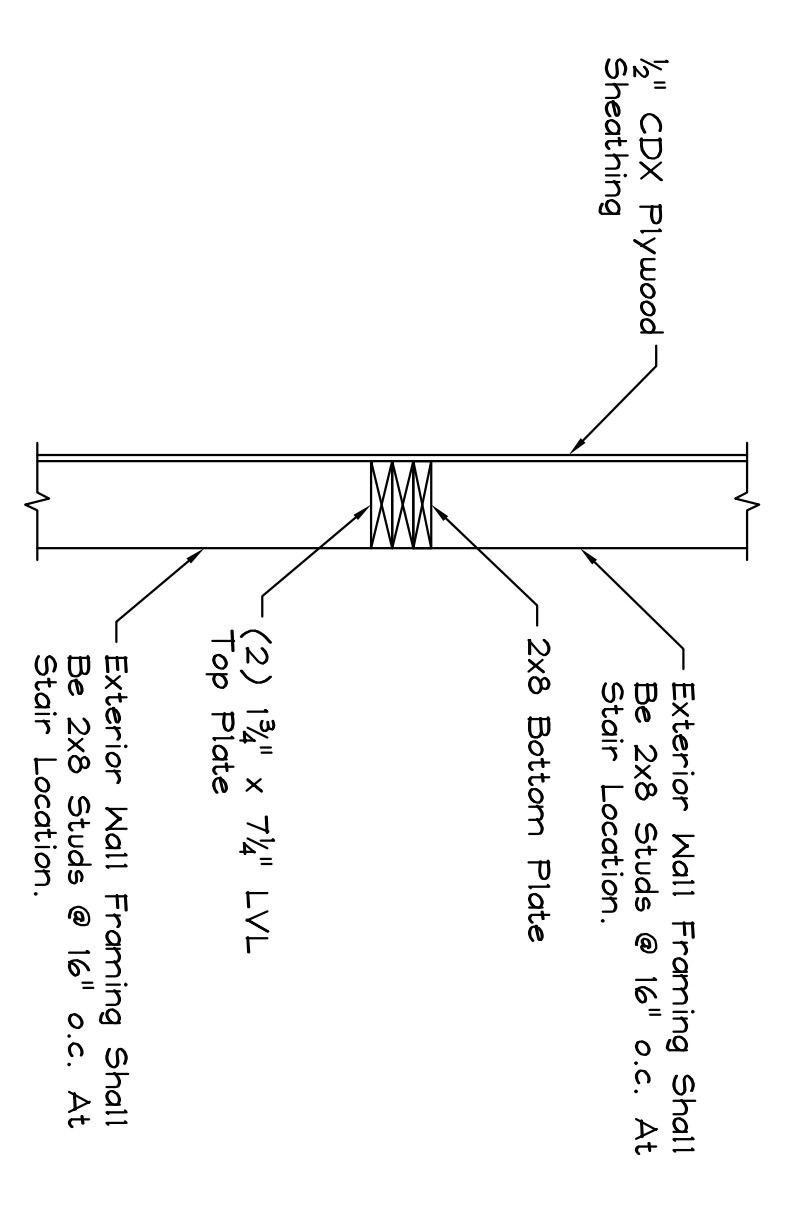
DETAIL - TYPICAL FOUNDATION WALL JOINTS
SCALE: 3/4" = 1'-0"



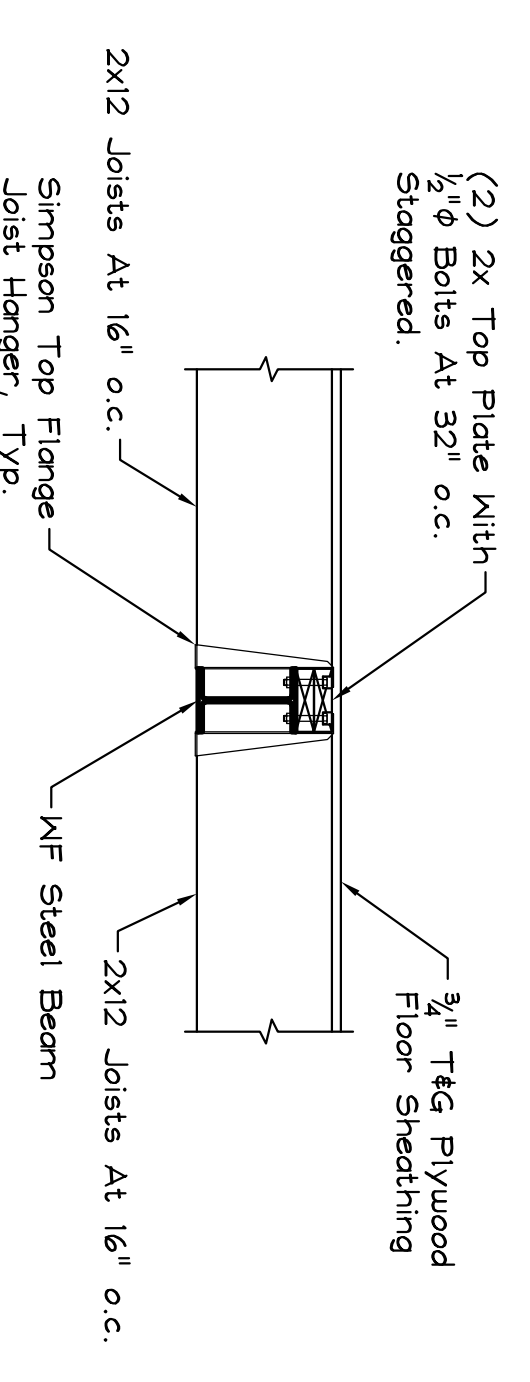
DETAIL - TYPICAL FOUNDATION WALL REINFORCING
SCALE: 3/4" = 1'-0"



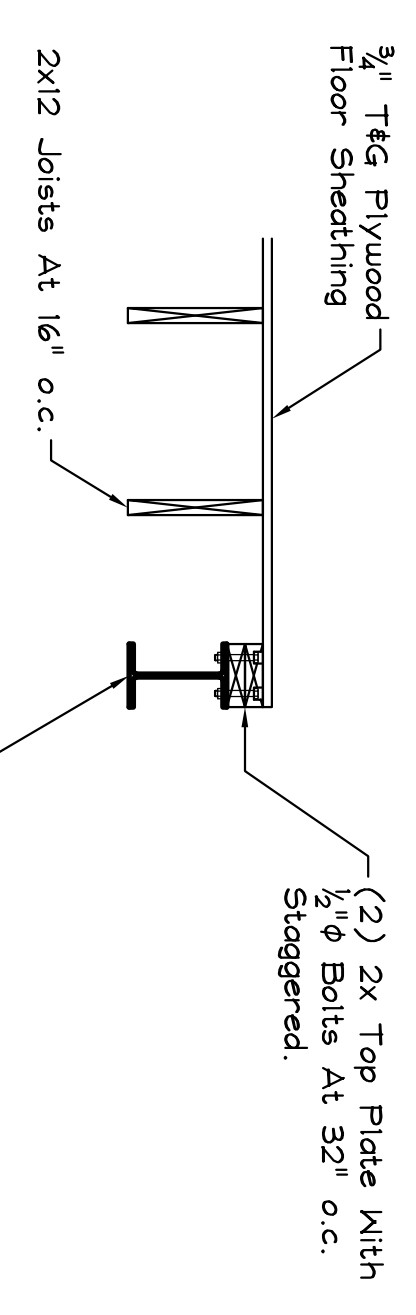
DETAIL - TYPICAL FLOOR SLAB JOINTS
SCALE: 3/4" = 1'-0"



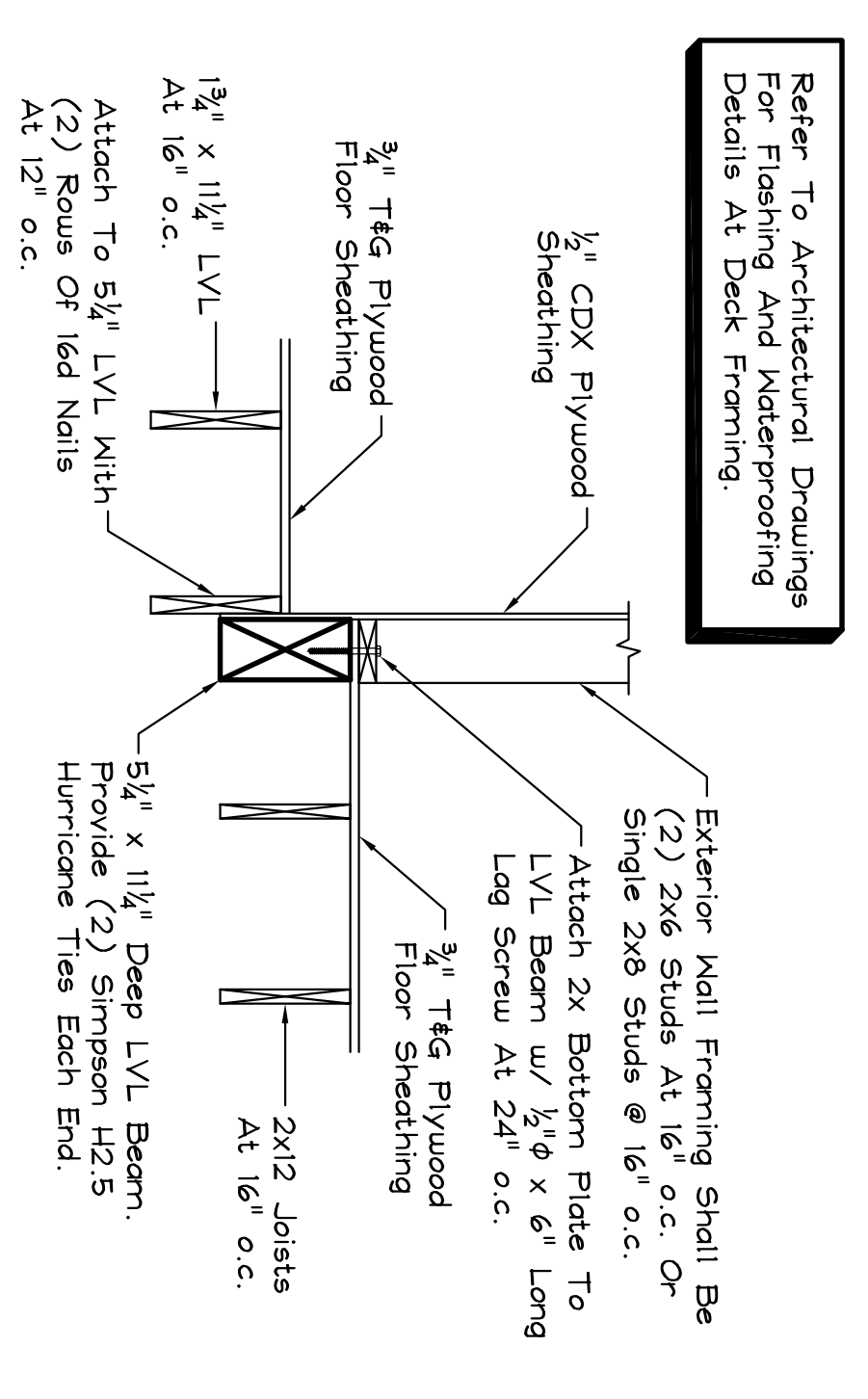
SECTION 8
SCALE: 3/4" = 1'-0"



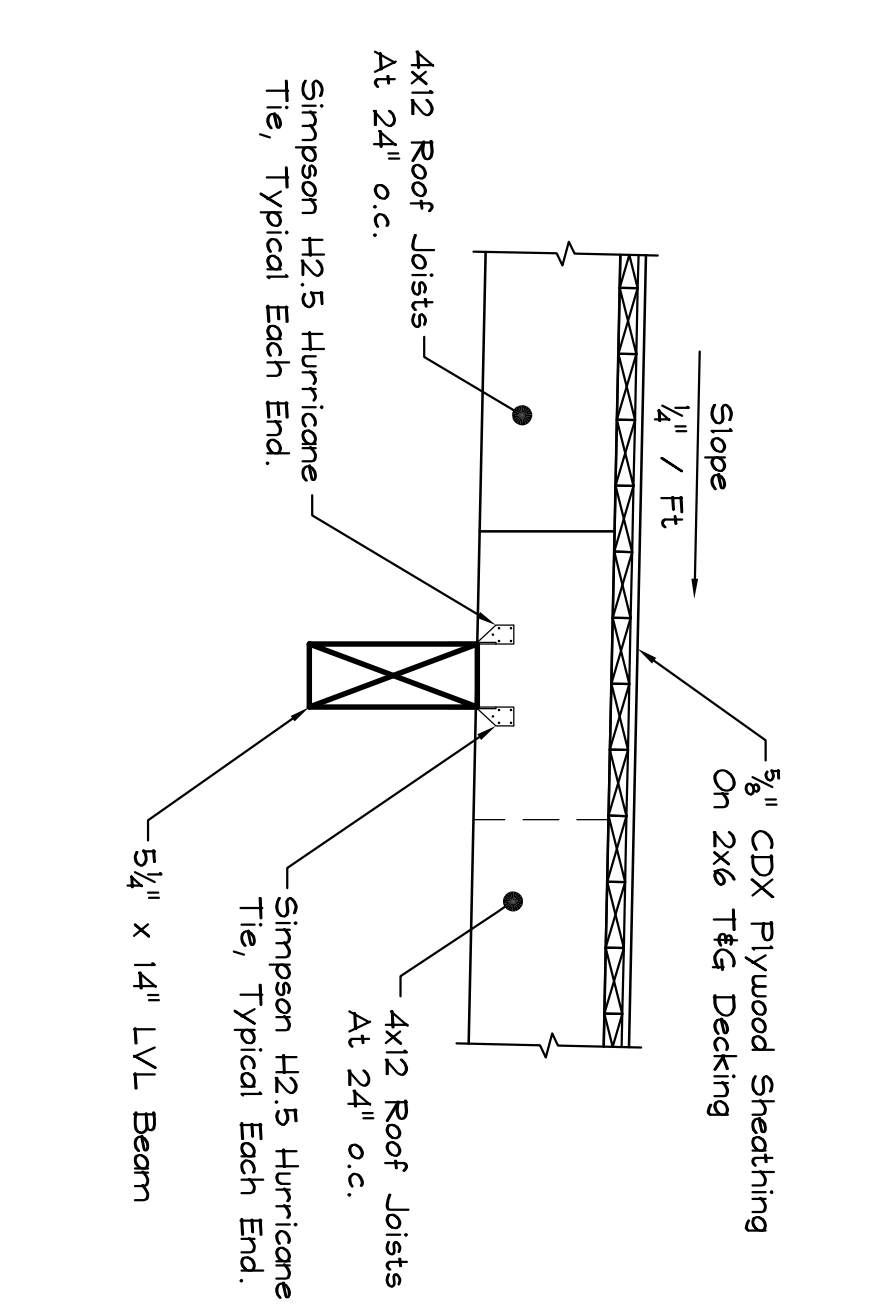
SECTION 9
SCALE: 3/4" = 1'-0"



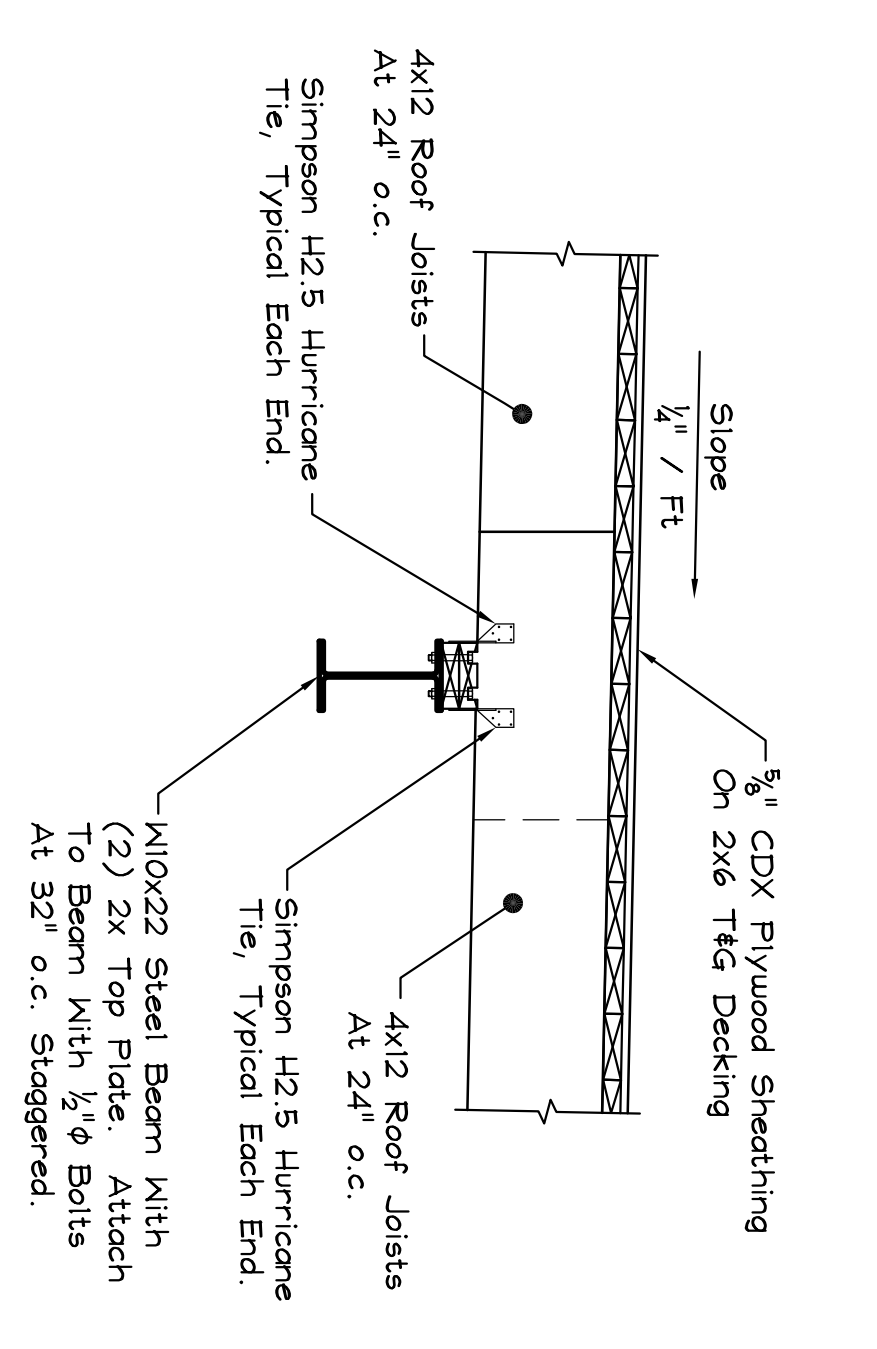
SECTION 10
SCALE: 3/4" = 1'-0"



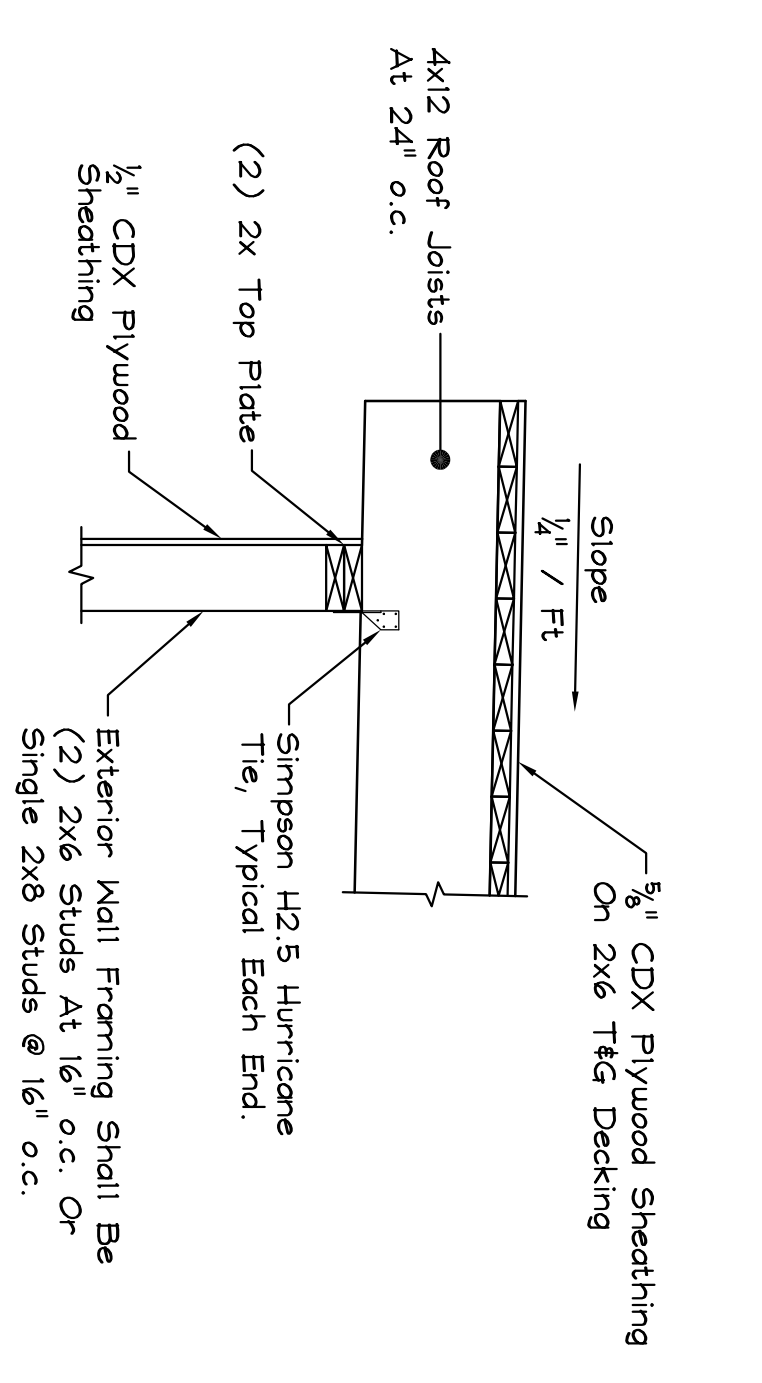
SECTION 11
SCALE: 3/4" = 1'-0"



SECTION 12
SCALE: 3/4" = 1'-0"



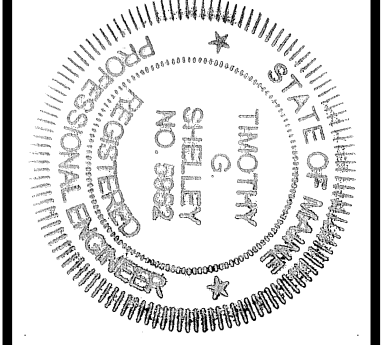
SECTION 13
SCALE: 3/4" = 1'-0"



SECTION 14
SCALE: 3/4" = 1'-0"

DRN BY:	PHF
CHKD BY:	TGS
DATE:	DECEMBER 7, 2007
SCALE:	AS NOTED
JOB NO.:	2007-147

THIS DRAWING IS ISSUED		
<input checked="" type="checkbox"/>	NOT FOR CONSTRUCTION	<input type="checkbox"/> FOR CONSTRUCTION
CURRENT REVISION		
#	DATE	DESCRIPTION
1	12-21-07	FOR PERMIT



SEI
SHELLEY ENGINEERING, INC.
STRUCTURAL CONSULTANTS
90 BRIDGE STREET
WESTBROOK, MAINE 04092
PHONE (207) 854-5465
FAX (207) 854-8706
WWW.SHELLEYENGINEERING.COM

PORTLAND

HAGGE RESIDENCE

MAINE

SHEET TITLE:
SECTIONS AND DETAILS
S7 OF 8
CADP 2007-147