

MARK  
MUELLER  
ARCHITECTS

A.I.A.  
100 Commercial Street  
Suite 205  
Portland, Maine 04101  
Phone: 207.774.9057  
Fax: 207.773.3851  
Email: mark@muellerarchitects.com

©COPYRIGHT  
MUELLER ARCHITECTS, LLC

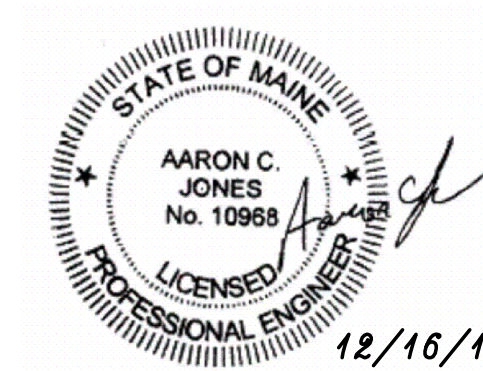
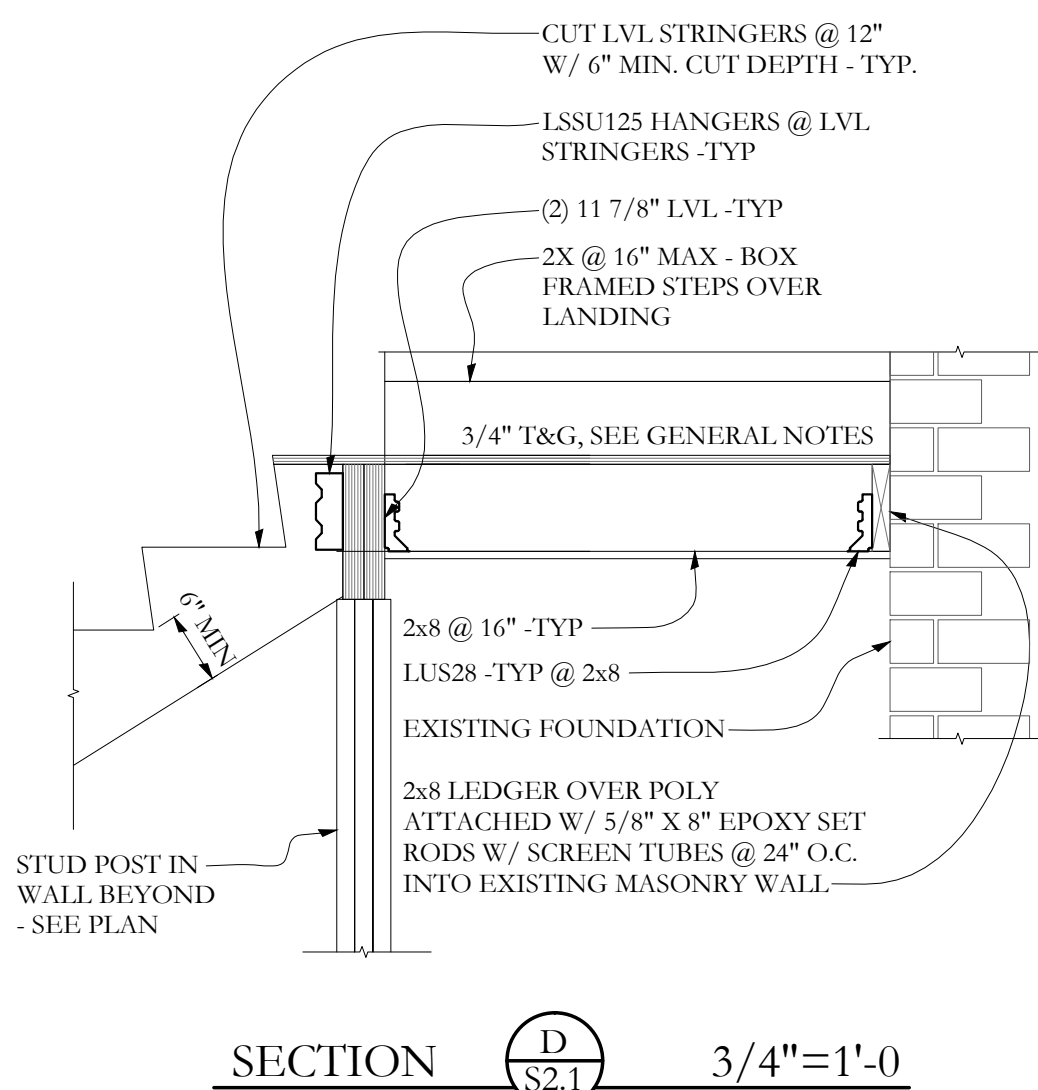
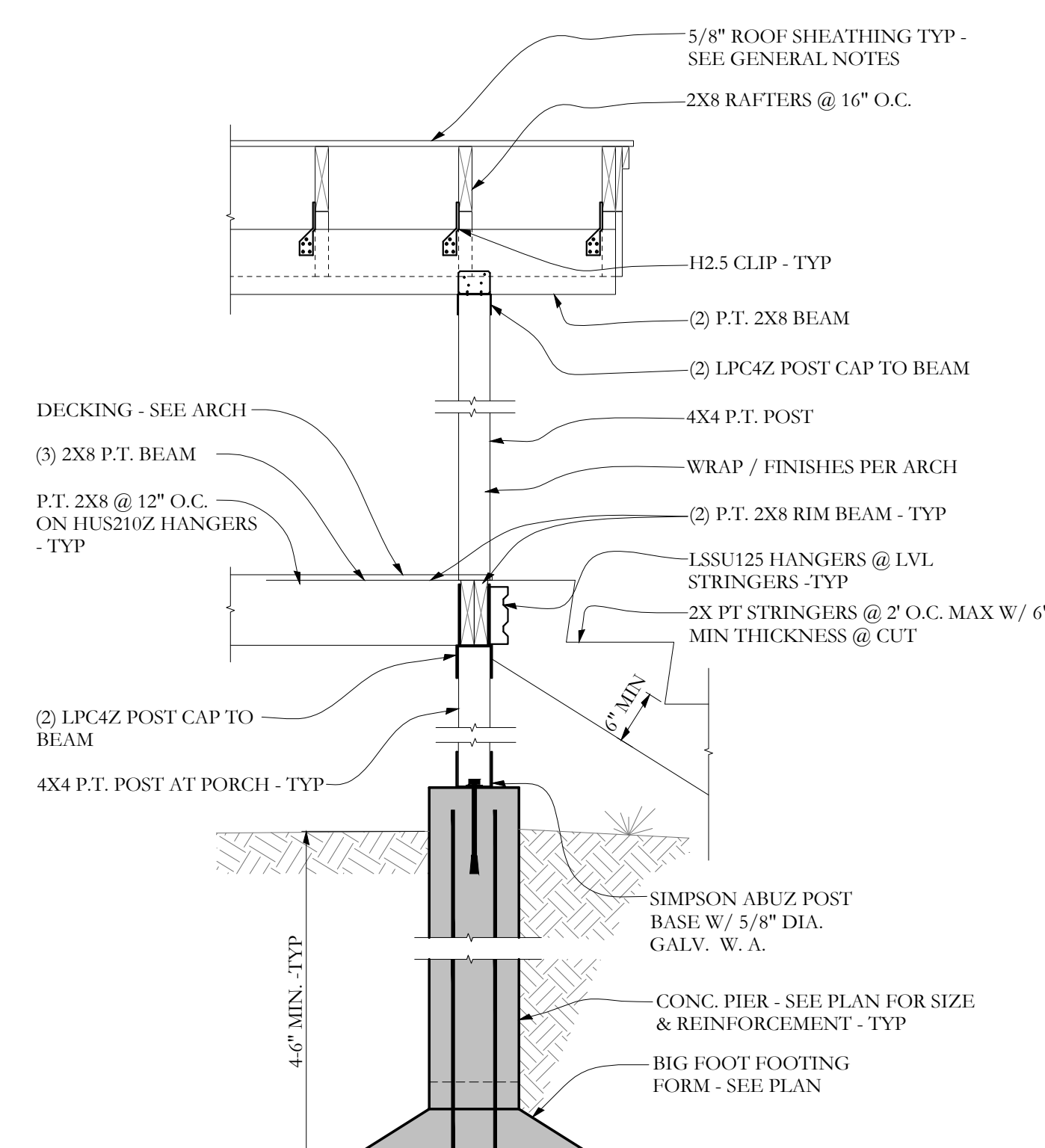
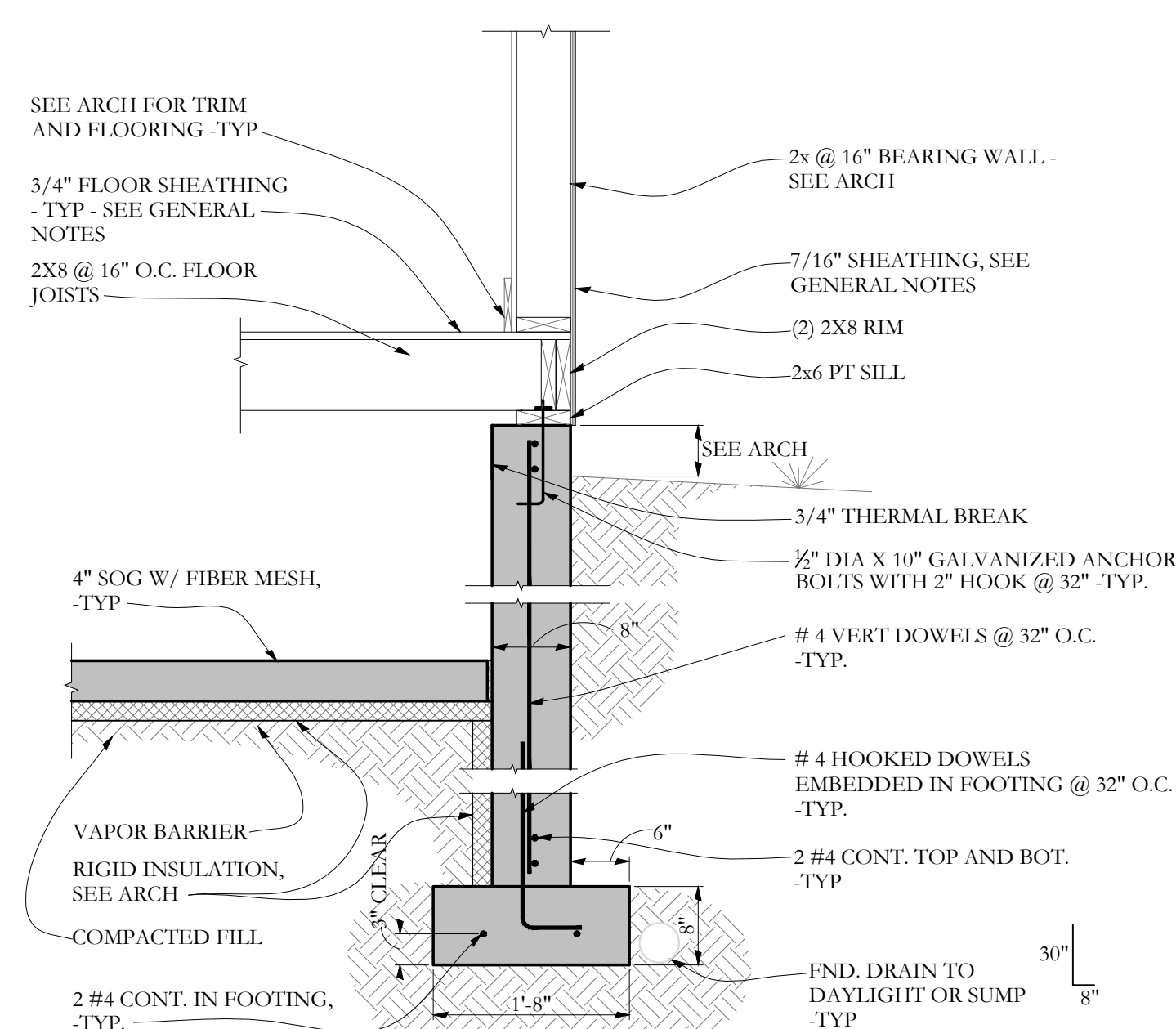
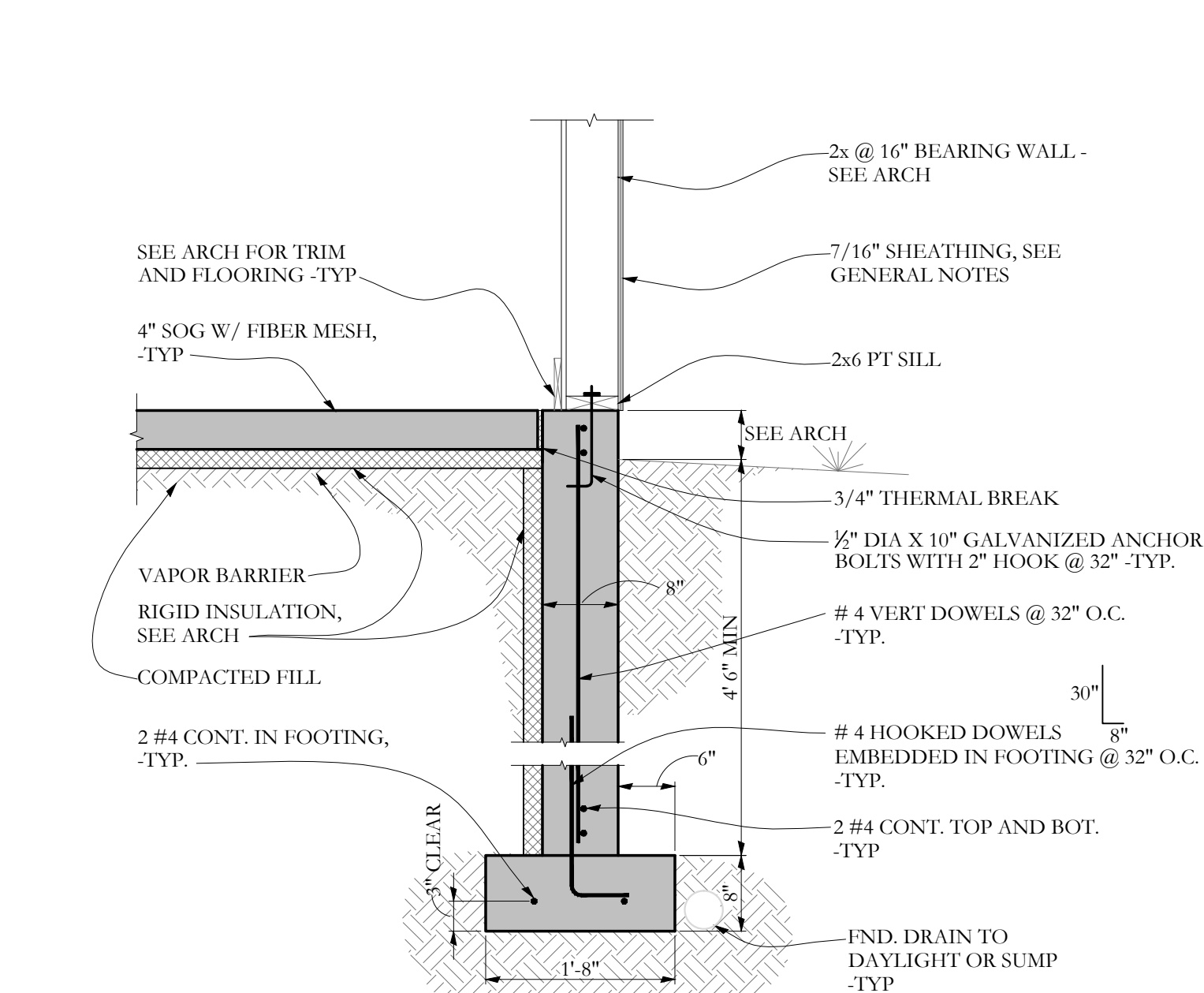
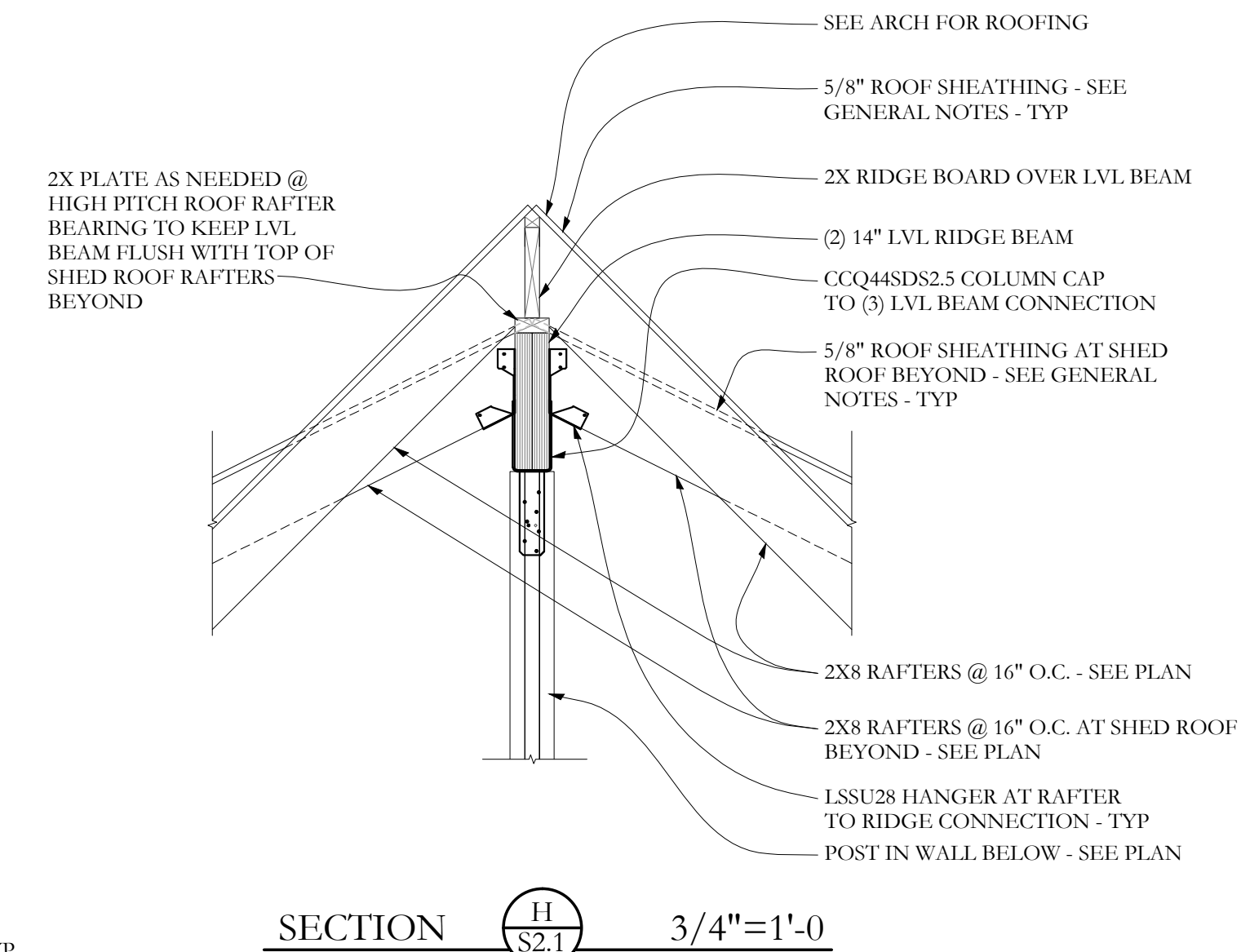
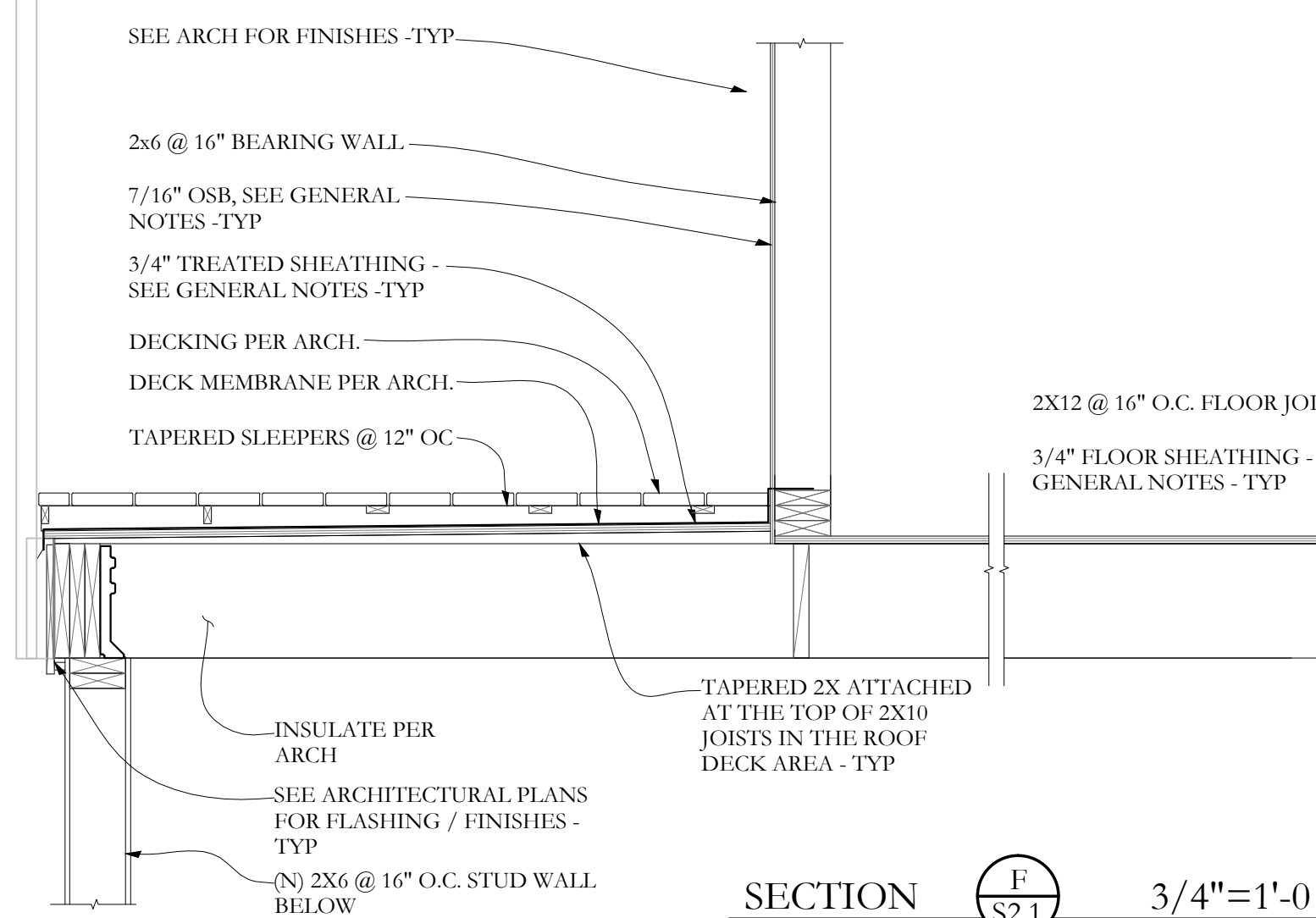
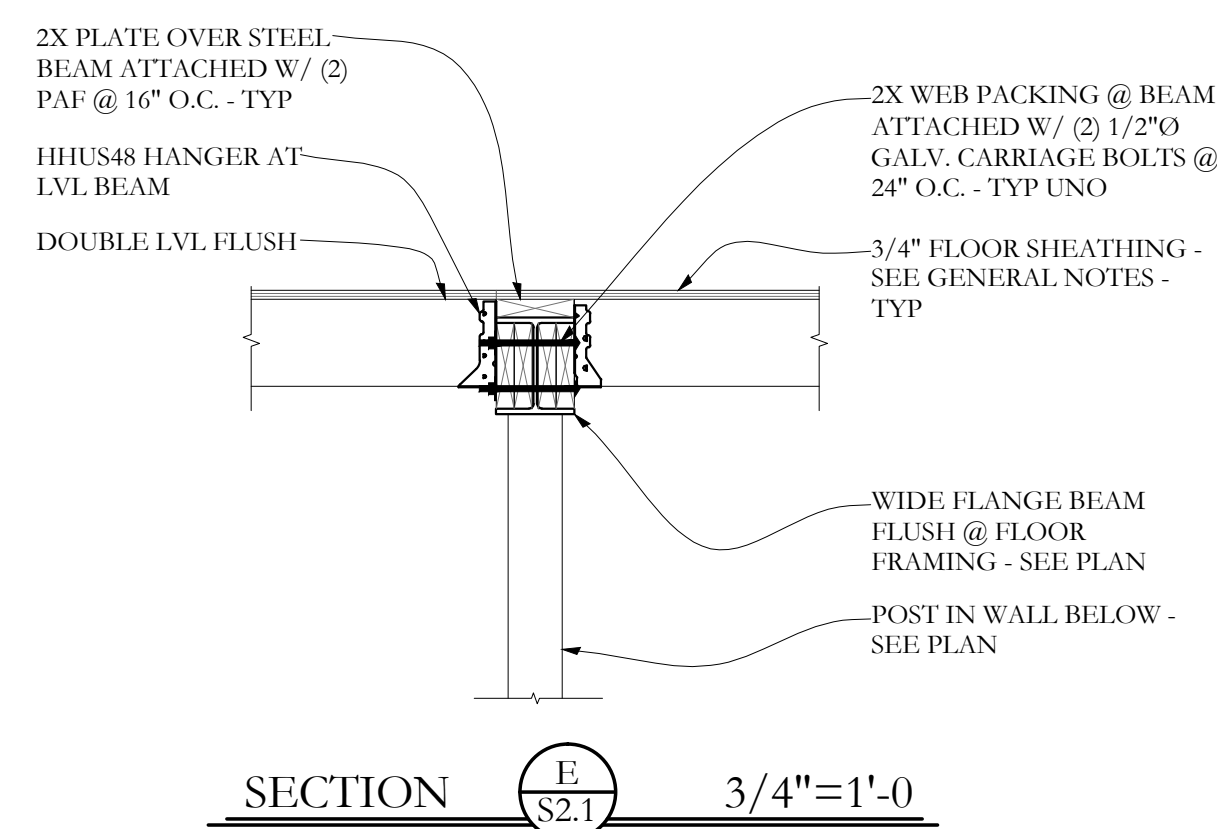
HARKLEROD RESIDENCE  
47 HOWARD STREET  
PORTLAND, MAINE 04101

REVISIONS OF

RESPONSE TO  
DATE: Dec. 16th, 2014  
FOR PERMIT

SECTIONS  
PROJECT  
HARKLEROD RESIDENCE  
DRAWN BY  
WMC  
CHECK BY  
ACJ

S2.1



Structural Integrity  
Consulting Engineers, Inc.  
77 Oak Street  
Portland, ME 04101  
p. 207-774-4614  
f. 866-793-7835  
www.structuralintegrity.com  
BUILD WITH CONFIDENCE  
©2014 Structural Integrity Consulting Engineers, Inc. S# 14-0177

12/16/14