

City of Portland, Maine - Building or Use Permit Application

389 Congress Street, 04101 Tel: (207) 874-8703, Fax: (207) 874-8716

Permit No: 09-1382	Issue Date:	CBL: 014 H006001
-----------------------	-------------	---------------------

Location of Construction: 47 HOWARD ST	Owner Name: PINETTE MIYO WID KW VET &	Owner Address: 47 HOWARD ST	Phone:
Business Name:	Contractor Name: Portside Heating and Plumbing	Contractor Address: 30 Bolton Street Portland	Phone 2078311810
Lessee/Buyer's Name	Phone:	Permit Type: HVAC	Zone: R5

Past Use: Single Family Home	Proposed Use: Single Family Home - install a Peerless Boiler in basement	Permit Fee: \$80.00	Cost of Work: \$5,500.00	CEO District: 1
		FIRE DEPT: <input type="checkbox"/> Approved <input type="checkbox"/> Denied	INSPECTION: Use Group: R3 Type: SB IRC 2103 ST ME Solid Fuel Bldg	

Proposed Project Description: install a Peerless Boiler in basement	Signature:	Signature: <i>Jm</i> 12/4/09
PEDESTRIAN ACTIVITIES DISTRICT (P.A.D.)		
Action: <input type="checkbox"/> Approved <input type="checkbox"/> Approved w/Conditions <input type="checkbox"/> Denied		
Signature:		Date:

Permit Taken By: L.dobson	Date Applied For: 12/04/2009	Zoning Approval
------------------------------	---------------------------------	------------------------

- This permit application does not preclude the Applicant(s) from meeting applicable State and Federal Rules.
- Building permits do not include plumbing, septic or electrical work.
- Building permits are void if work is not started within six (6) months of the date of issuance. False information may invalidate a building permit and stop all work..

Special Zone or Reviews <input type="checkbox"/> Shoreland <input type="checkbox"/> Wetland <input type="checkbox"/> Flood Zone <input type="checkbox"/> Subdivision <input type="checkbox"/> Site Plan Maj <input type="checkbox"/> Minor <input type="checkbox"/> MM <input type="checkbox"/> Date: <i>Jm</i> 12/4	Zoning Appeal <input type="checkbox"/> Variance <input type="checkbox"/> Miscellaneous <input type="checkbox"/> Conditional Use <input type="checkbox"/> Interpretation <input type="checkbox"/> Approved <input type="checkbox"/> Denied Date:	Historic Preservation <input checked="" type="checkbox"/> Not in District or Landmark <input checked="" type="checkbox"/> Does Not Require Review <input type="checkbox"/> Requires Review <input type="checkbox"/> Approved <input type="checkbox"/> Approved w/Conditions <input type="checkbox"/> Denied Date: <i>Jm</i> 12/4
--	---	--

PERMIT ISSUED

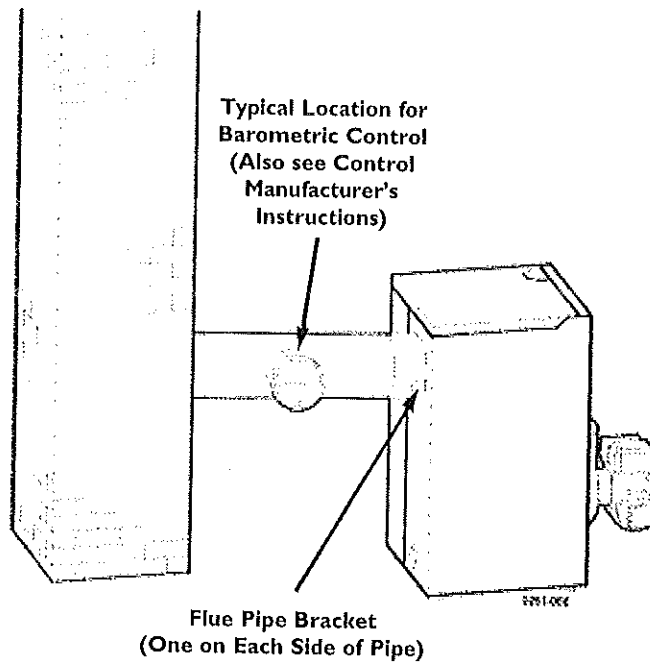
DEC - 4 2009

City of Portland

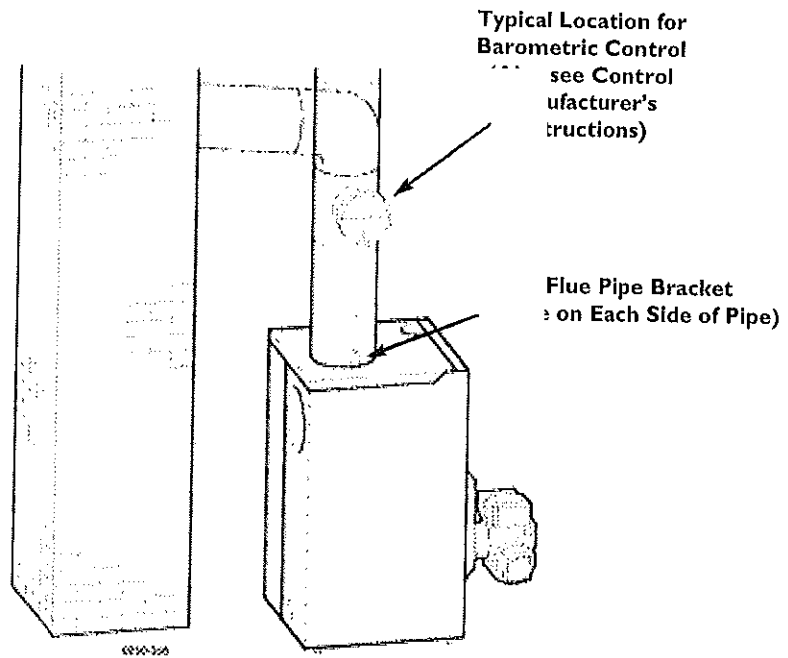
CERTIFICATION

I hereby certify that I am the owner of record of the named property, or that the proposed work is authorized by the owner of record and that I have been authorized by the owner to make this application as his authorized agent and I agree to conform to all applicable laws of this jurisdiction. In addition, if a permit for work described in the application is issued, I certify that the code official's authorized representative shall have the authority to enter all areas covered by such permit at any reasonable hour to enforce the provision of the code(s) applicable to such permit.

SIGNATURE OF APPLICANT	ADDRESS	DATE	PHONE
RESPONSIBLE PERSON IN CHARGE OF WORK, TITLE		DATE	PHONE



Back Outlet Breeching Connection
FIGURE 7



Top Outlet Breeching Connection
FIGURE 8



FILL IN AND SIGN WITH INK

APPLICATION FOR PERMIT HEATING OR POWER EQUIPMENT

PERMIT ISSUED

DEC - 4 2009

To the INSPECTOR OF BUILDINGS, PORTLAND, ME.

City of Portland

The undersigned hereby applies for a permit to install the following heating, cooking or power equipment in accordance with the Laws of Maine, the Building Code of the City of Portland, and the following specifications:

Location / CBL Portland 14-H-6 Use of Building Single Family Date 12-07-09
 Name and address of owner of appliance Henry Pymette
47 Howard St Portland ME
 Installer's name and address Port side P-H 30 Bolton St
Portland Me. Telephone 831-1810

Location of appliance:

- Basement Floor
 Attic Roof

Type of Fuel:

- Gas Oil Solid

Appliance Name: Peerless

U.L. Approved Yes No

Will appliance be installed in accordance with the manufacture's installation instructions? Yes No

IF NO Explain: _____

The Type of License of Installer:

- Master Plumber # 2731
 Solid Fuel # _____
 Oil # _____
 Gas # _____
 Other _____

Type of Chimney:

- Masonry Lined

Factory built _____

- Metal

Factory Built U.L. Listing # _____

- Direct Vent

Type _____ UL# _____

Type of Fuel Tank

- Oil
 Gas

Size of Tank _____

Number of Tanks _____

Distance from Tank to Center of Flame 8' feet.

Cost of Work: \$ 3,500

Permit Fee: \$ 80

Approved

Approved with Conditions

Fire: _____

Ele.: _____

Bldg.: _____

- See attached letter or requirement

Inspector's Signature _____

Date Approved _____

Signature of Installer Jam Jackson

White - Inspection

Yellow - File

Pink - Applicant's

Gold - Assessor's Copy

City of Portland, Maine - Building or Use Permit

389 Congress Street, 04101 Tel: (207) 874-8703, Fax: (207) 874-8716

Permit No: 09-1382	Date Applied For: 12/04/2009	CBL: 014 H006001
-----------------------	---------------------------------	---------------------

Location of Construction: 47 HOWARD ST	Owner Name: PINETTE MIYO WID KW VET &	Owner Address: 47 HOWARD ST	Phone:
Business Name:	Contractor Name: Portside Heating and Plumbing	Contractor Address: 30 Bolton Street Portland	Phone (207) 831-1810
Lessee/Buyer's Name	Phone:	Permit Type: HVAC	

Proposed Use: Single Family Home - install a Peerless Boiler in basement	Proposed Project Description: install a Peerless Boiler in basement
---	--

Dept: Zoning	Status: Approved	Reviewer: Tom Markley	Approval Date: 12/04/2009
Note:	Ok to Issue: <input checked="" type="checkbox"/>		
<p>1) This is NOT an approval for an additional dwelling unit. You SHALL NOT add any additional kitchen equipment including, but not limited to items such as stoves, microwaves, refrigerators, or kitchen sinks, etc. Without special approvals.</p> <p>2) This property shall remain a single family dwelling. Any change of use shall require a separate permit application for review and approval.</p>			

Dept: Building	Status: Approved with Conditions	Reviewer: Tom Markley	Approval Date: 12/04/2009
Note:	Ok to Issue: <input checked="" type="checkbox"/>		
<p>1) Application approval based upon information provided by applicant. Any deviation from approved plans requires separate review and approval prior to work.</p> <p>2) Installation shall comply with 2003 International Mechanical Code and State of Maine Oil and Solid Fuel Board Laws and Rules</p>			