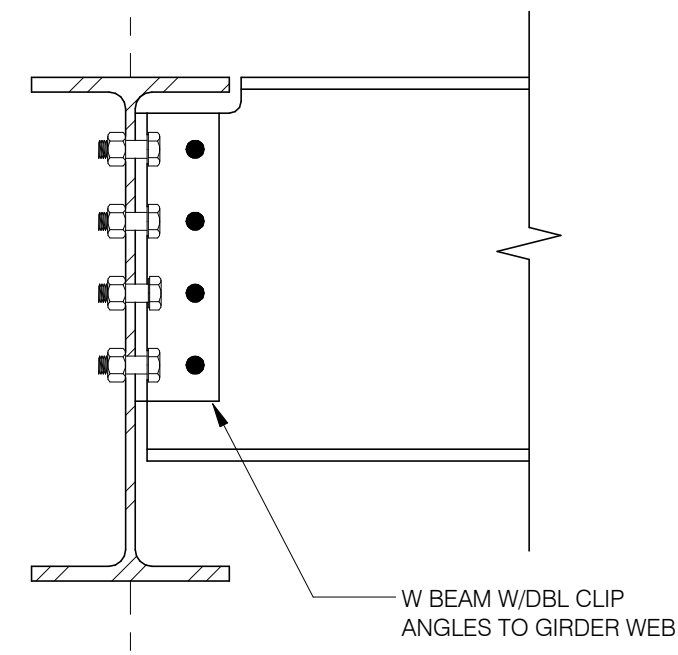
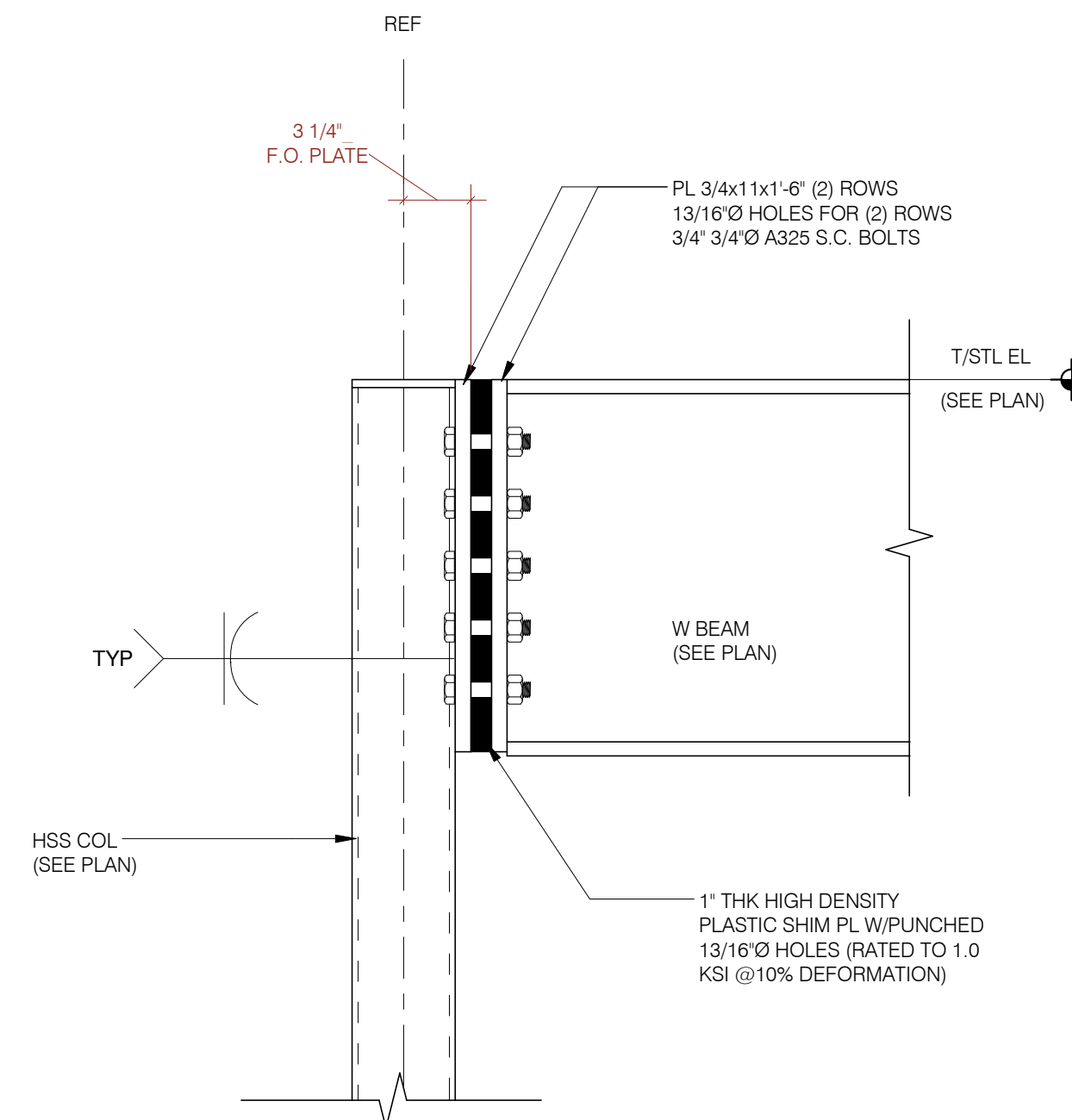


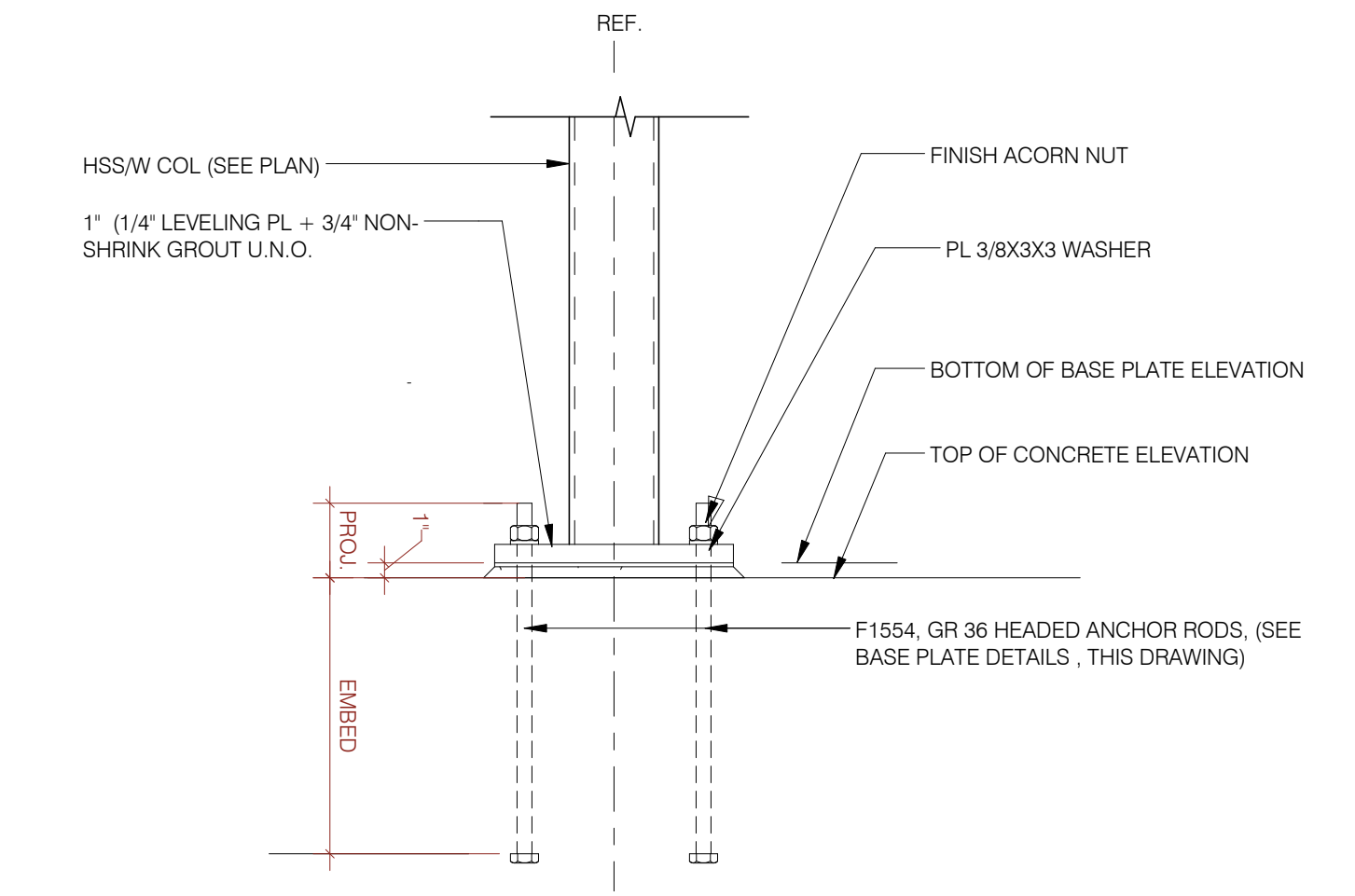
10 Wood Nailer / Web Blocking to W-BM
1 1/2" = 1'-0"



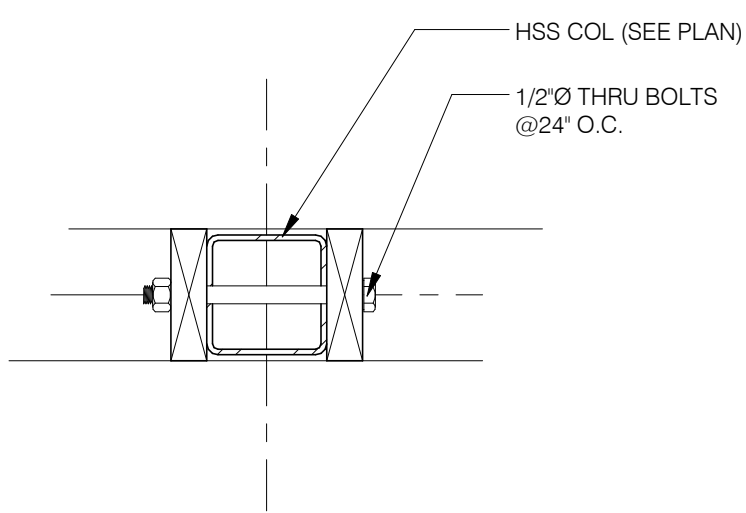
7 Beam to Beam Connection
1 1/2" = 1'-0"



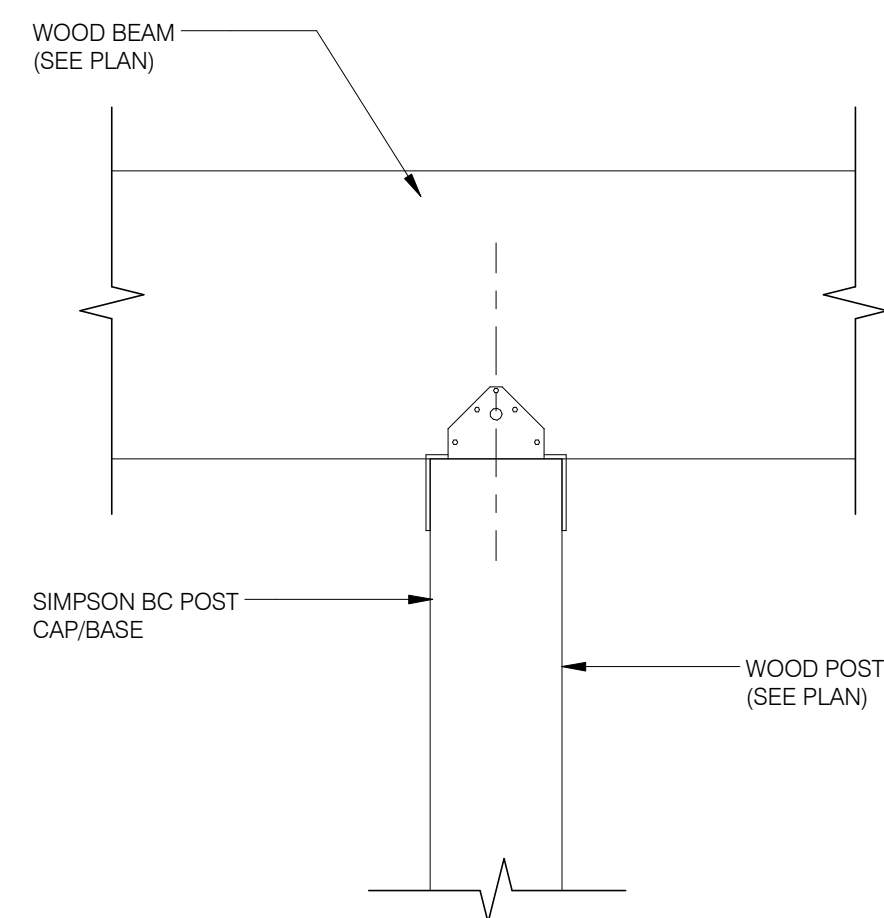
4 Steel Beam @ Thermal Break
1 1/2" = 1'-0"



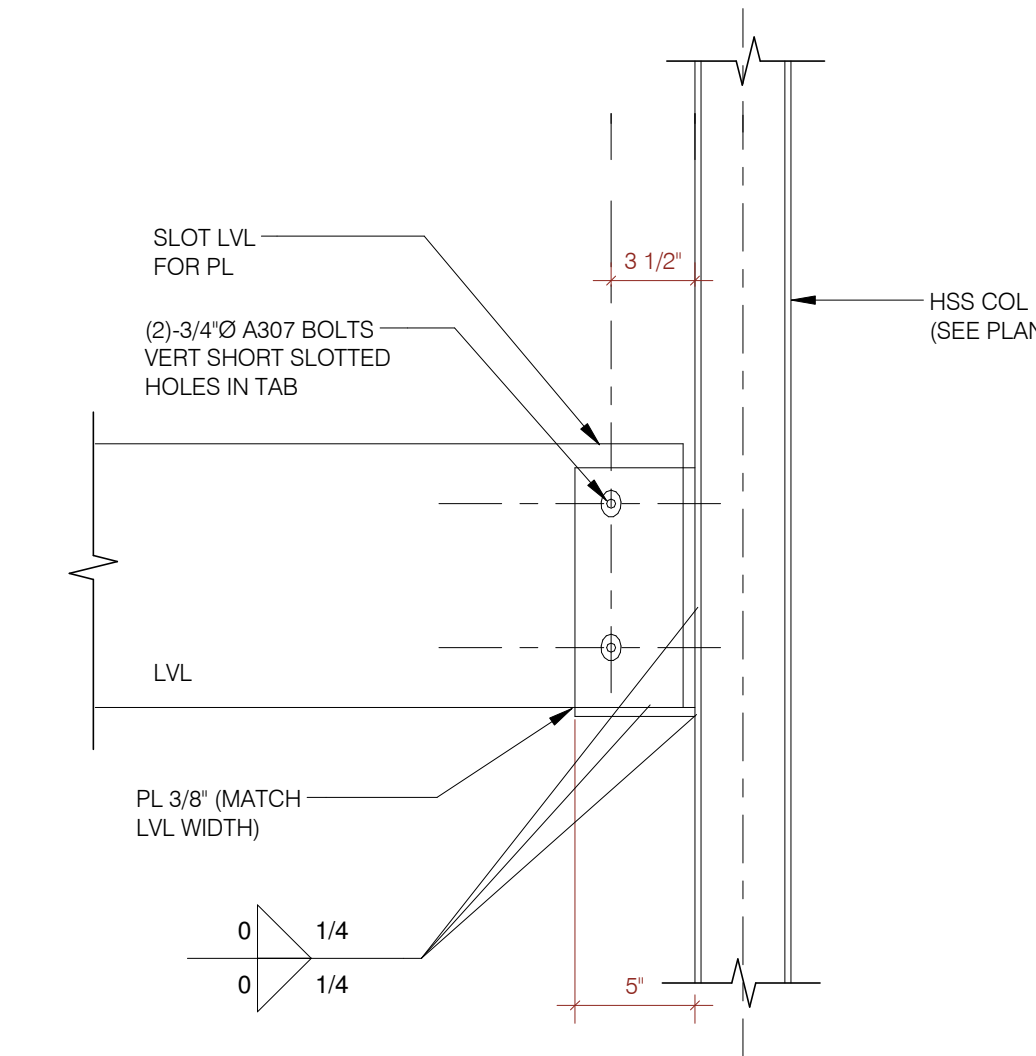
1 Column Baseplate - Section
1" = 1'-0"



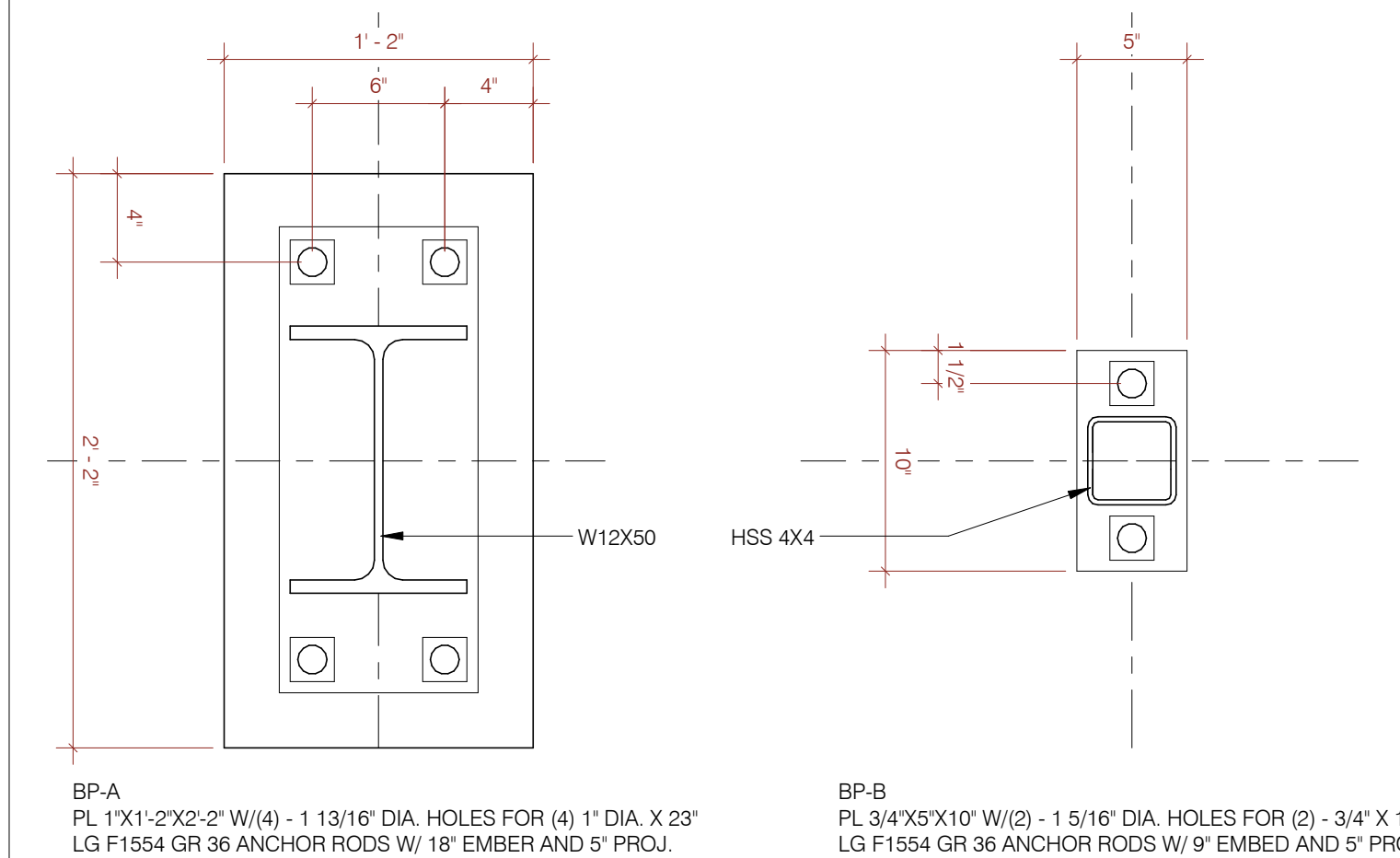
11 HSS Column Blocking
1 1/2" = 1'-0"



8 Wood Post Cap / Base
1 1/2" = 1'-0"



5 LVL to Steel Column
1 1/2" = 1'-0"



2 Column Baseplate - Plan
1 1/2" = 1'-0"