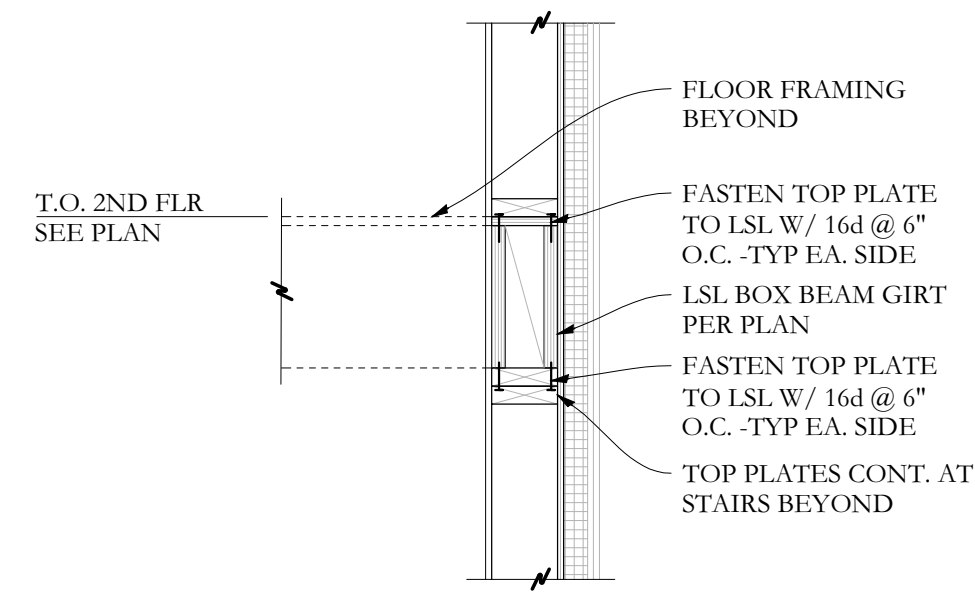
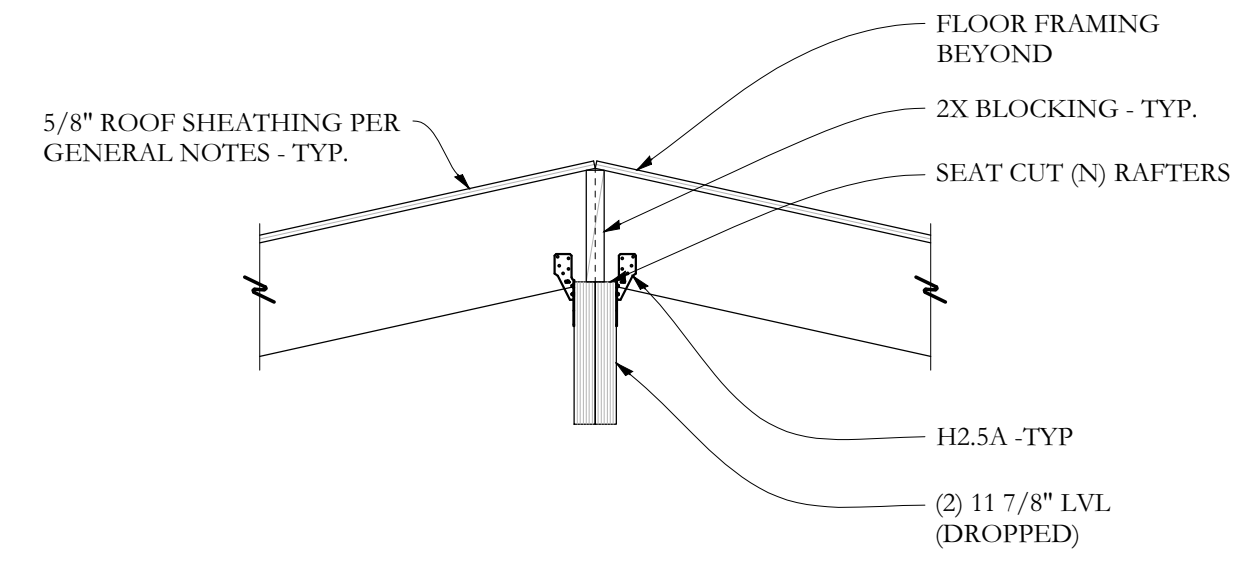


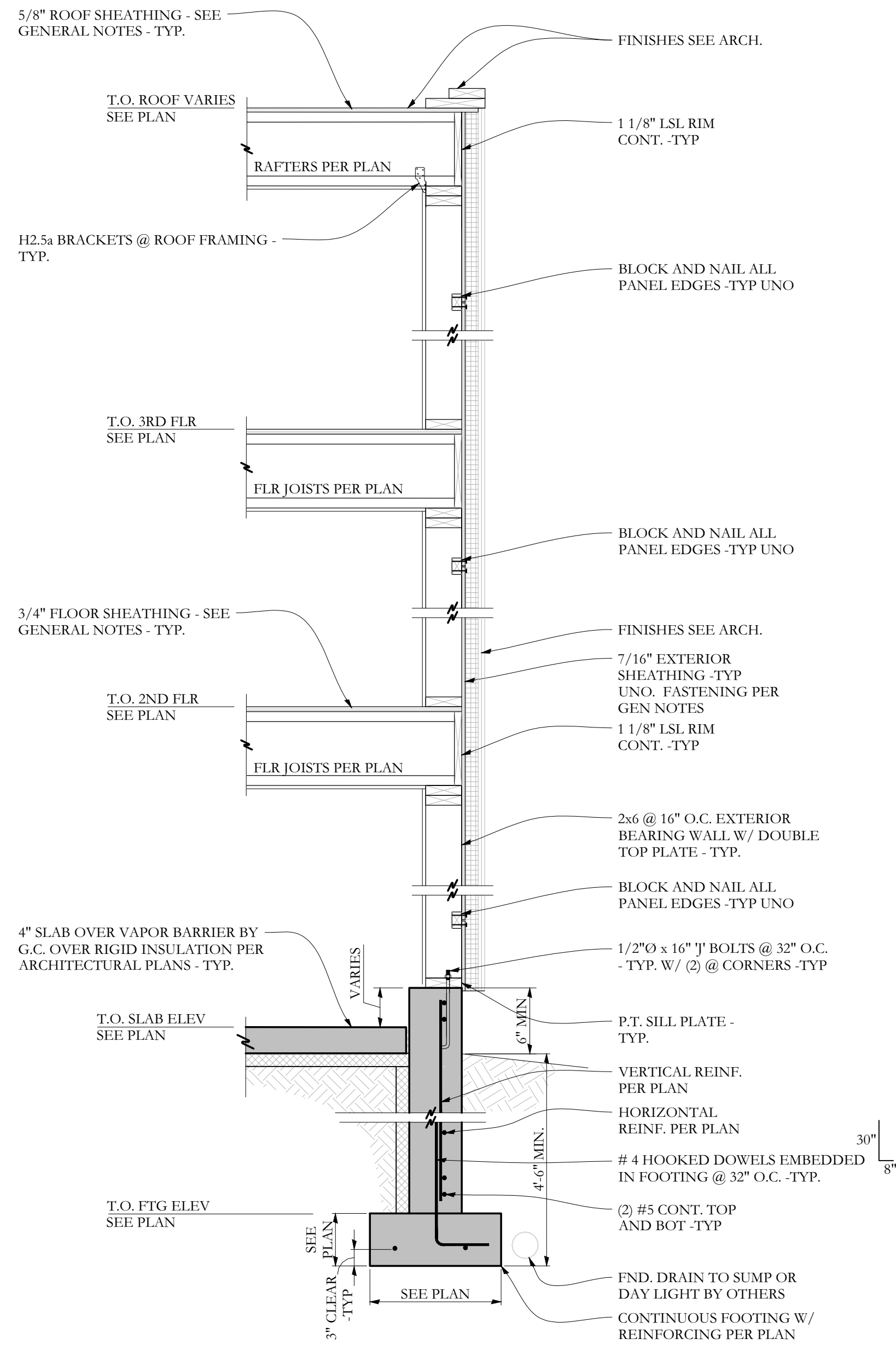
SECTION **D** S2.1 3/4"=1'-0"



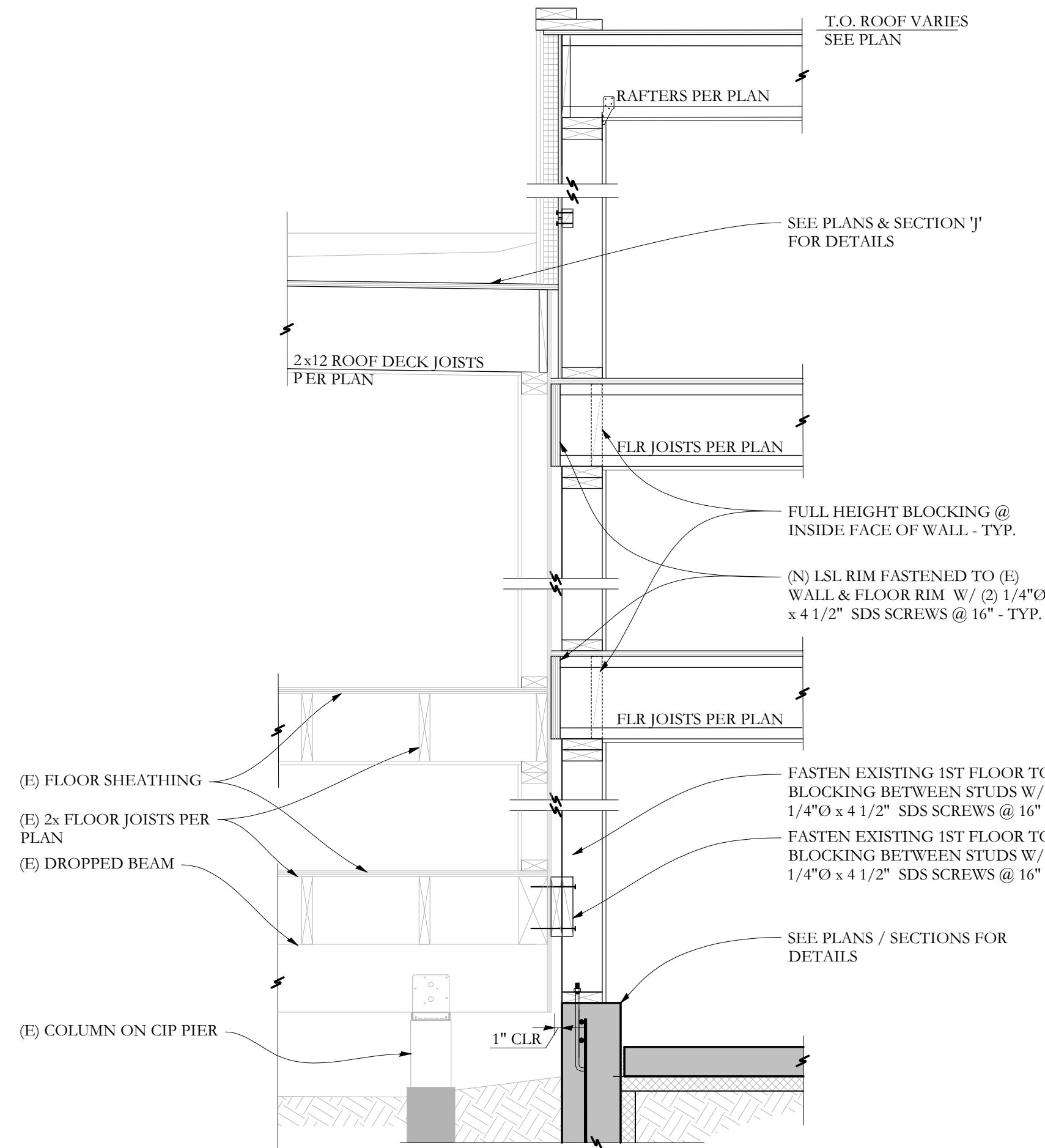
SECTION **E** S2.1 3/4"=1'-0"



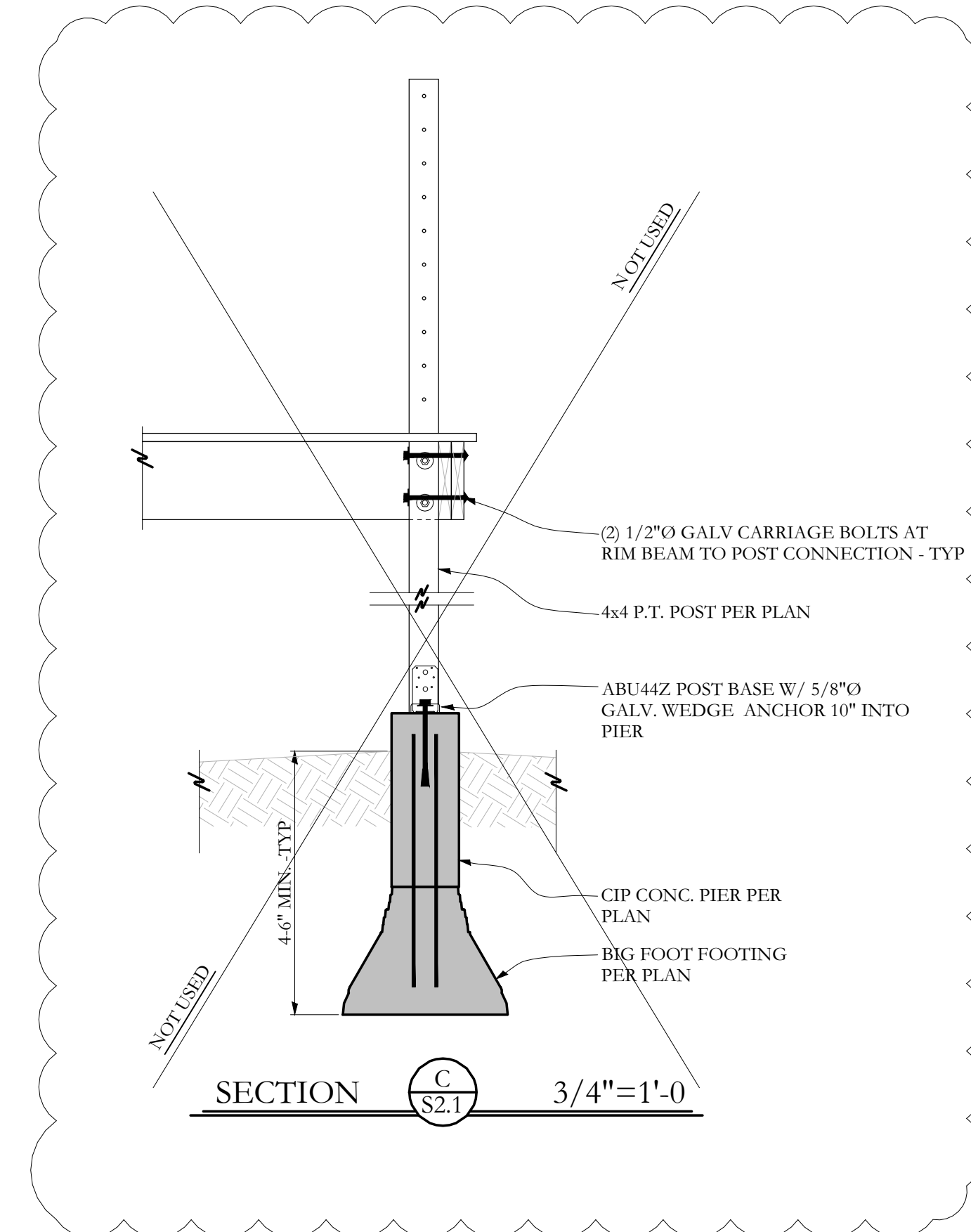
SECTION **F** S2.1 3/4"=1'-0"



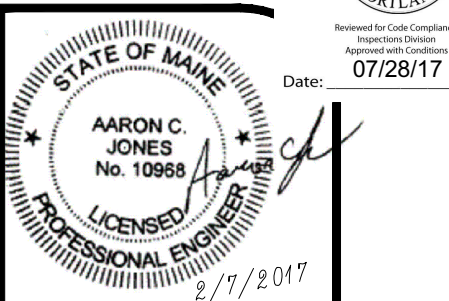
SECTION **A** S2.1 3/4"=1'-0"



SECTION **B** S2.1 3/4"=1'-0"



SECTION **C** S2.1 3/4"=1'-0"



PROJECT NO. **16-0035**
PROJECT NAME **44 Quebec Street Portland, ME**

REVISIONS	DATE	DESCRIPTION
1	Rev. 2/9/17	
2		
3		
4		
5		

DRAWN BY **MKL / WMC**
SHEET TITLE **SECTIONS**

ISSUE DATE **2/7/17**
SHEET SCALE

S
S2.1