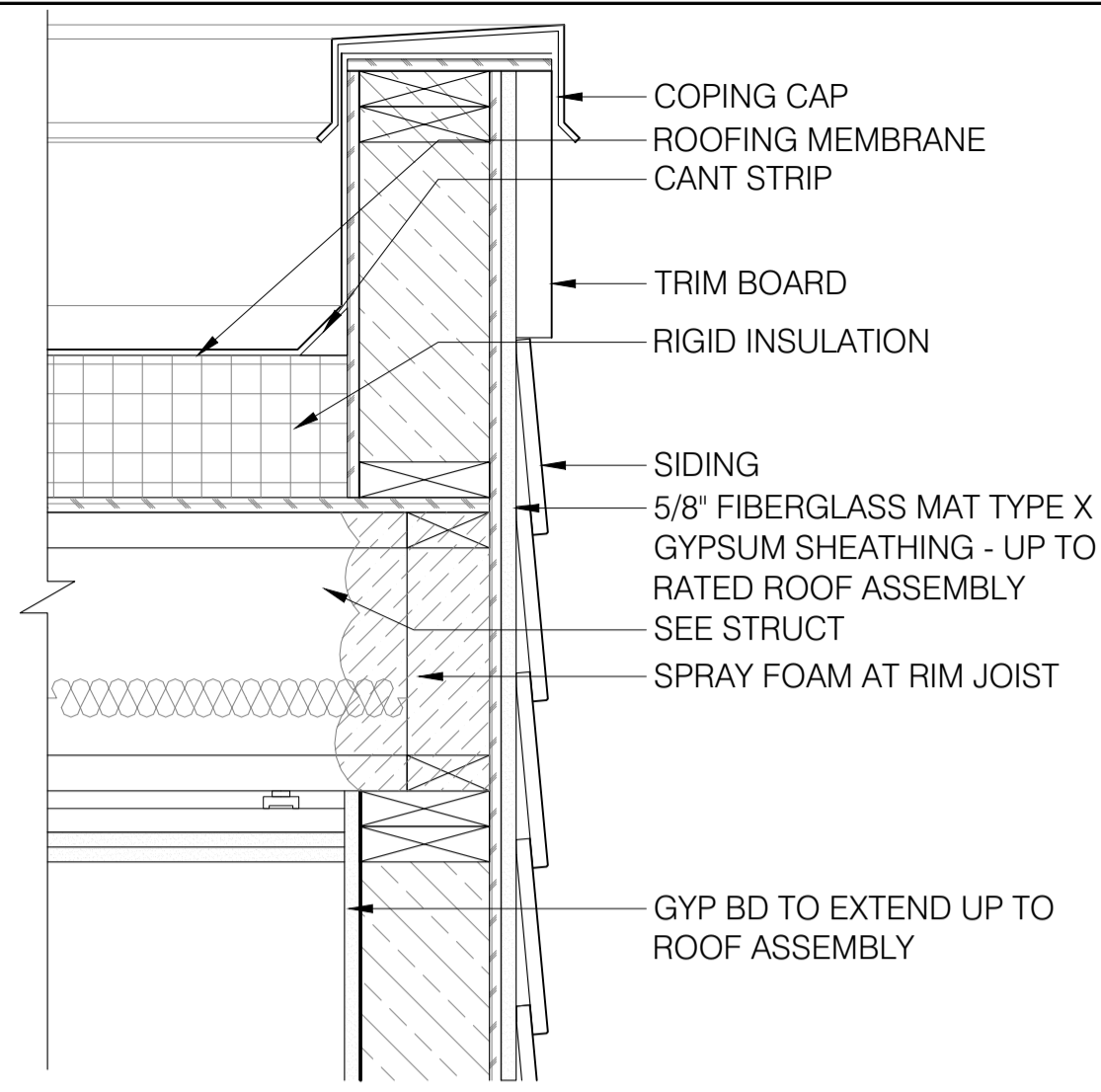
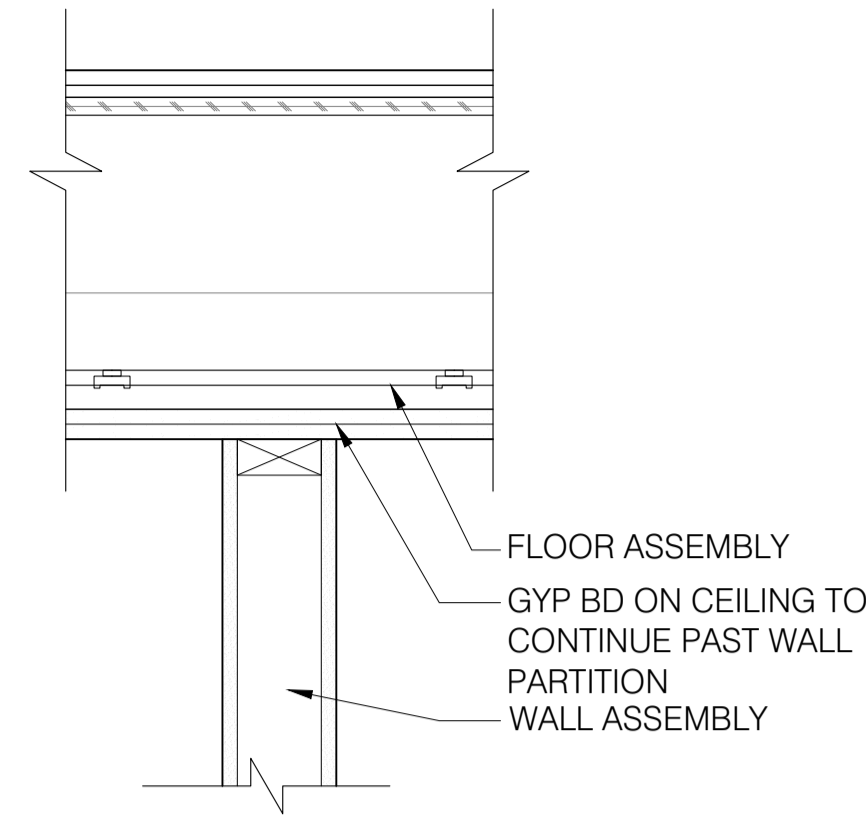


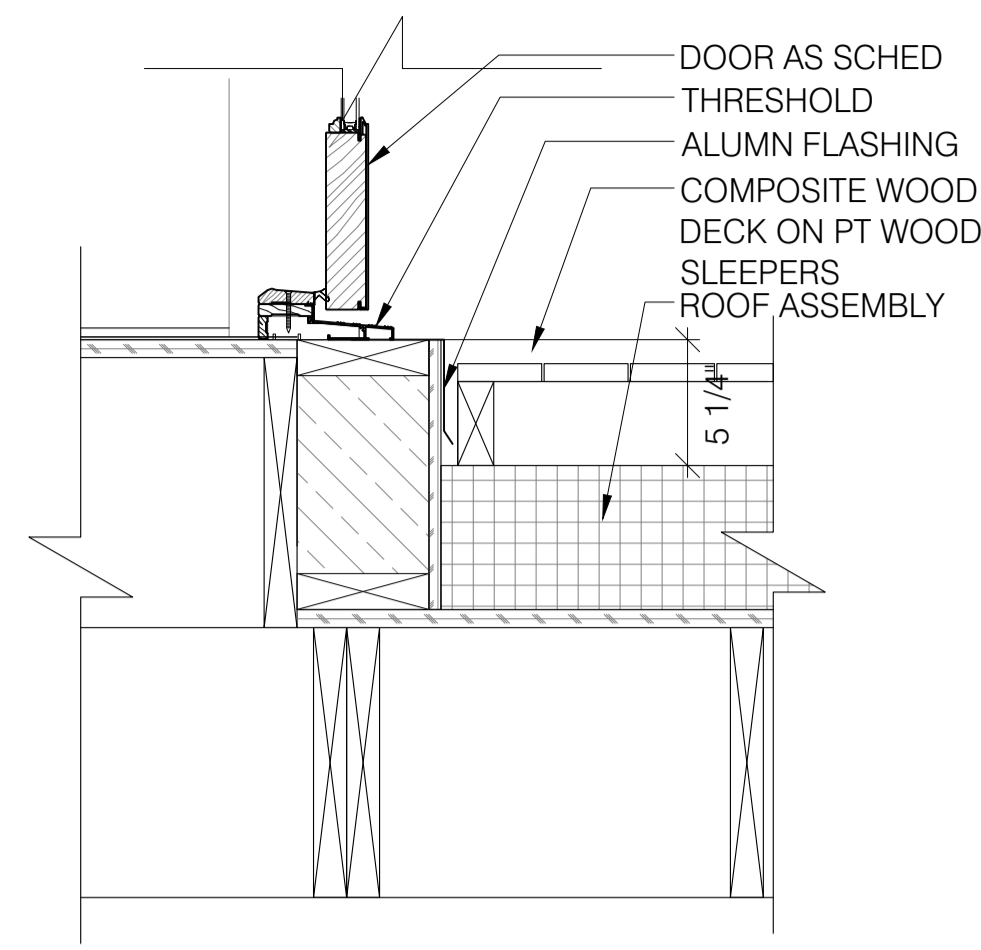
COPYRIGHT: Reuse or reproduction of the contents of this document is not permitted without written permission of Bild Architecture LLC



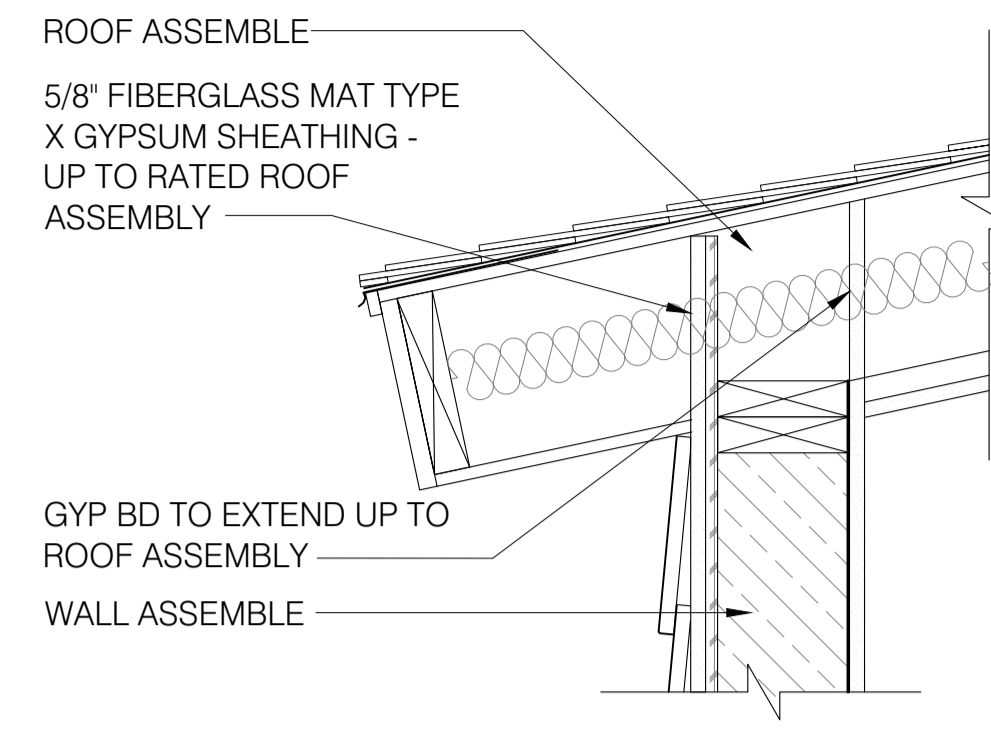
1 T.O. WALL RATED EXT. WALL
SCALE: 1-1/2" = 1'-0"



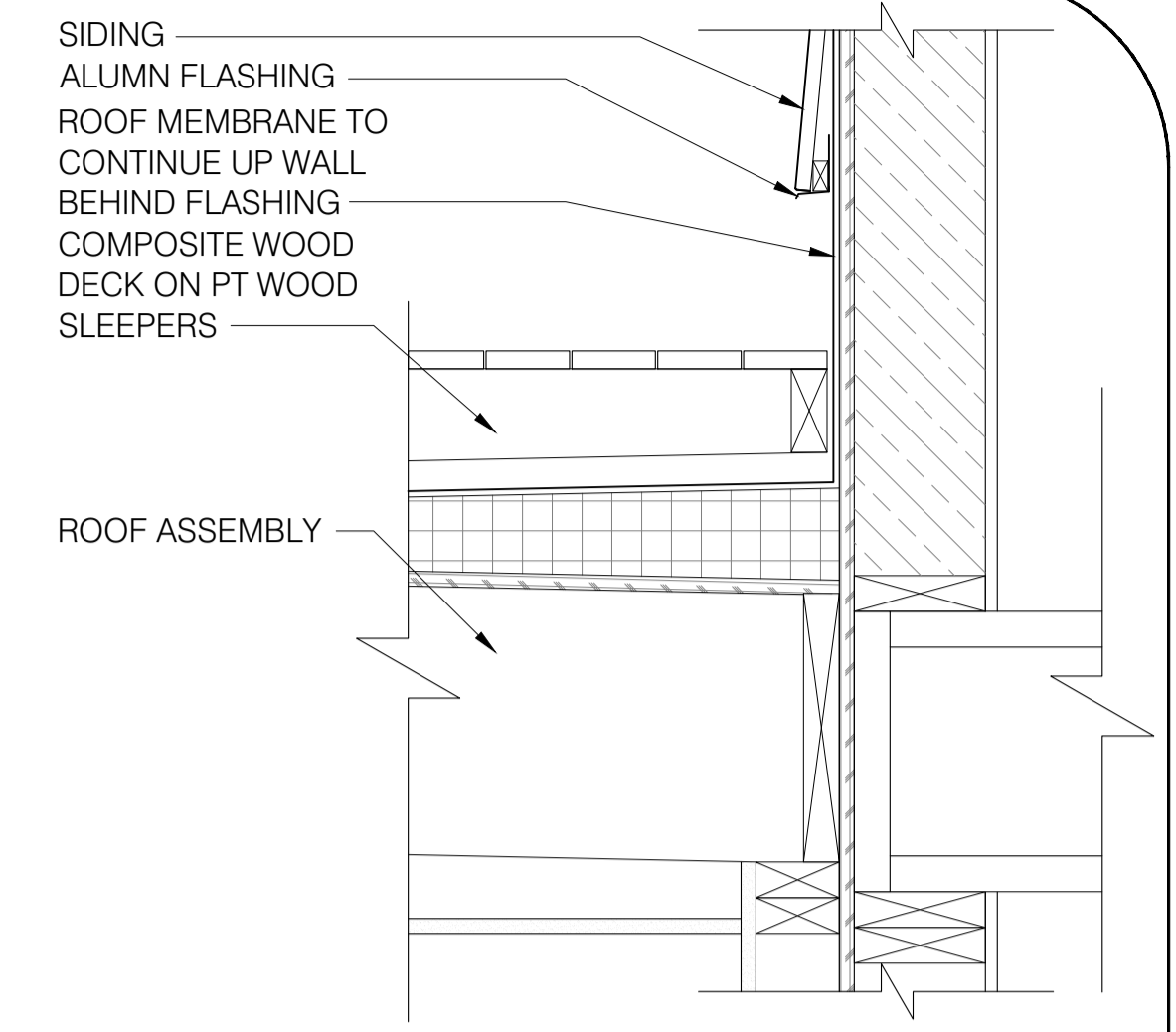
2 PARTITION UNDER RATED FLOOR
SCALE: 1-1/2" = 1'-0"



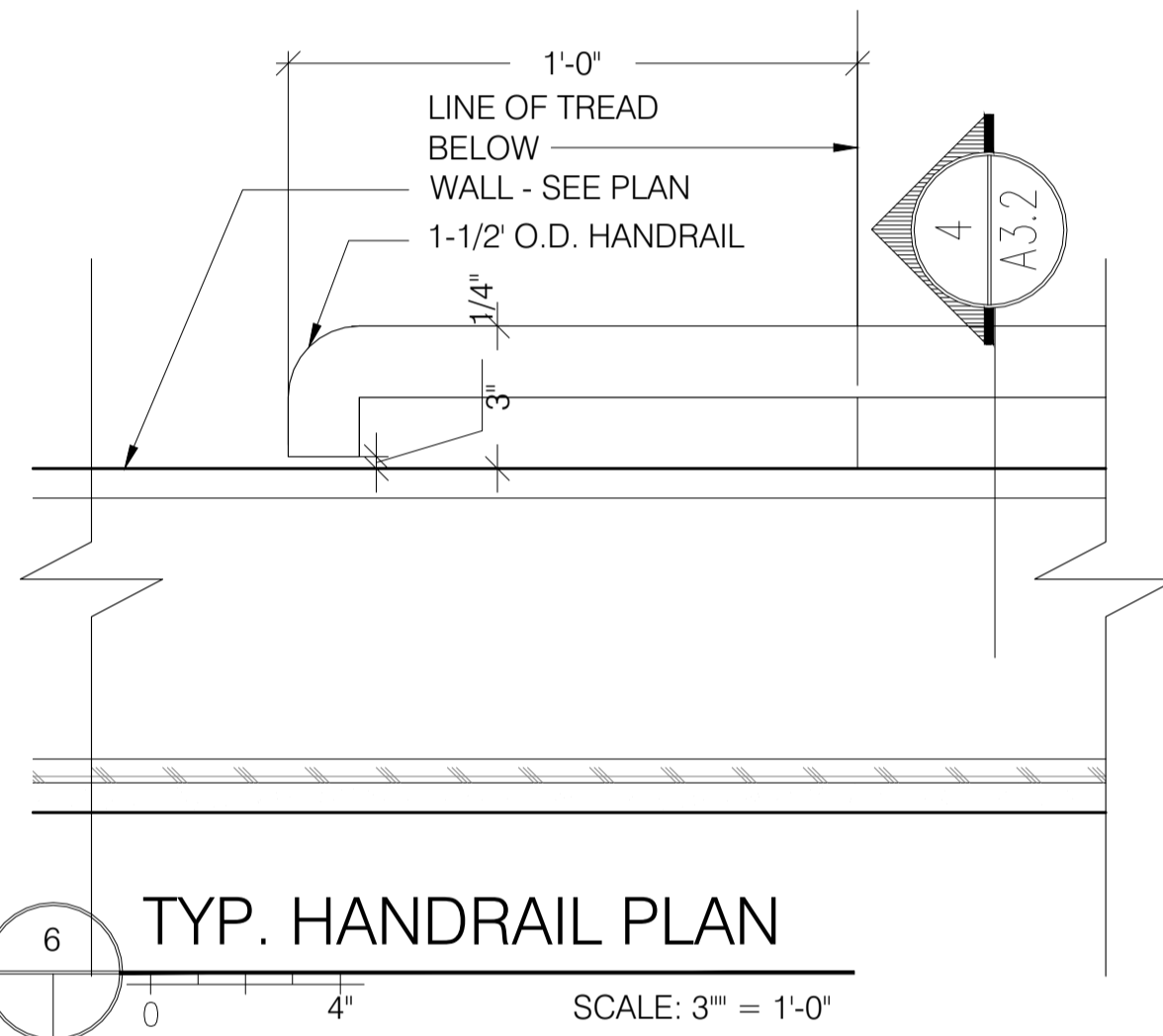
3 ROOFDECK DOOR
SCALE: 1-1/2" = 1'-0"



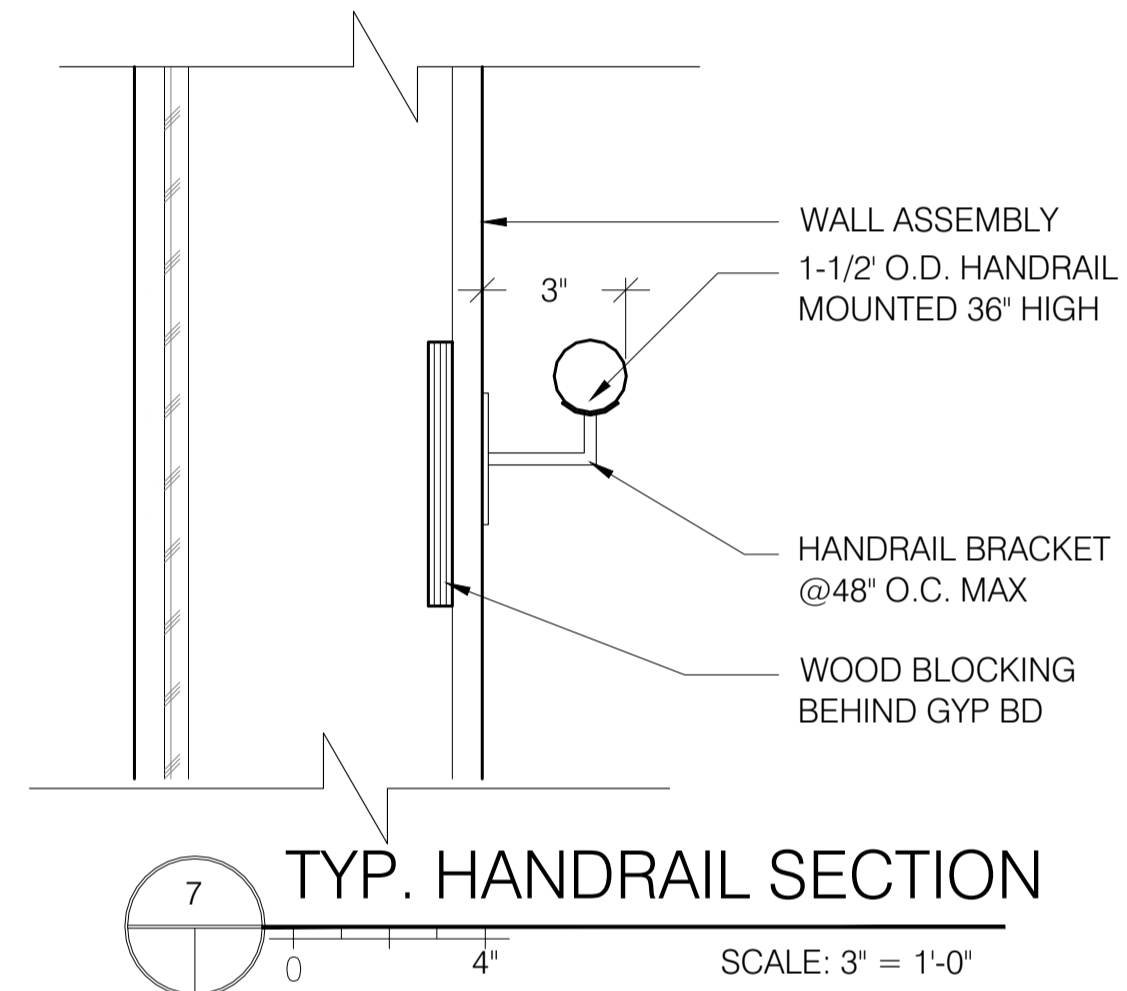
4 ROOF EAVE DETAIL
SCALE: 1-1/2" = 1'-0"



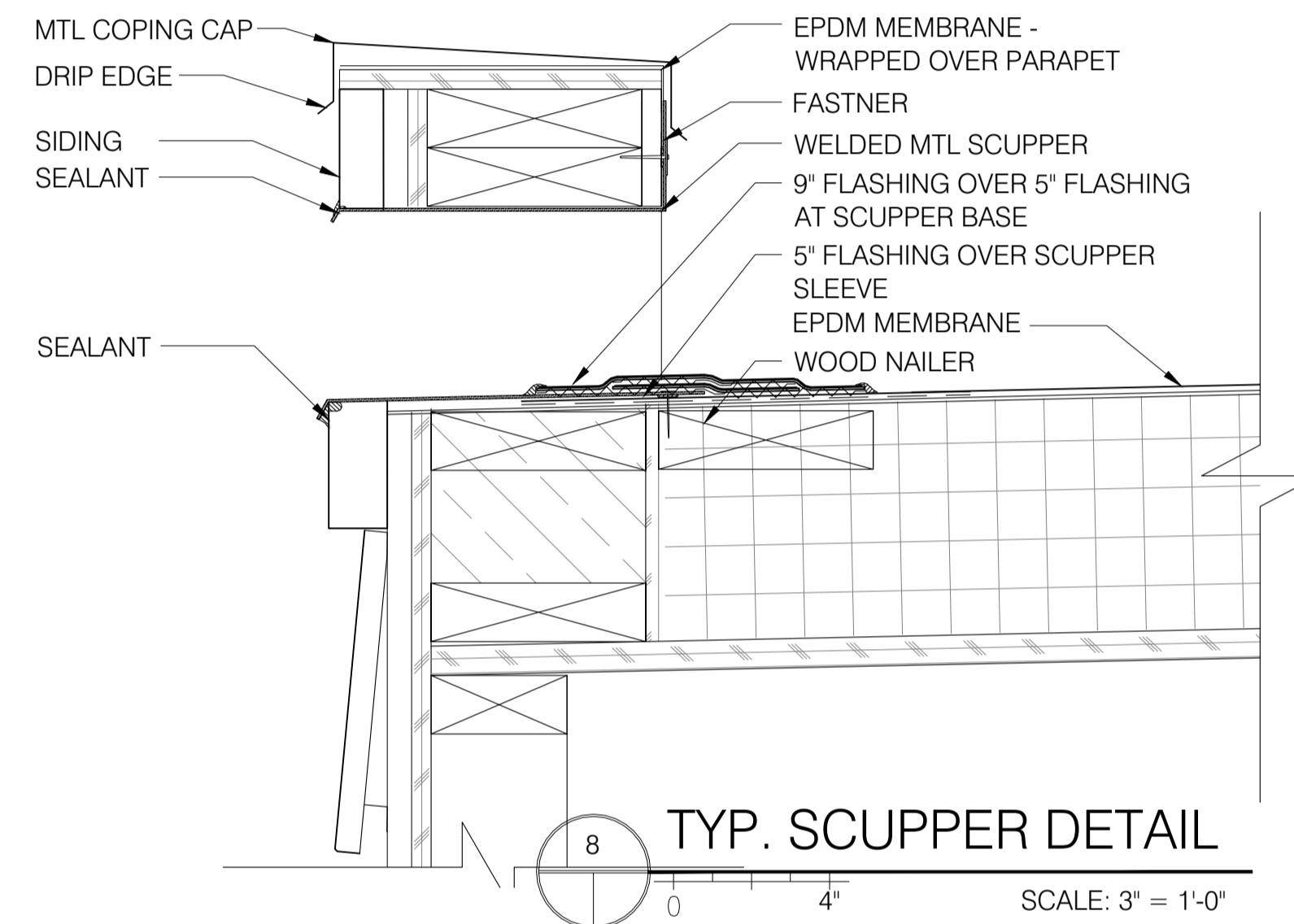
5 ROOF DECK DETAIL
SCALE: 1-1/2" = 1'-0"



6 TYP. HANDRAIL PLAN
SCALE: 3" = 1'-0"

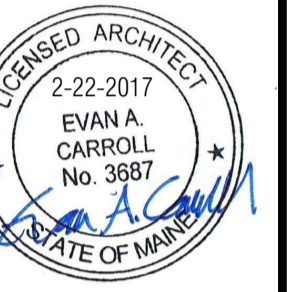


7 TYP. HANDRAIL SECTION
SCALE: 3" = 1'-0"



8 TYP. SCUPPER DETAIL
SCALE: 3" = 1'-0"

Bild Architecture
PO Box 8235
Portland, ME
04104
207.408.0168
evan@bildarchitecture.com



PROJECT NO.
16035
PROJECT NAME
44 QUEBEC
PORTLAND, ME

REVISIONS	DATE	DESCRIPTION
1		
2		
3		
4		
5		

DRAWN BY
EMW
SHEET TITLE
DETAILS

ISSUE DATE
2.22.17
SHEET SCALE
1/4" = 1'-0"

A