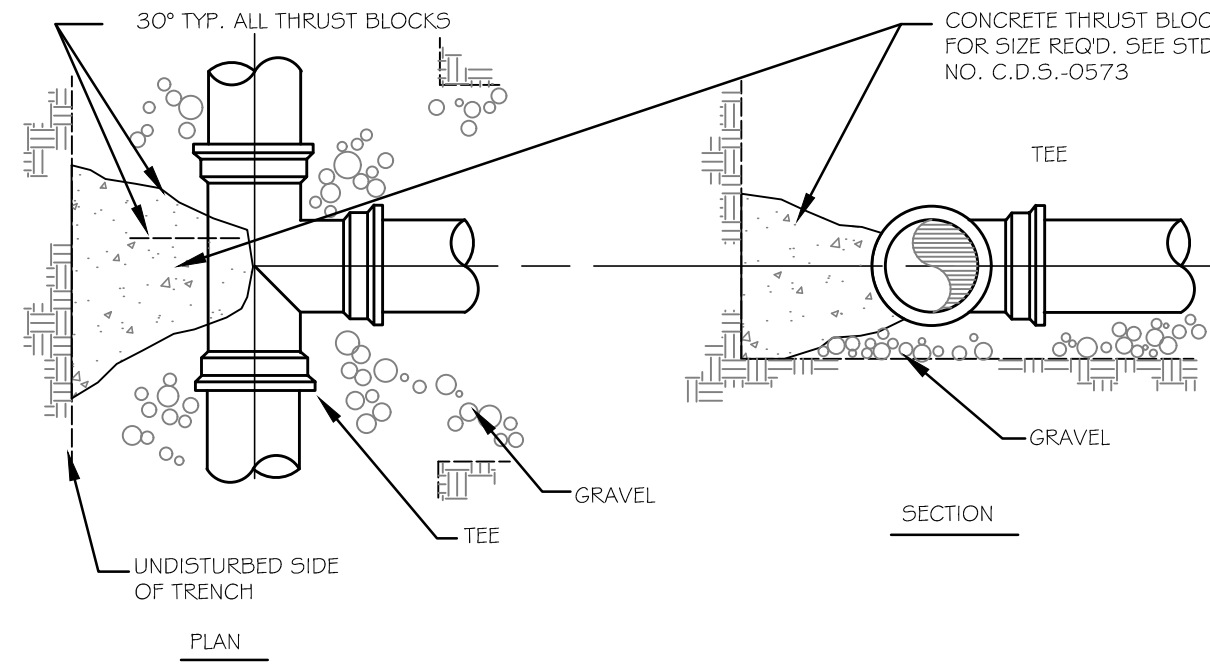
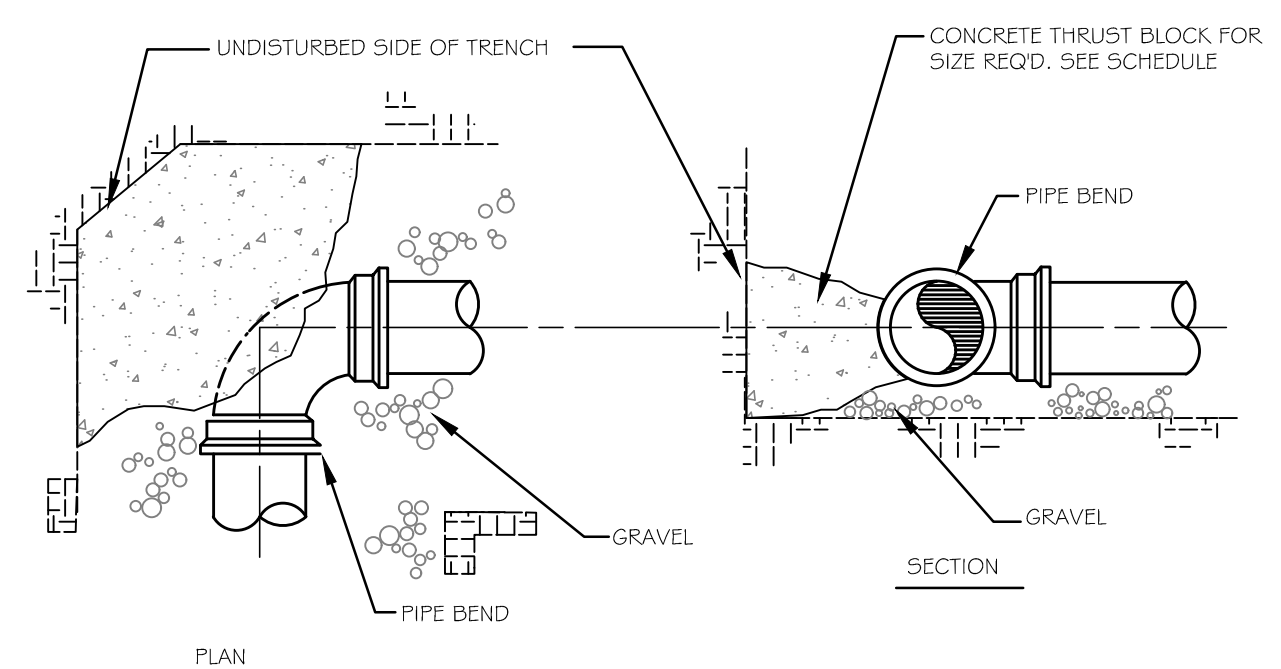


COPYRIGHT: Reuse or reproduction of the contents of this document is not permitted without written permission of Bild Architecture LLC



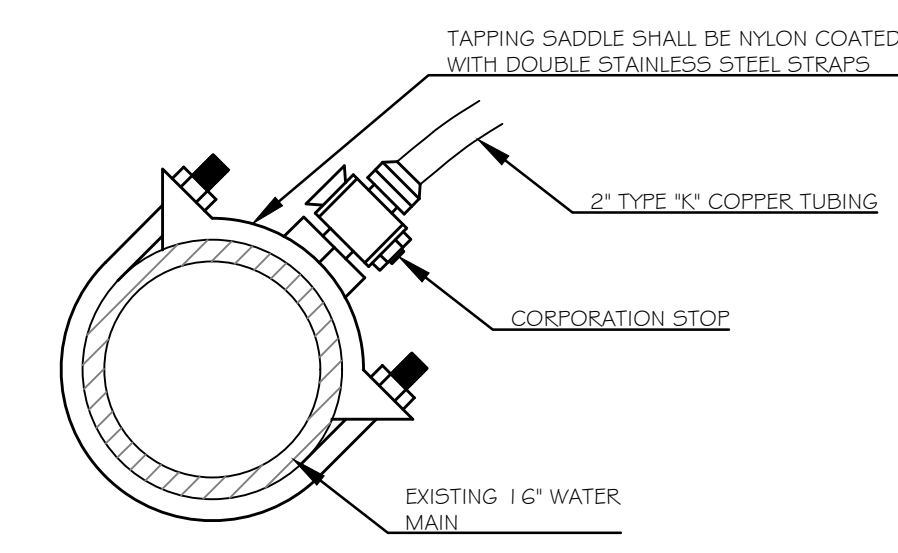
THRUST BLOCK PLACEMENT AT TEE(S)



THRUST BLOCK PLACEMENT AT BEND(S)

| SIZE REQUIREMENTS FOR CONCRETE THRUST BLOCKS | | | | | |
|--|-----------|-----------|--------------|----------|--|
| BEARING ON UNDISTURBED SOIL (SQUARE FT.) | | | | | |
| FITTINGS | 90° BENDS | 45° BENDS | TEES & FLUGS | HYDRANTS | |
| 4" | 2.0 | 1.0 | 1.0 | N/A | |
| 6" | 3.0 | 2.0 | 2.0 | 6.0 | |
| 8" | 5.0 | 3.0 | 4.0 | N/A | |

THRUST BLOCK SCHEDULE

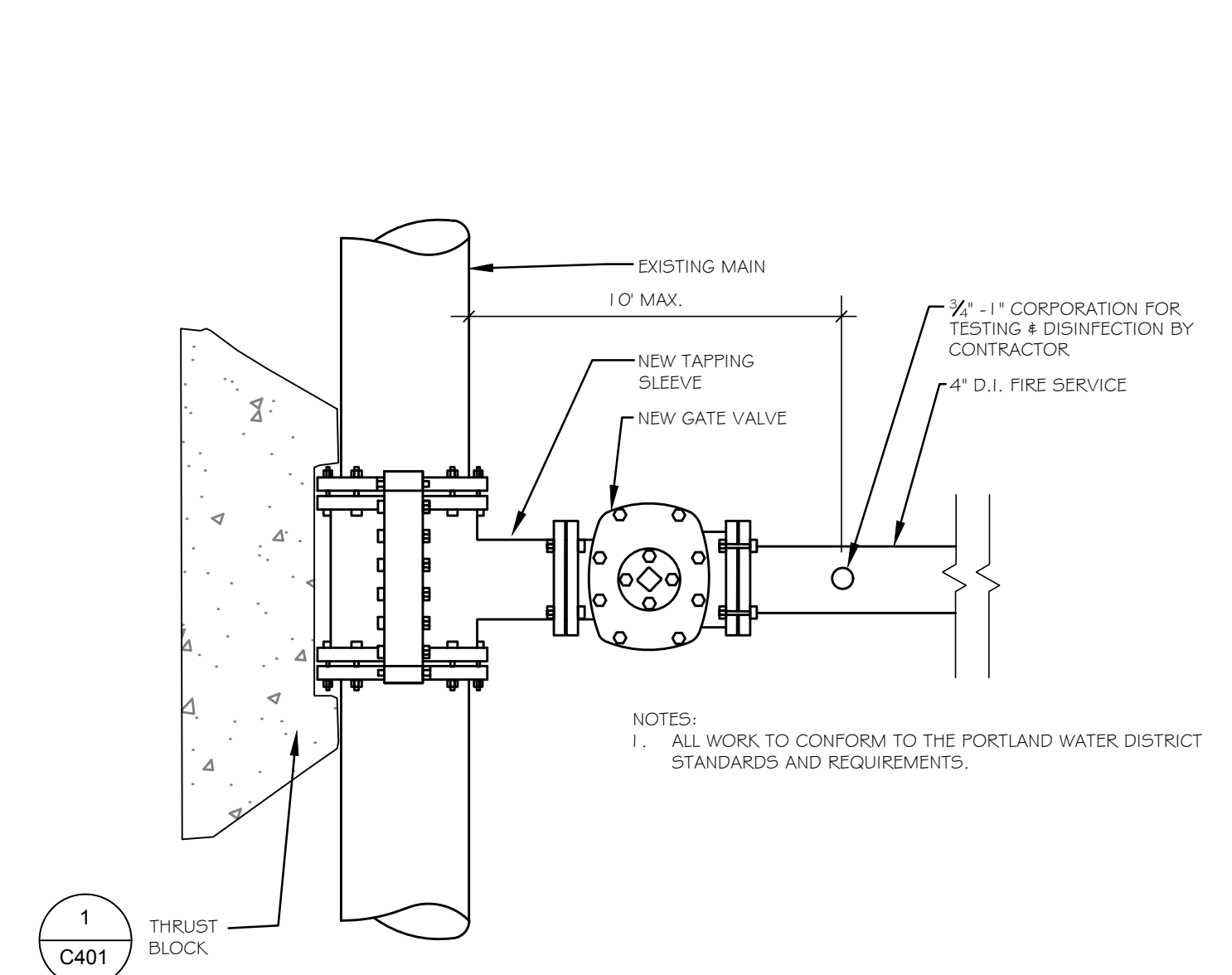


NOTES:
ALL WORK TO CONFORM TO THE PORTLAND WATER DISTRICT STANDARDS AND REQUIREMENTS.

2 STANDARD CORPORATION STOP DETAIL

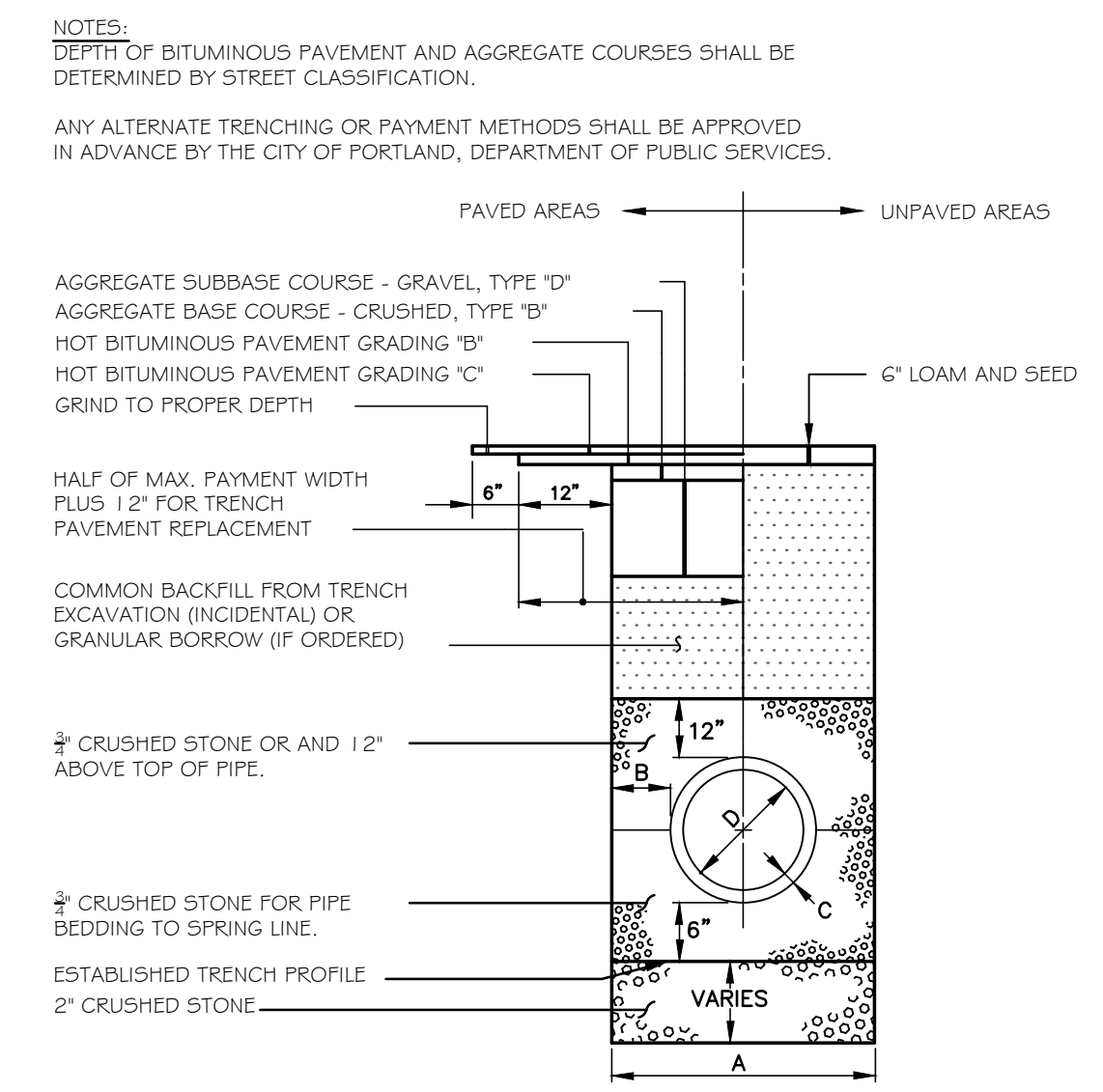
1 THRUST BLOCK DETAILS
C401 NOT TO SCALE

2 STANDARD CORPORATION STOP DETAIL
C401 NOT TO SCALE



NOTES:
1. ALL WORK TO CONFORM TO THE PORTLAND WATER DISTRICT STANDARDS AND REQUIREMENTS.

3 STANDARD TAPPING SLEEVE DETAIL (ALTERNATE #1)
C401

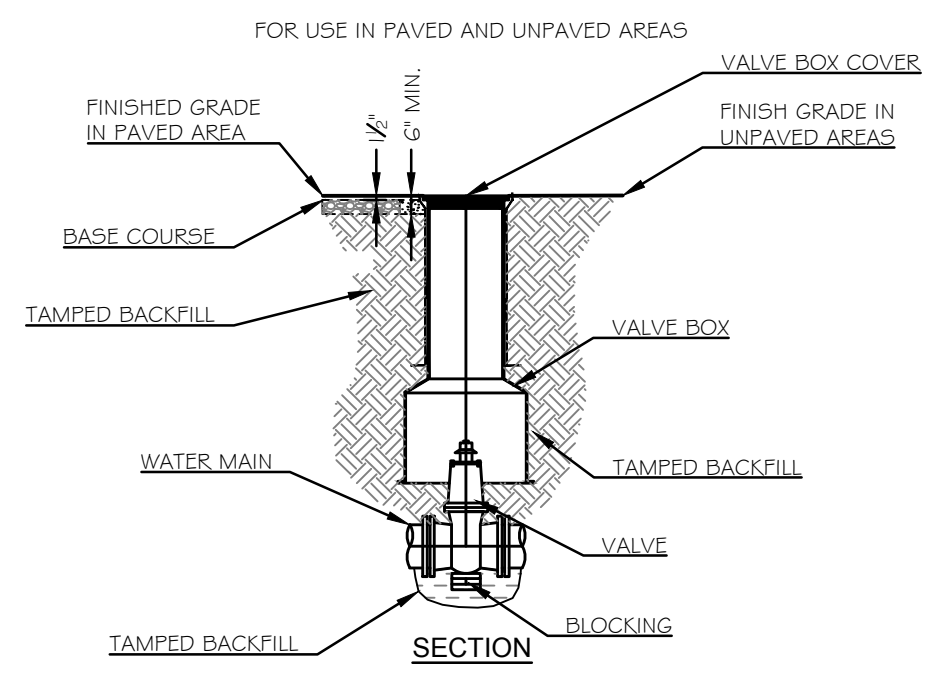


NOTES:
DEPTH OF BITUMINOUS PAVEMENT AND AGGREGATE COURSES SHALL BE DETERMINED BY STREET CLASSIFICATION.
ANY ALTERNATE TRENCHING OR PAYMENT METHODS SHALL BE APPROVED IN ADVANCE BY THE CITY OF PORTLAND, DEPARTMENT OF PUBLIC SERVICES.

- TYPICAL PIPE INSTALLATION NOTES**
- ALTERNATIVE CONSTRUCTION METHODS OR PAYMENT METHODS SHALL BE APPROVED IN ADVANCE BY THE CITY.
 - IN PAVED AREAS, DEPTHS OF GRAVEL AND HOT MIX ASPHALT PAVEMENT SHALL MATCH THE GREATER OF EXISTING CONDITIONS OR THE REQUIREMENTS FOR THE CORRESPONDING STREET CLASSIFICATION.
 - DIMENSION B SHALL BE SUFFICIENT TO ALLOW CRUSHED STONE BEDDING TO BE PLACED AND COMPACTED UNDER THE HAUNCHES OF THE PIPE, BUT IN ALL CASES DIMENSION B SHALL BE AT LEAST 9".
 - DIMENSION A IS THE MAXIMUM WIDTH ALLOWED FOR CALCULATING PAY QUANTITIES UNDER GRANULAR BORROW, CRUSHED STONE, STRUCTURAL EARTH EXCAVATION, AND STRUCTURAL ROCK EXCAVATION. DIMENSION A SHALL BE BASED ON PIPE DIAMETER D, AS SET FORTH IN THE FOLLOWING TABLE.

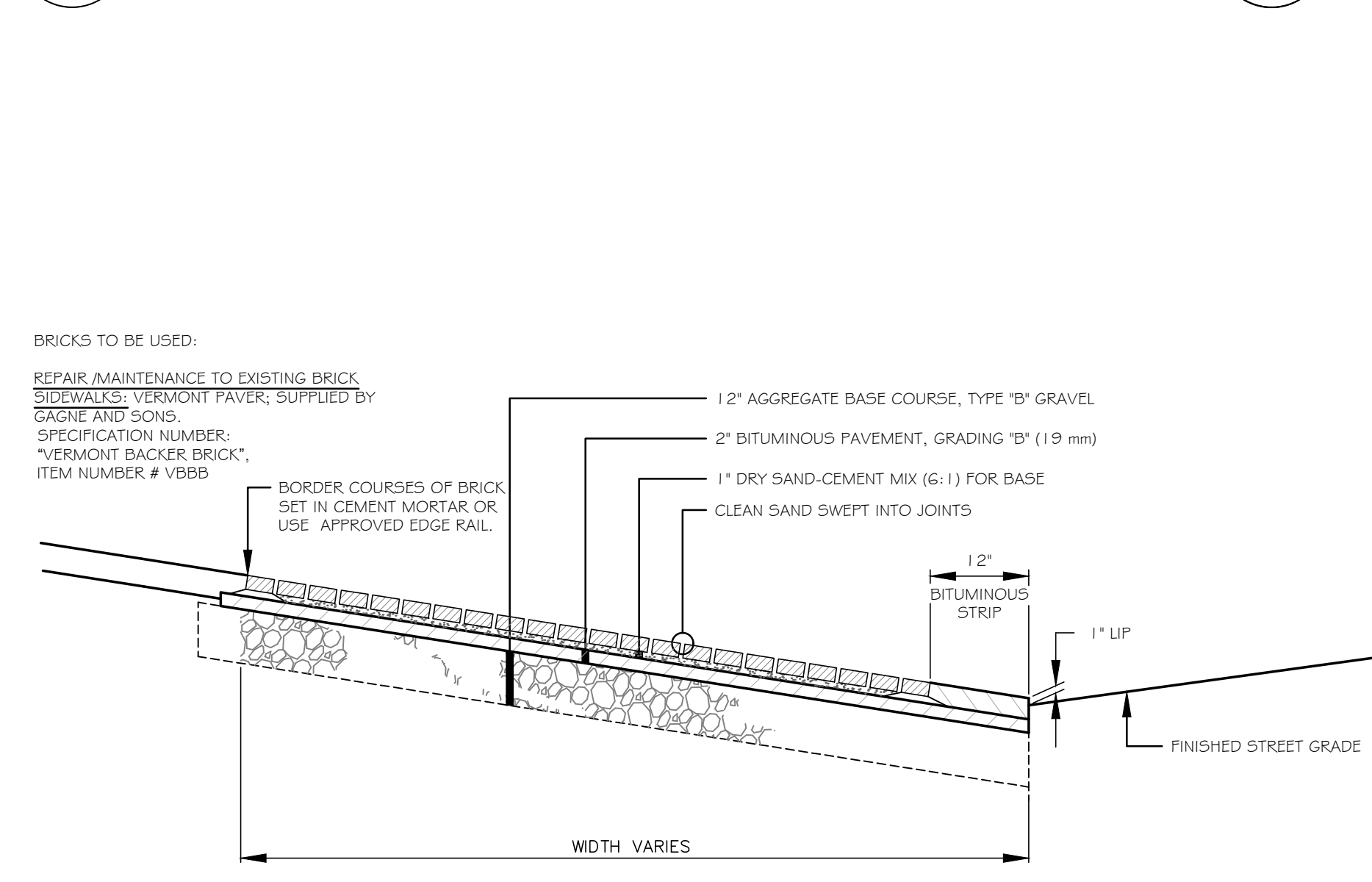
| PIPE DIAMETER, D (INCHES) | MAX. TRENCH WIDTH, A (FEET) |
|---------------------------|-----------------------------|
| 4 | 4.0 |
| 6 | 4.0 |
| 8 | 4.0 |
| 10 | 4.0 |
| 12 | 5.0 |
| 15 | 5.0 |
| 18 | 5.0 |
| 21 | 5.0 |
| 24 | 6.0 |
| 27 | 6.0 |
| 30 | 6.0 |
| 36 | 6.0 |
| 42 | 7.0 |
| 48 | 7.0 |

4 TYPICAL PIPE TRENCH & ROAD REPAIR DETAIL
C401 NOT TO SCALE

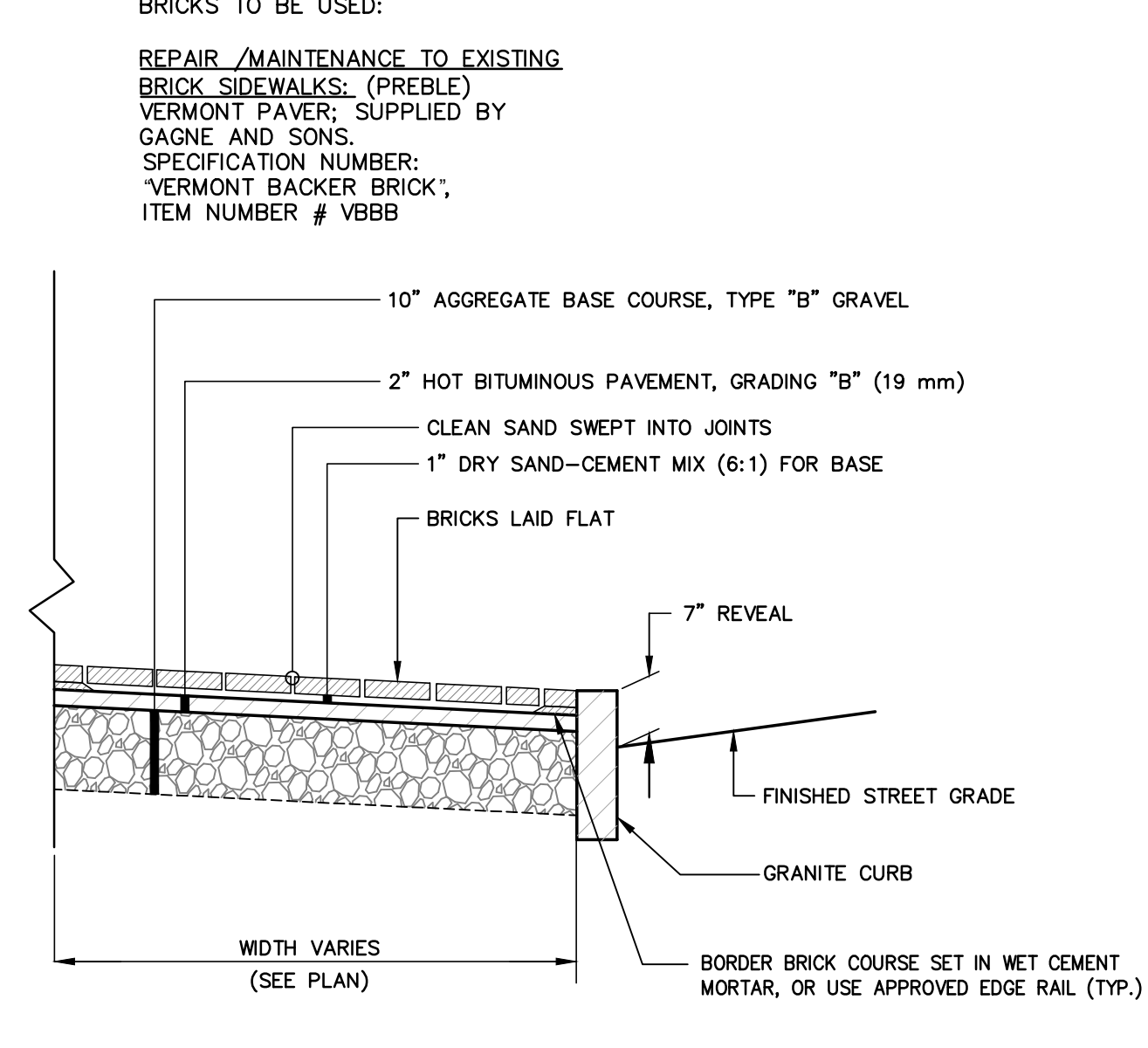


NOTES:
1. ALL WORK TO CONFORM TO THE MAINE WATER COMPANY STANDARDS AND REQUIREMENTS.
2. D.I.P. MAY BE USED FOR VALVE BOX EXTENSIONS.
3. VALVE BOX SHOULD NOT CONTACT WATER MAIN OR VALVE.
4. CONCRETE PROTECTOR RING SHALL BE USED IN ALL UNPAVED AREAS.

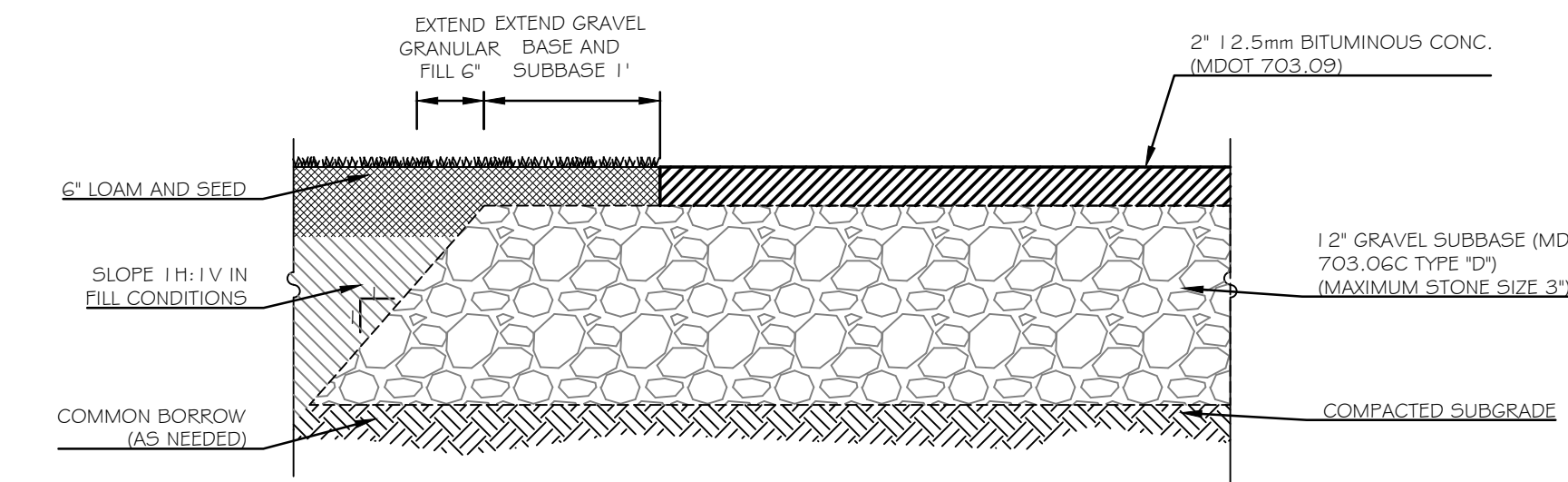
5 VALVE AND VALVE BOX INSTALLATION DETAIL
C401 NOT TO SCALE



6 BRICK DRIVEWAY APRON WITH BITUMINOUS BASE
C401 NOT TO SCALE



7 BRICK SIDEWALK WITH BITUMINOUS BASE
C401 NOT TO SCALE



8 PAVED SIDEWALK SECTION
C401 NOT TO SCALE

REVISIONS

| | |
|---|--|
| 1 | |
| 2 | |
| 3 | |
| 4 | |
| 5 | |
| 6 | |

