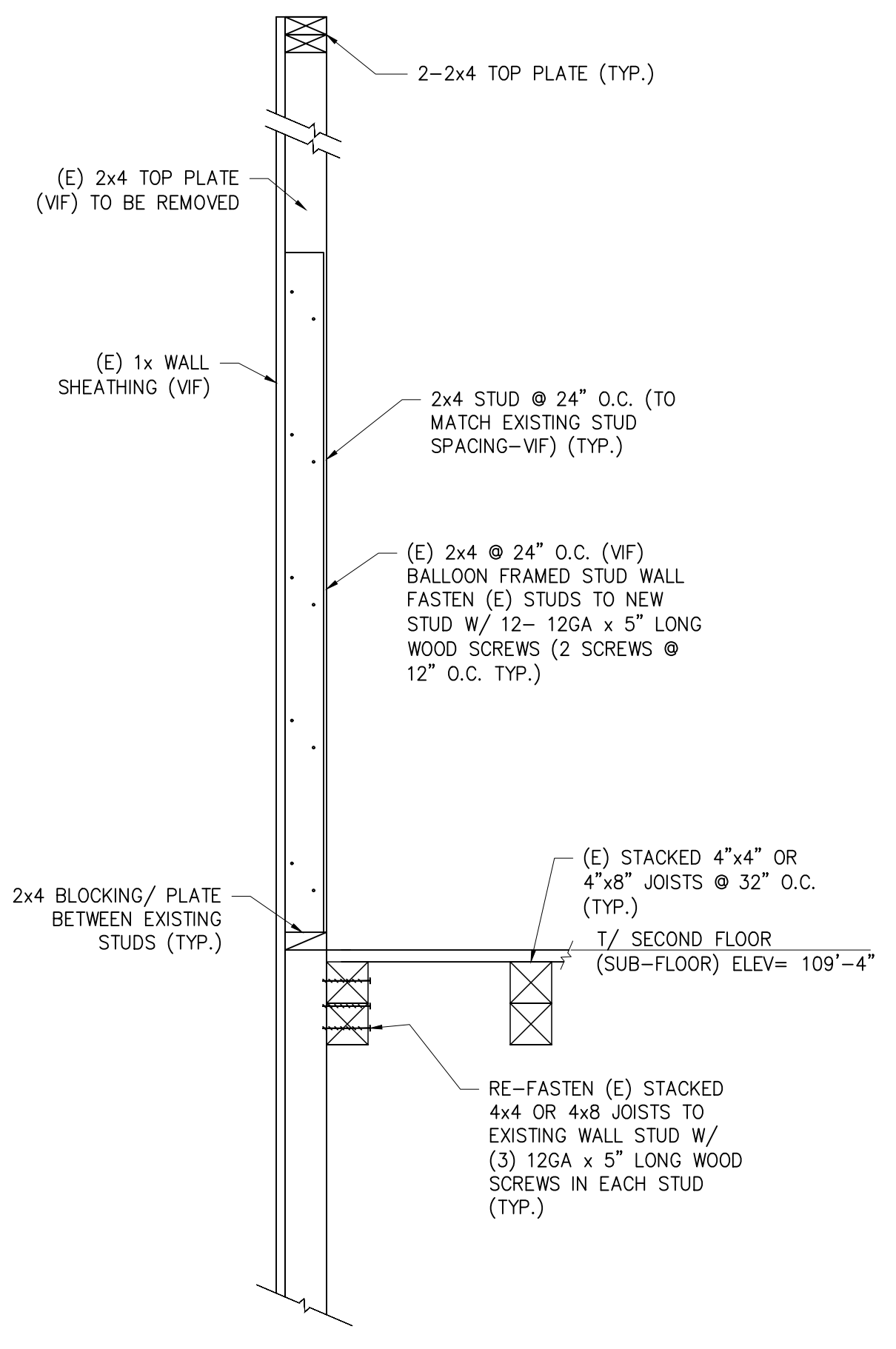
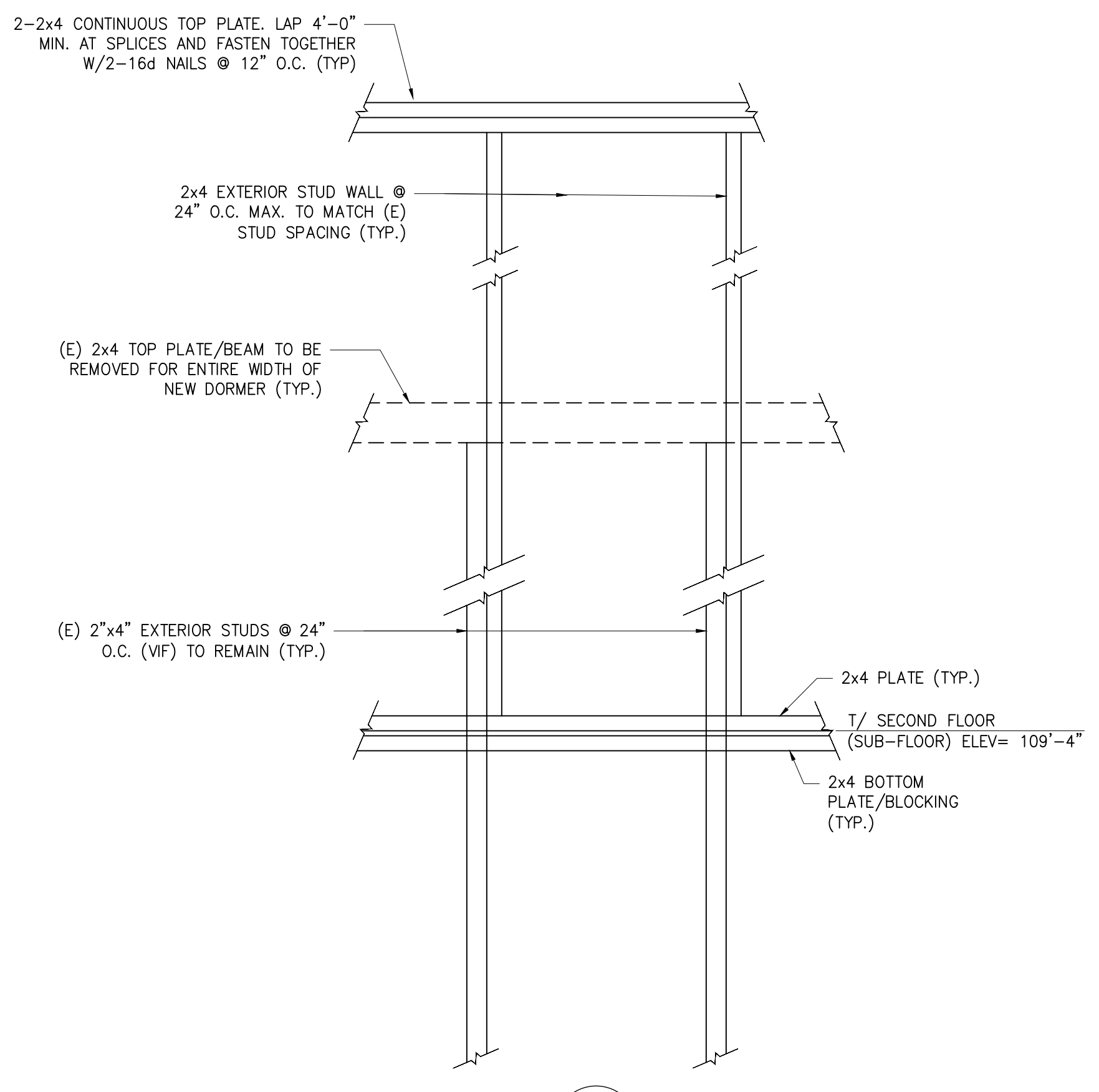


SECTION 1
1/2" = 1'-0"
S1.0

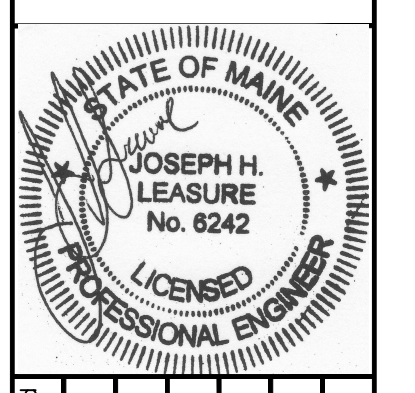


DETAIL A
1" = 1'-0"
S2.0



SECTION 2
1" = 1'-0"
S1.0

L & L STRUCTURAL ENGINEERING SERVICES, INC.
SIX O STREET
SOUTH PORTLAND, MAINE 04106
PHONE: (207) 767-4830
FAX: (207) 799-5432
EMAIL: JLEASURE@L-ENG.COM



rev.	date	description	approved
A	08/04/17	FOR DISCUSSION & COORD.	JHL
B	08/18/17	FOR PERMIT & PRING	JHL
		scale AS NOTED	
		date: 07/06/2017	
		plot date: 08/18/2017	
		project #: 2017-0300	

BUILDING LOCATED AT
77 CONGRESS STREET (REAR)
PORTLAND, MAINE
STRUCTURAL RENOVATIONS
SECTIONS AND DETAILS

S2.0

THESE DRAWINGS HAVE BEEN DEVELOPED BY L&L STRUCTURAL ENGINEERING SERVICES, INC. FOR THE TITLED SET ONLY. THE DRAWINGS ARE THE SOLE PROPERTY OF L&L ENGINEERING SERVICES, INC. AND THEY SHALL NOT BE USED, LENT, COPIED OR ALTERED WITHOUT THE WRITTEN CONSENT OF L&L STRUCTURAL ENGINEERING SERVICES, INC.