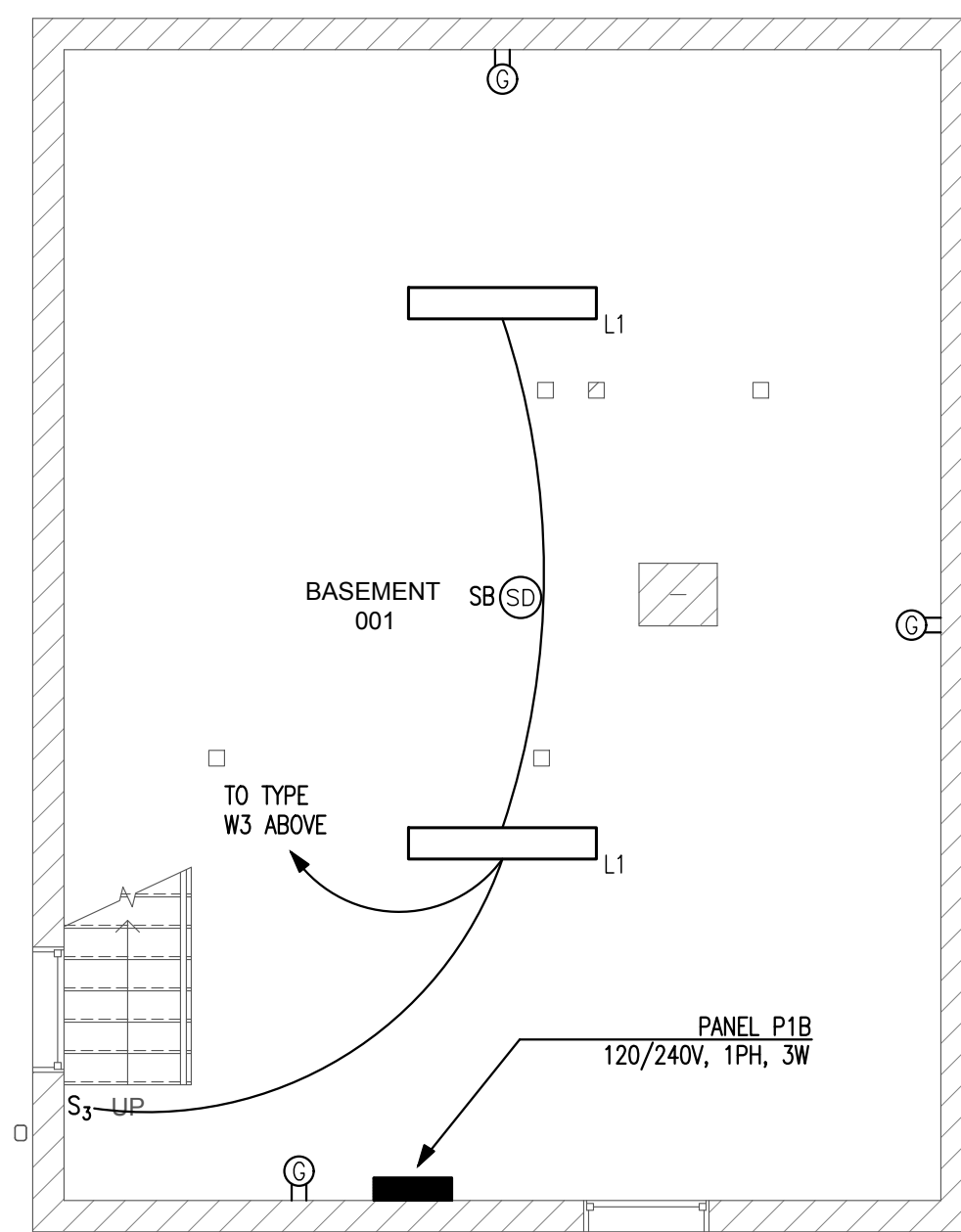
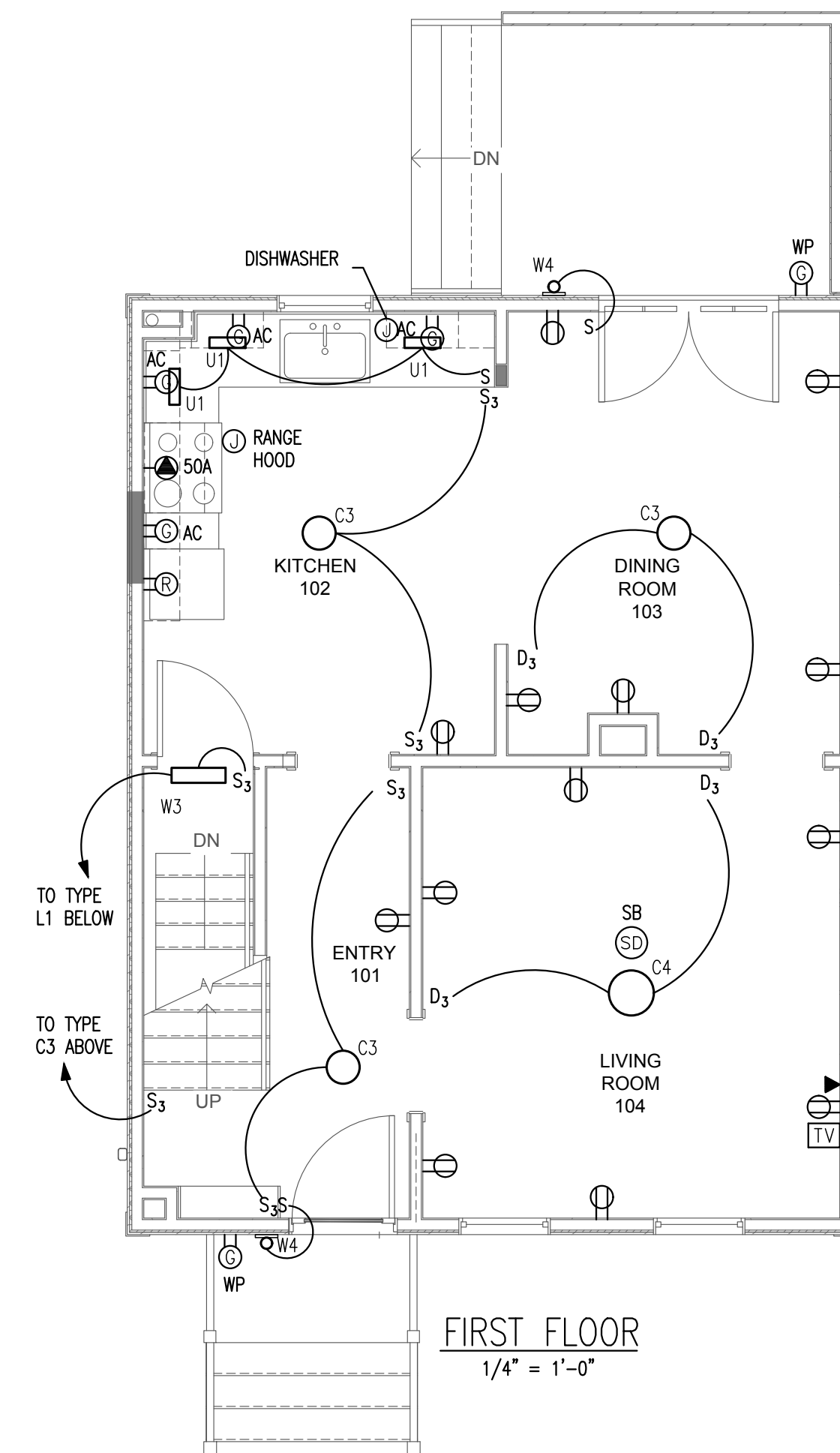


SECOND FLOOR  
1/4" = 1'-0"



BASEMENT  
1/4" = 1'-0"



FIRST FLOOR  
1/4" = 1'-0"