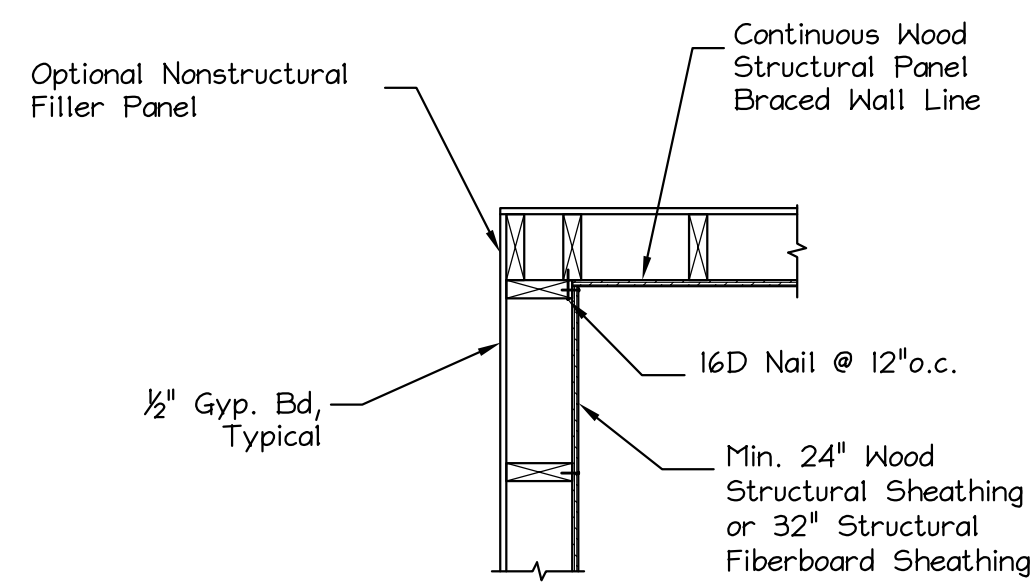
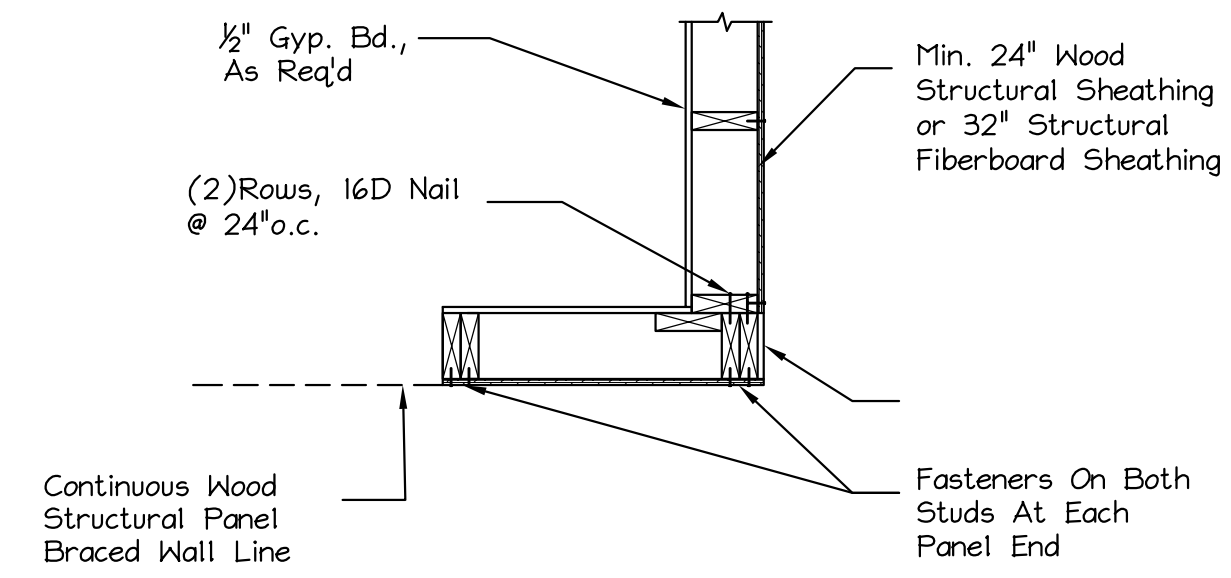


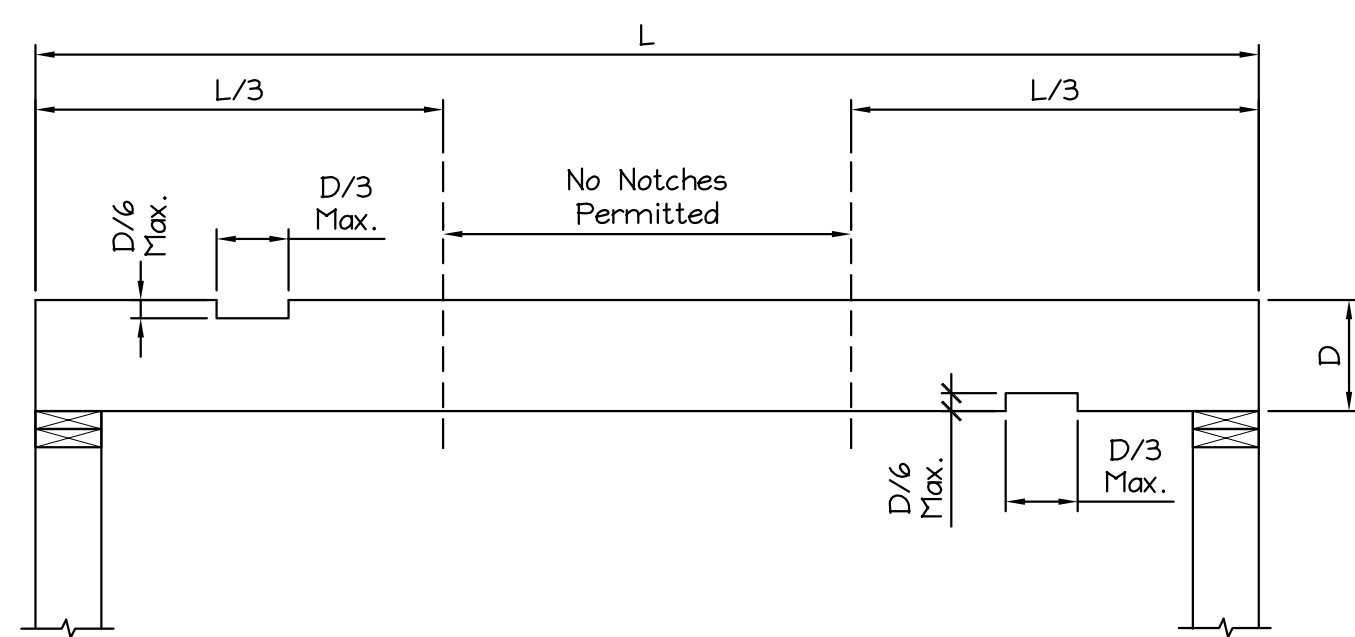
Detail - Typical Corner Post Framing: Outside Corner
Scale: 3/4" = 1'-0"



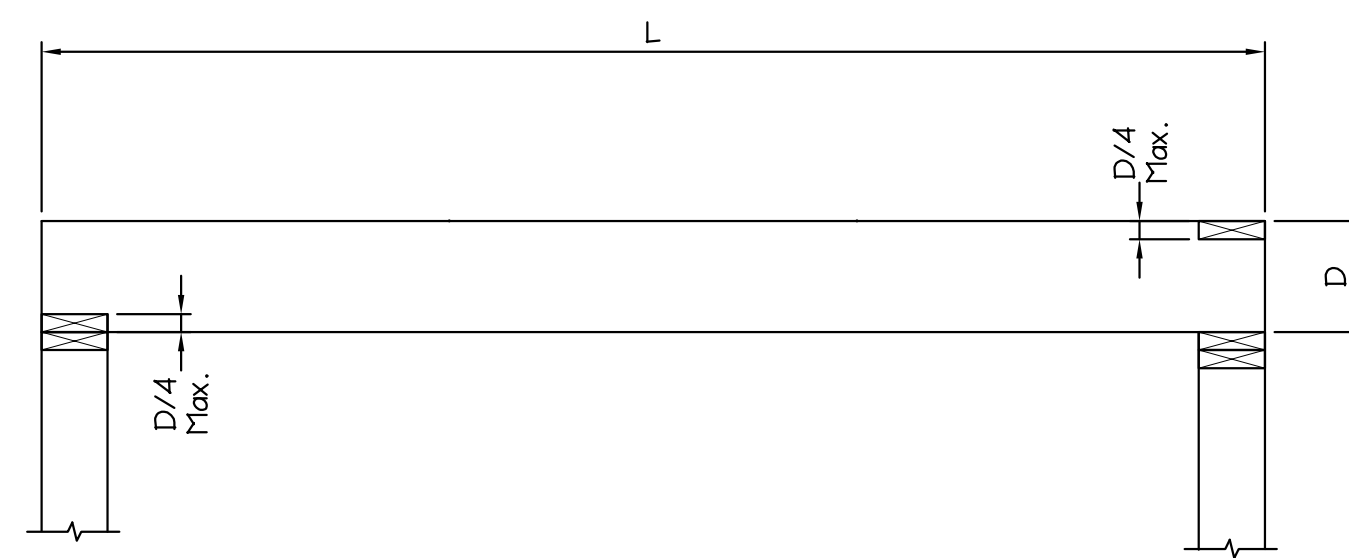
Detail - Typical Corner Post Framing: Inside Corner
Scale: 3/4" = 1'-0"



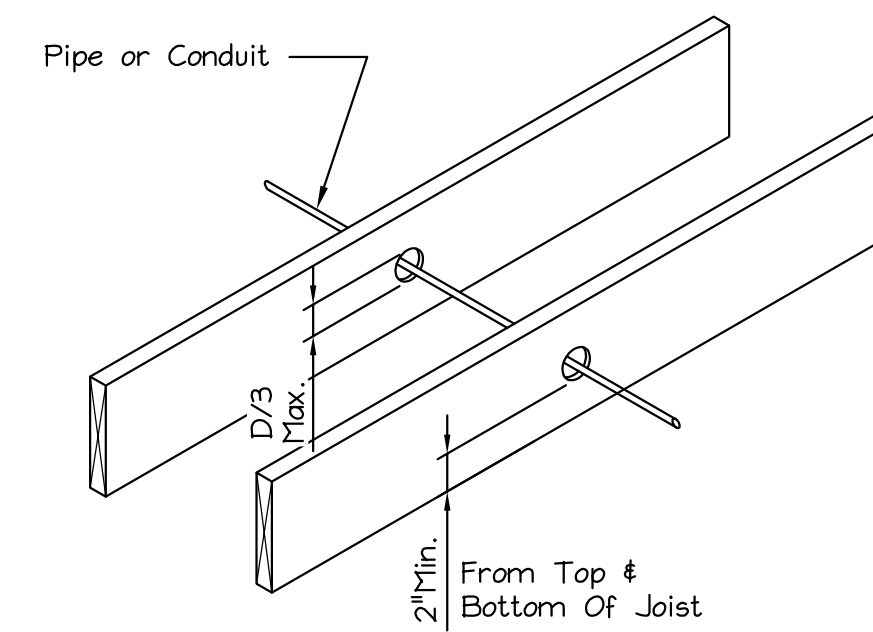
Detail - Garage Door Corner
Scale: 3/4" = 1'-0"



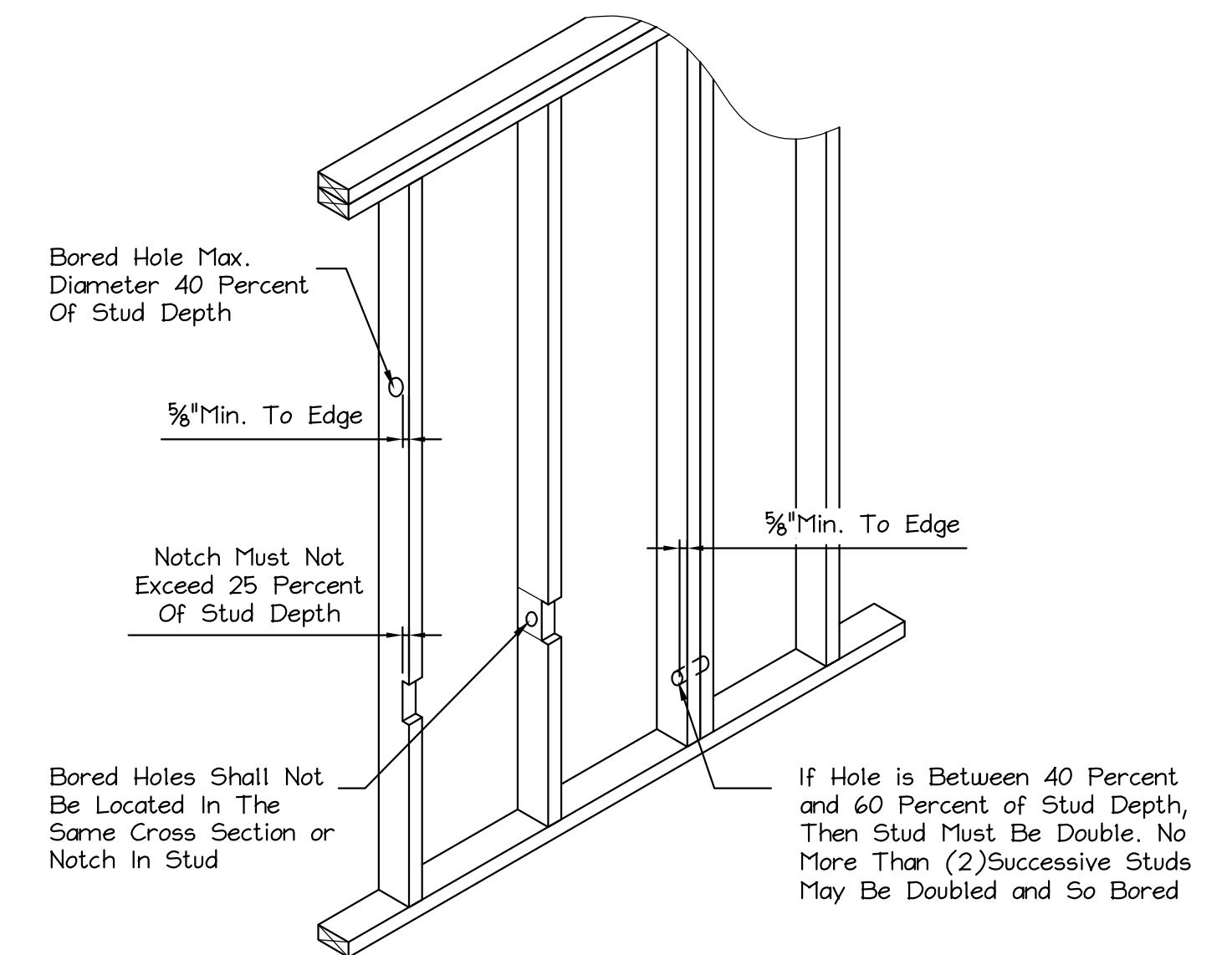
Detail - Floor Joist - Allowable Center Cuts
Scale: 3/4" = 1'-0"



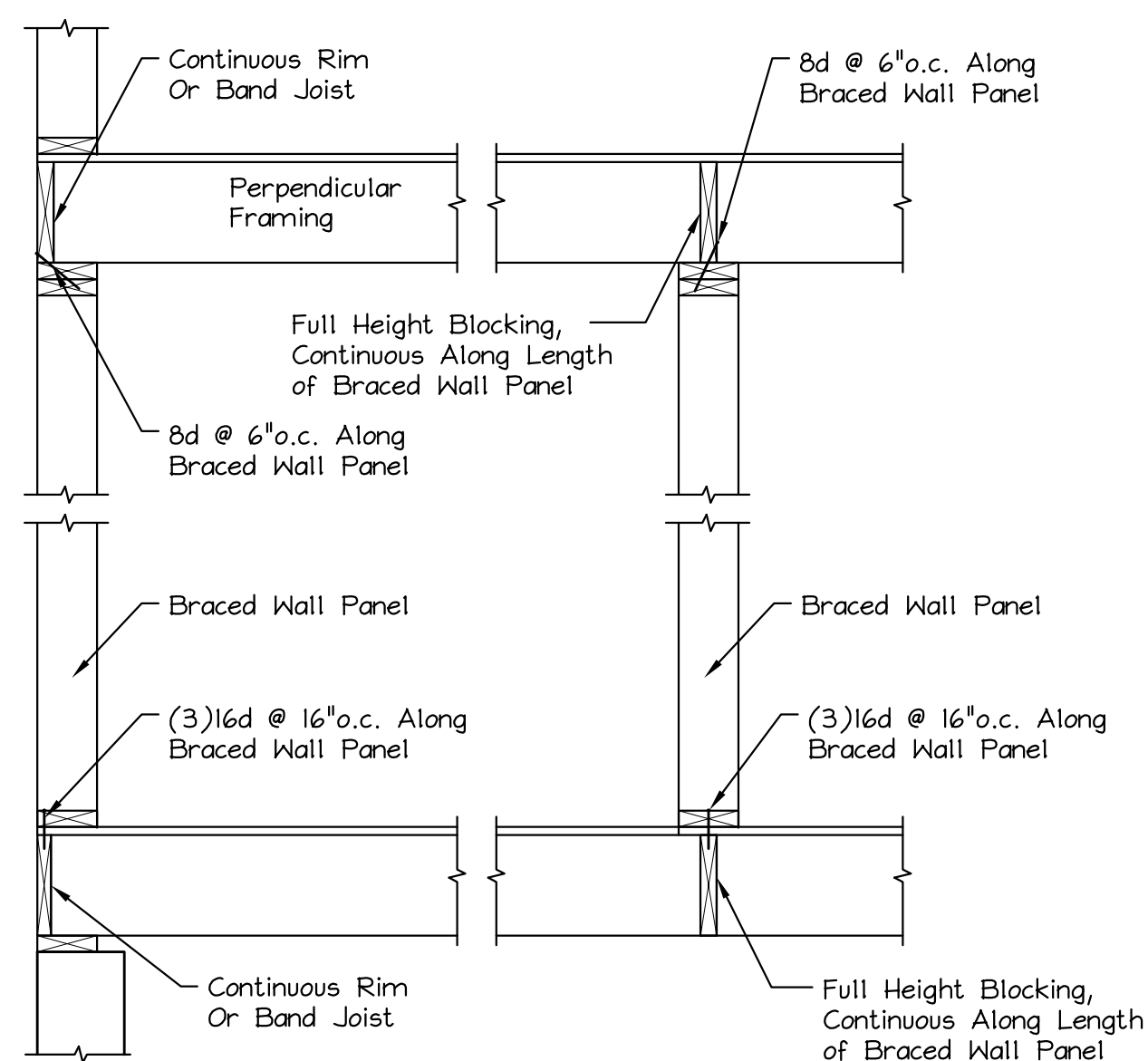
Detail - Floor Joist - Allowable End Cuts
Scale: 3/4" = 1'-0"



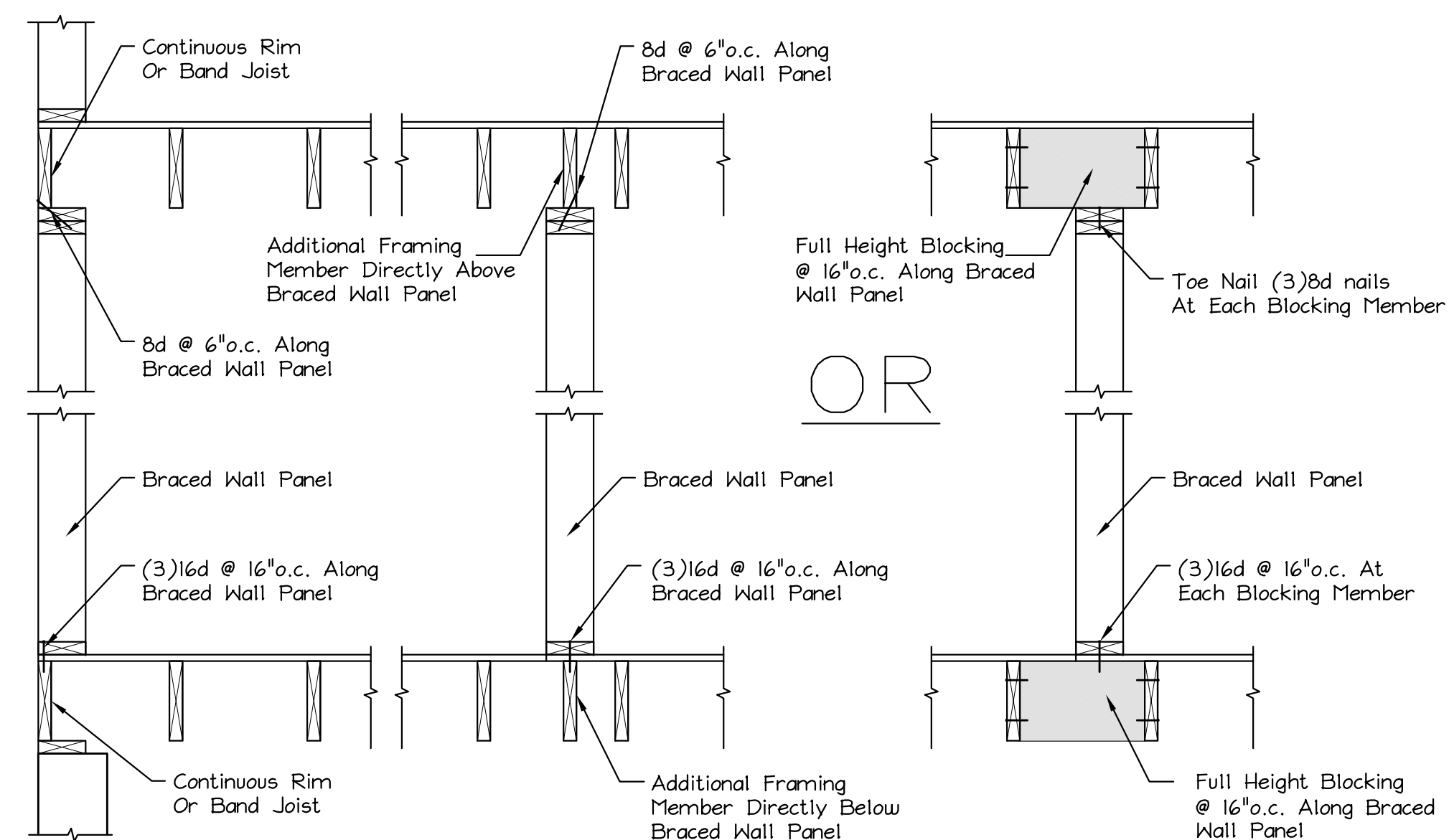
Detail - Floor Joist - Allowable Holes
Scale: 3/4" = 1'-0"



Notching & Bored Hole Limitations
Detail - Exterior & Bearing Walls
Scale: 3/4" = 1'-0"



Detail - Braced Wall Panel Connections: Perpendicular
Scale: 3/4" = 1'-0"



Detail - Braced Wall Panel Connections: Parallel
Scale: 3/4" = 1'-0"

MacLeod Structural Engineers, PA		
90 Bridge Street Suite 252 Westbrook, Maine 04092 207.839.0980		
5 Merrill St.		
Portland, Maine		
TITLE: General Wall Framing Details		
DATE: 04/05/17	DRAWN BY: BIM	DRAWING NUMBER:
SCALE: as noted	PROJ NO: 2017-033	