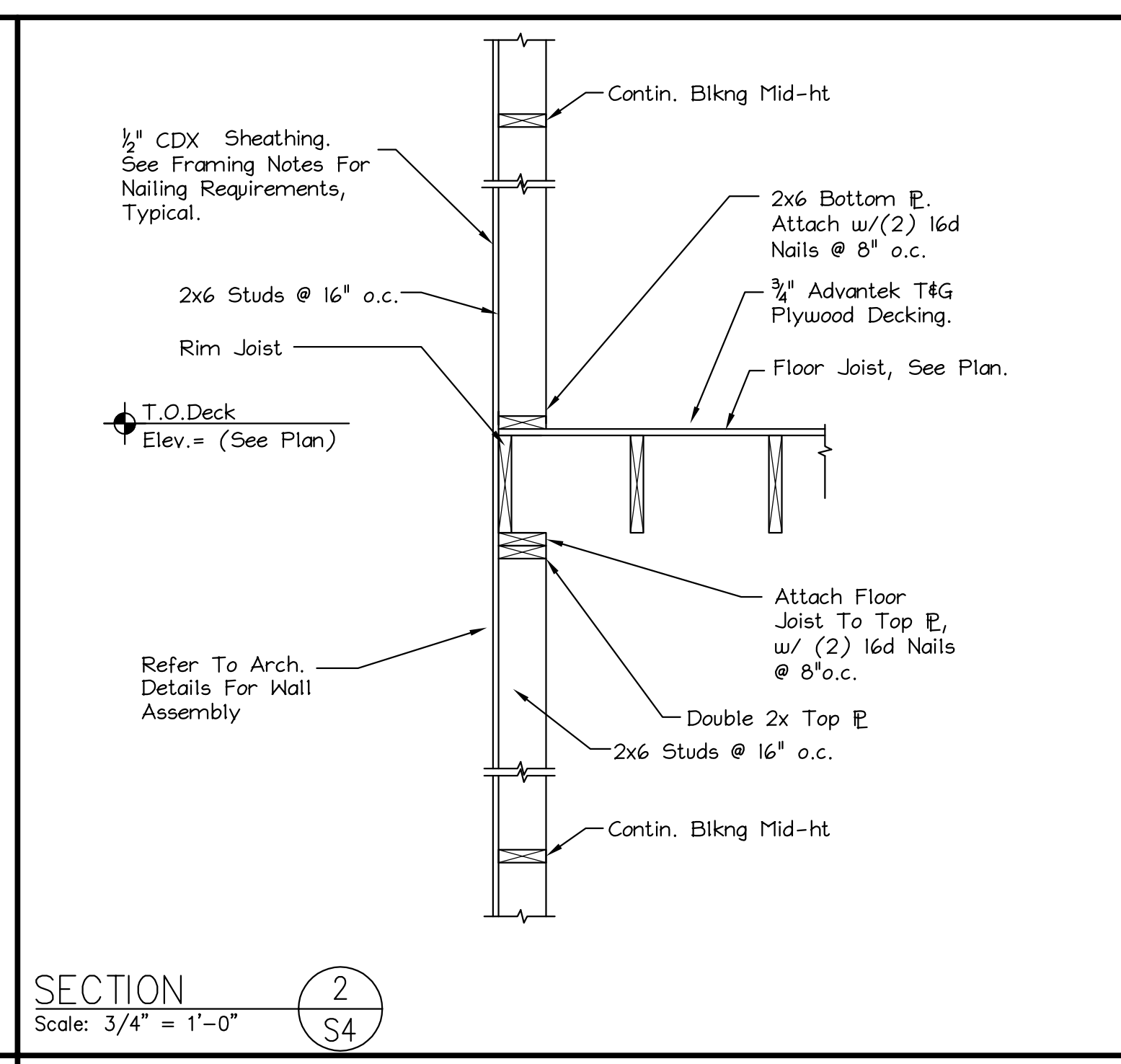
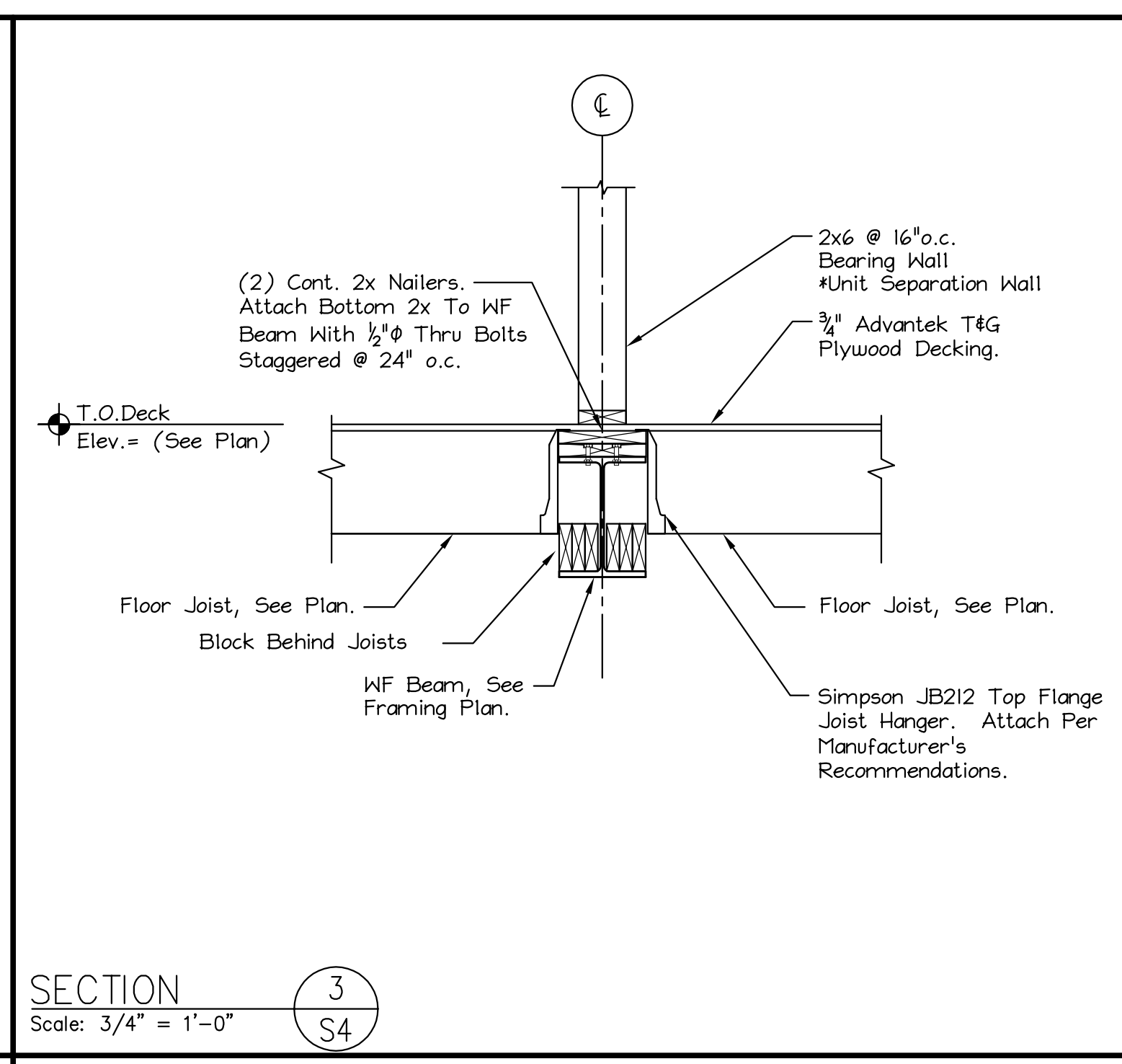


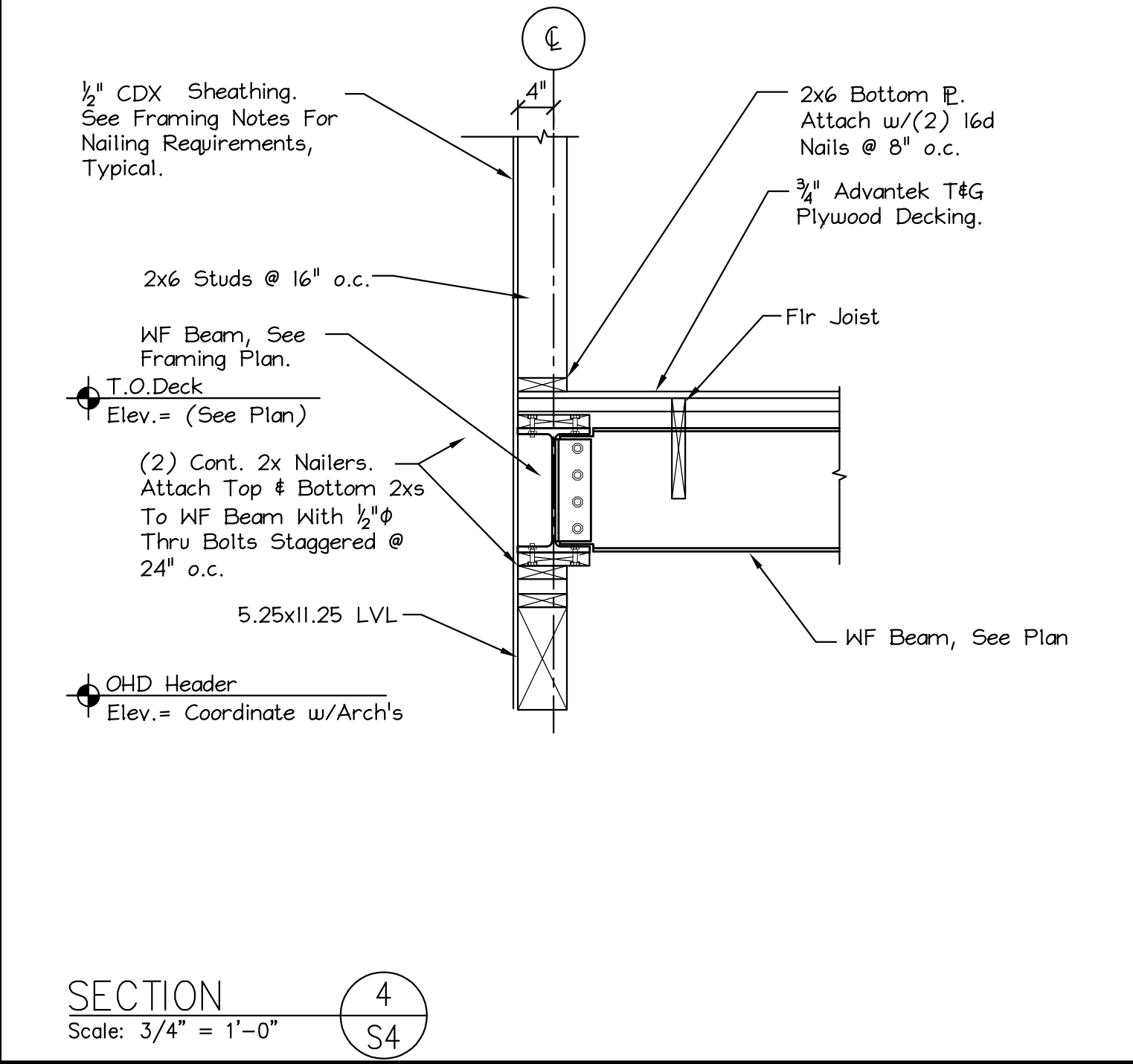
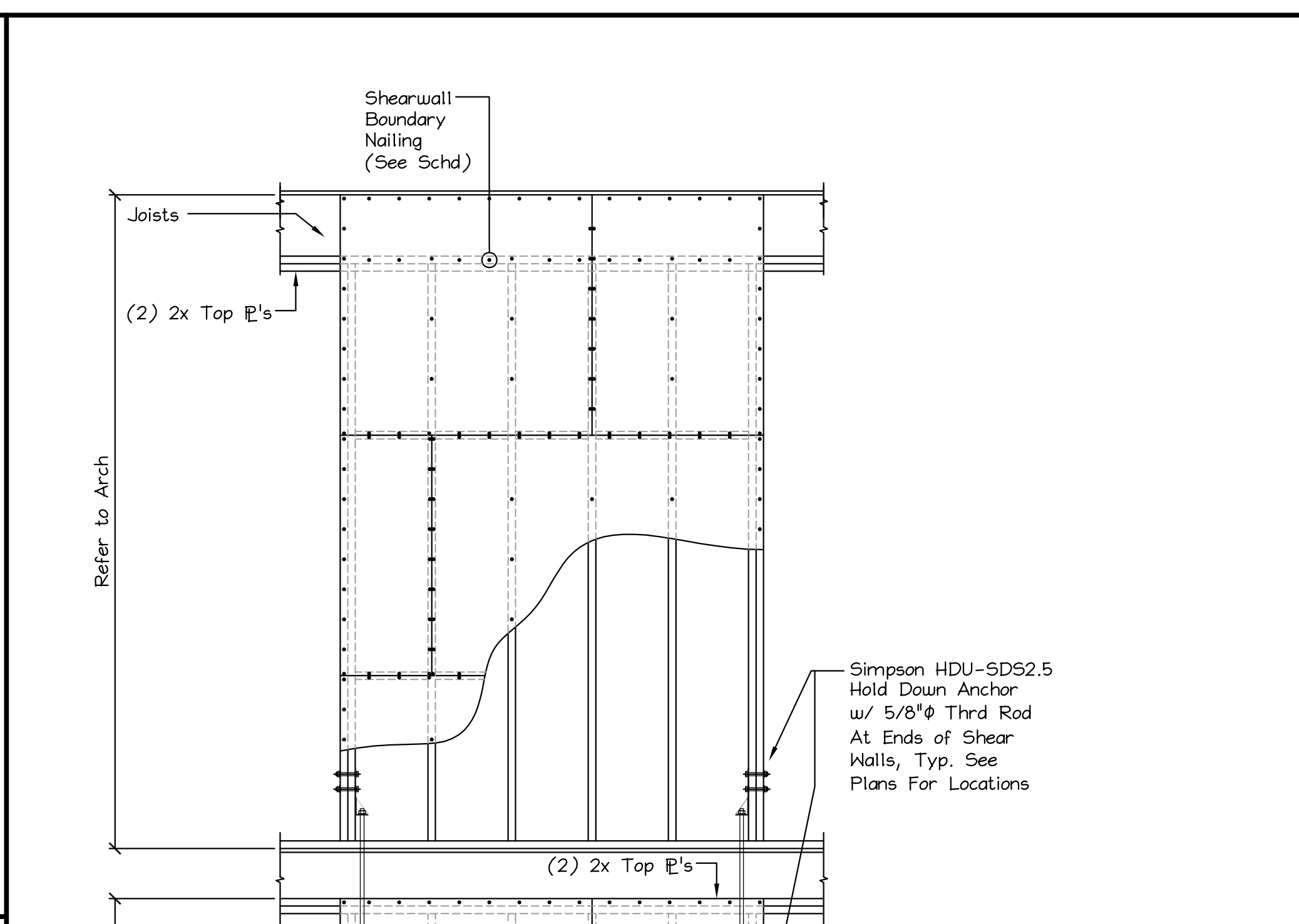
SECTION 1
Scale: 3/4" = 1'-0"
S4



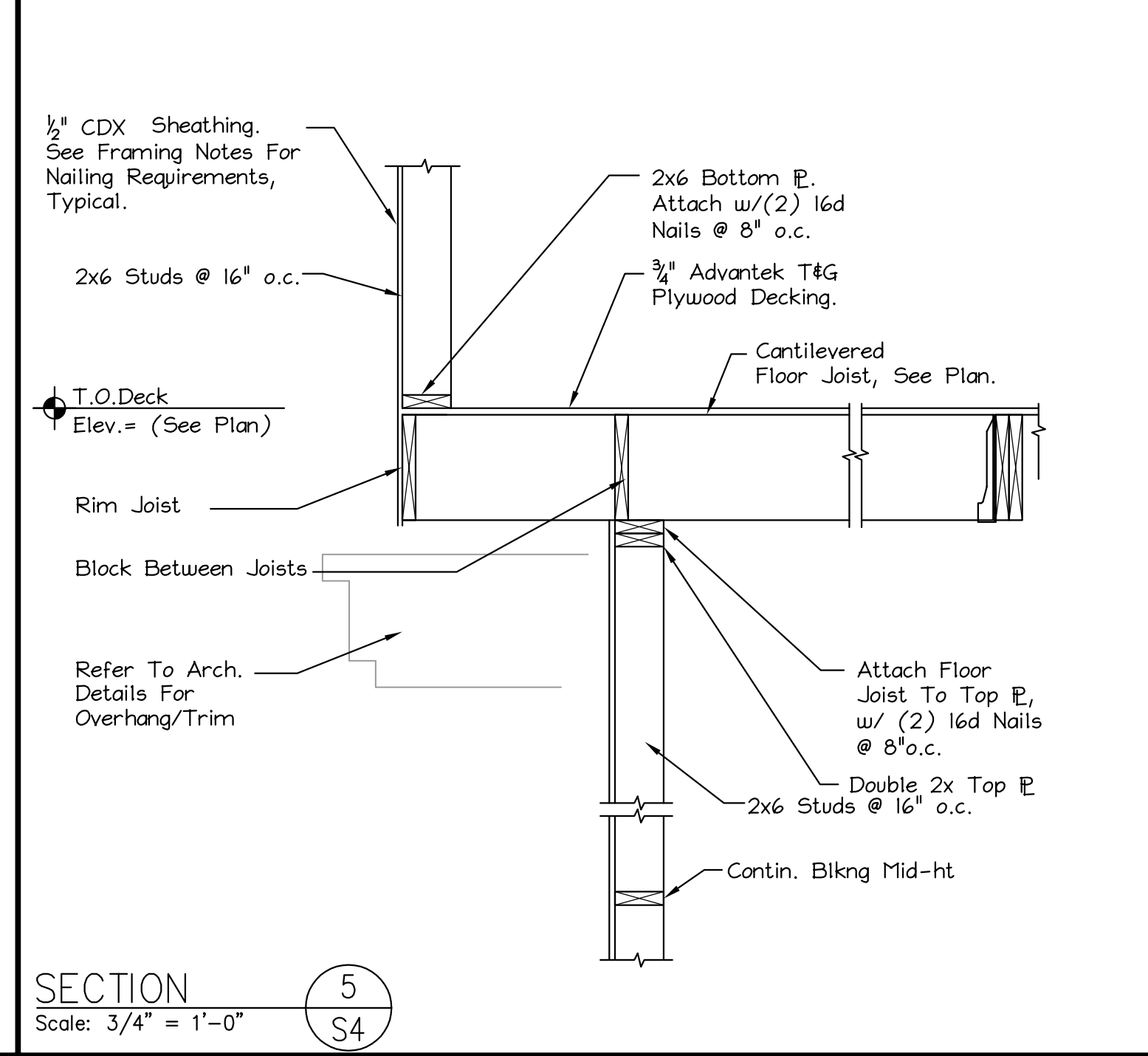
SECTION 2
Scale: 3/4" = 1'-0"
S4



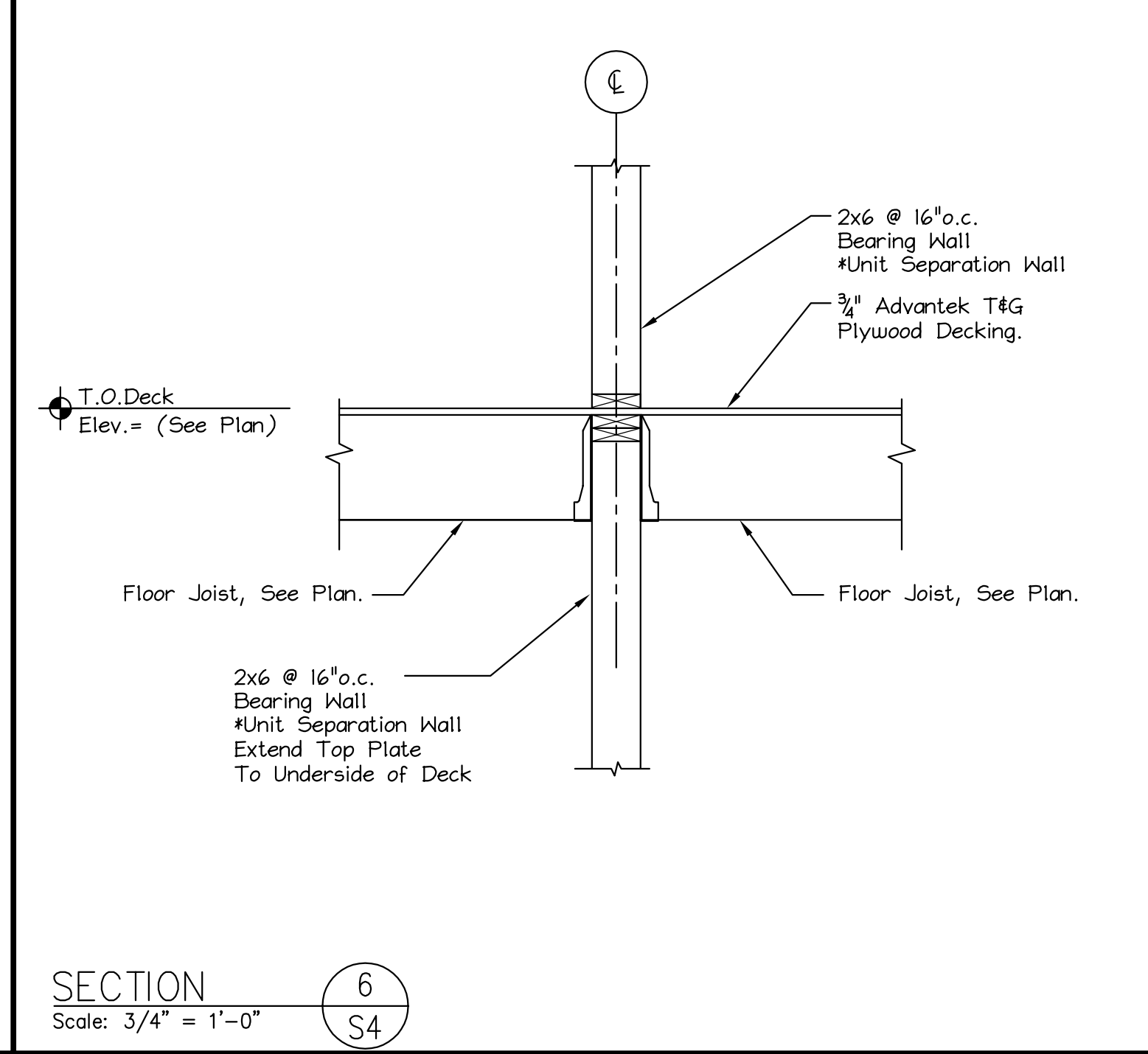
SECTION 3
Scale: 3/4" = 1'-0"
S4



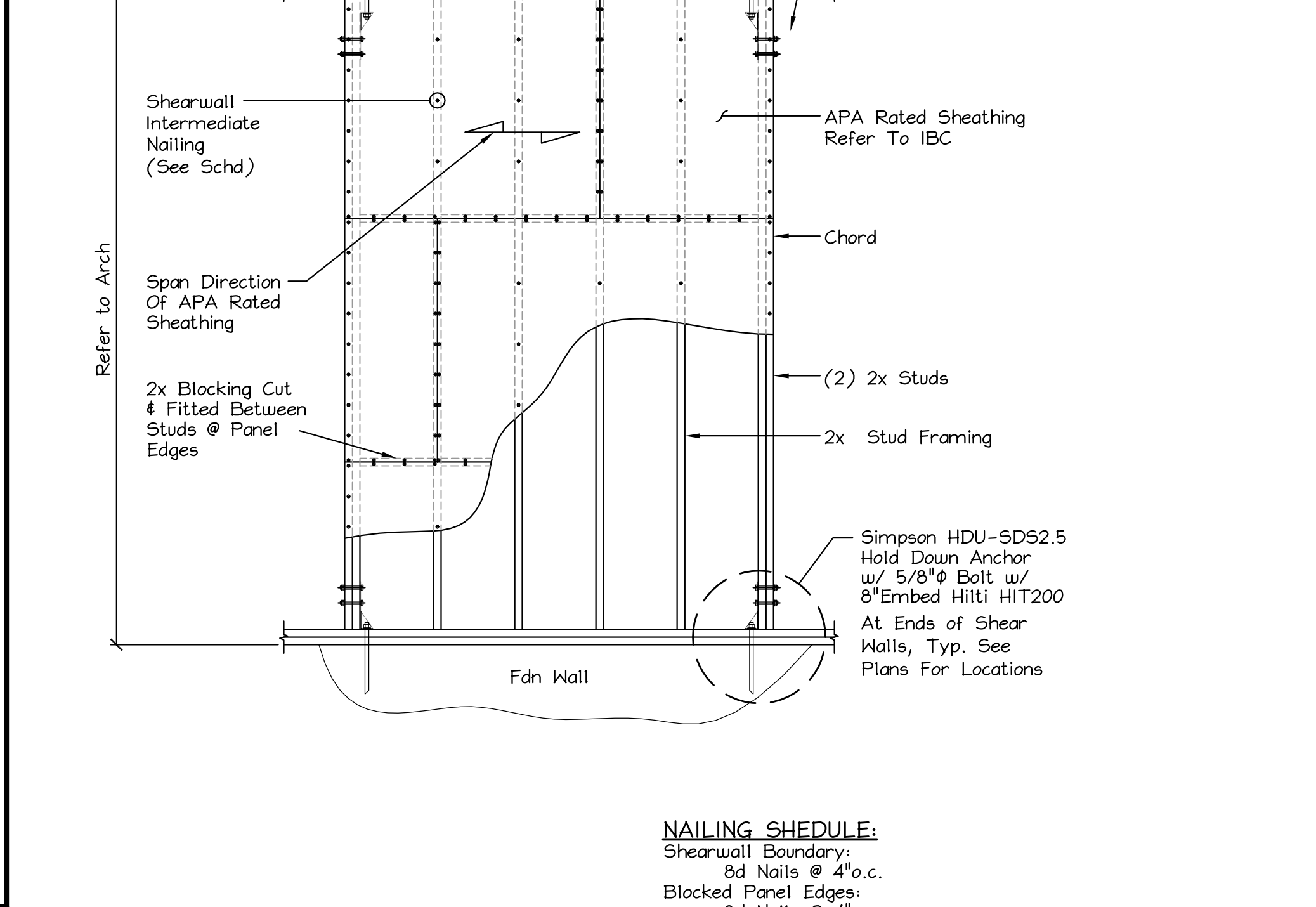
SECTION 4
Scale: 3/4" = 1'-0"
S4



SECTION 5
Scale: 3/4" = 1'-0"
S4

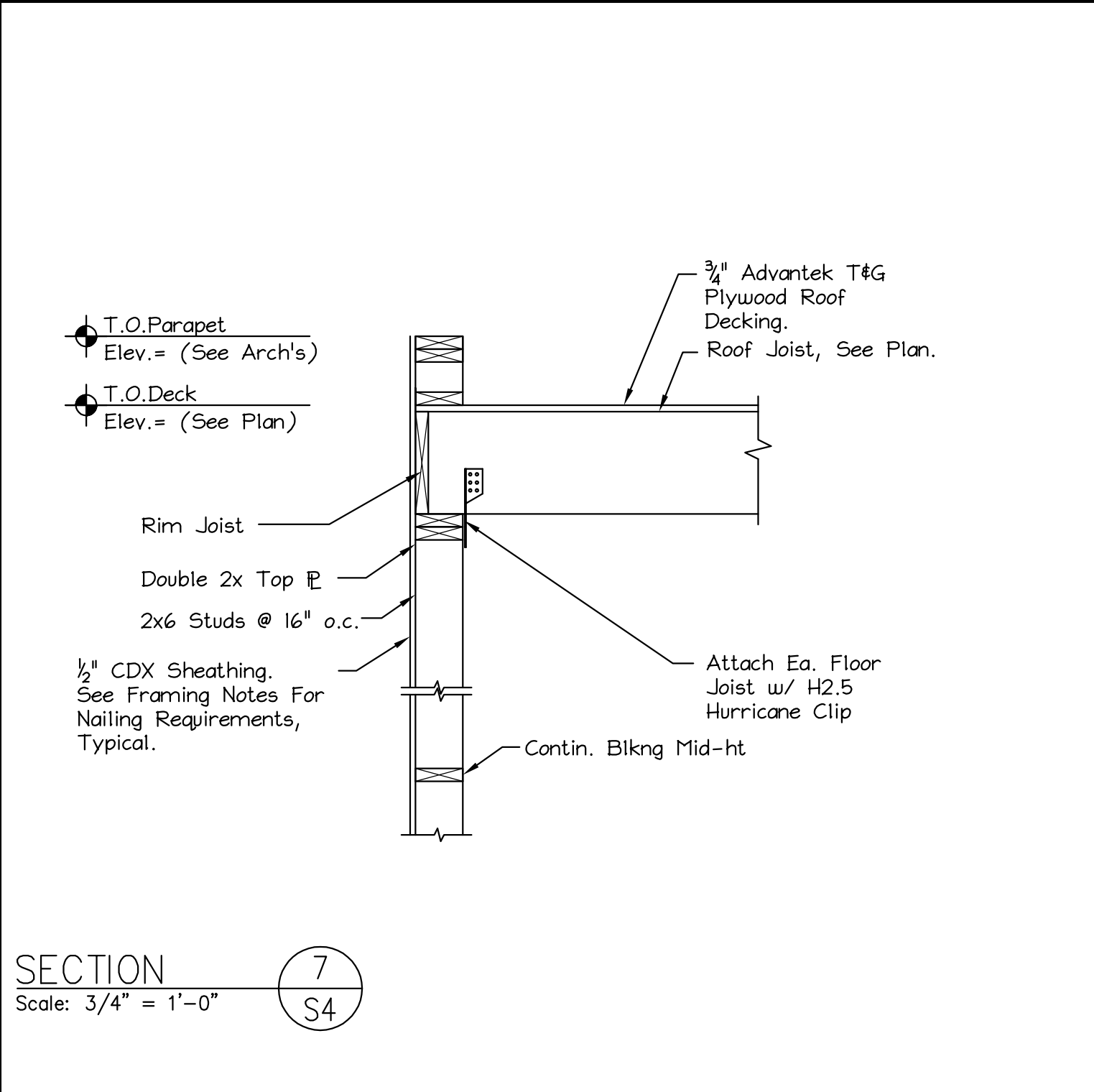


SECTION 6
Scale: 3/4" = 1'-0"
S4

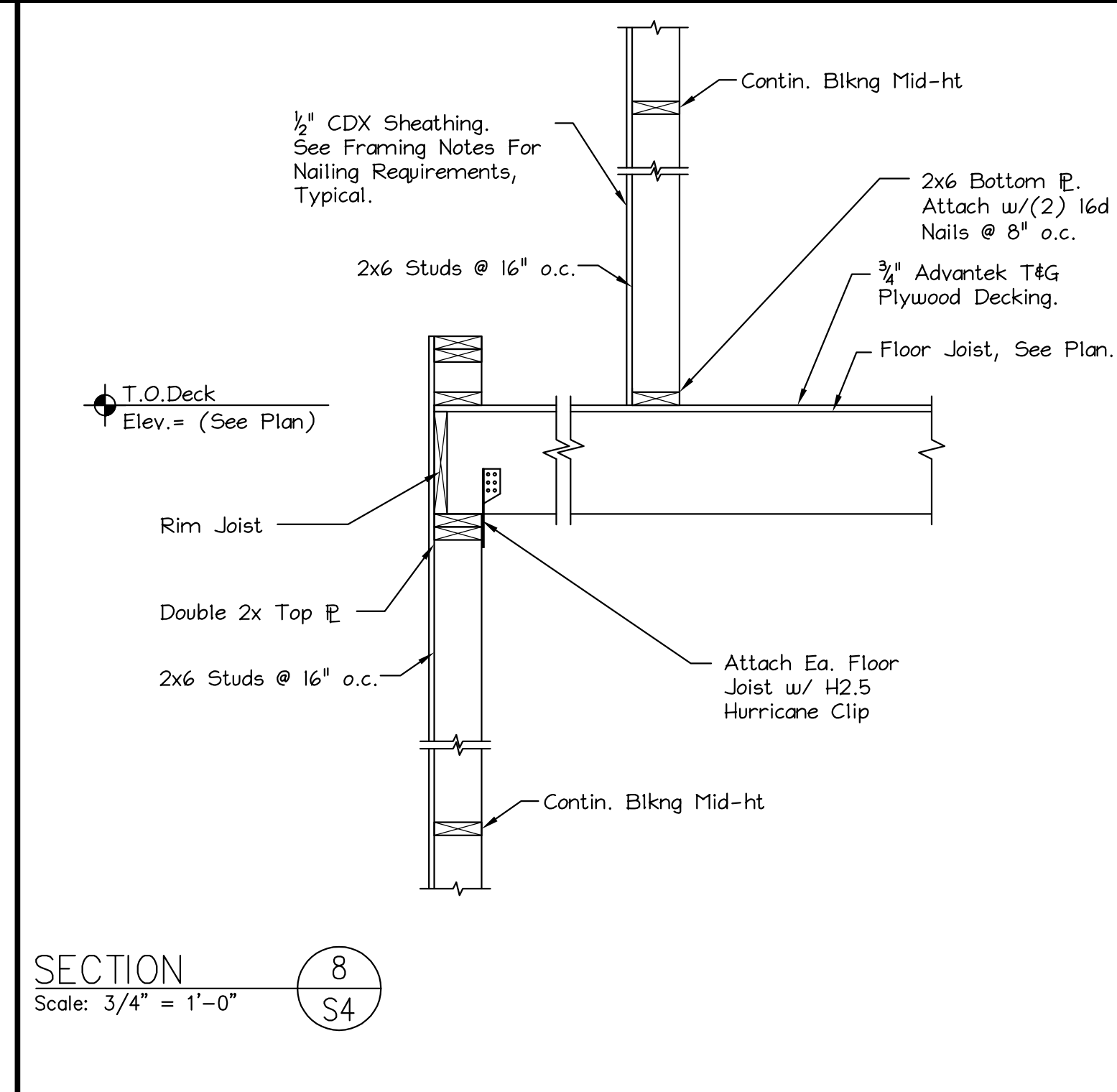


NAILING SCHEDULE:
 Shearwall Boundary: 8d Nails @ 4" o.c.
 Blocked Panel Edges: 8d Nails @ 4" o.c.
 Intermediate Support (Field): 8d Nails @ 12" o.c.

DETAIL - Shear Wall
Scale: 1/2" = 1'-0"



SECTION 7
Scale: 3/4" = 1'-0"
S4



SECTION 8
Scale: 3/4" = 1'-0"
S4

MacLeod Structural Engineers, PA		
80 Bridge Street, Suite 252 Westbrook, Maine 04092 207.839.0980		
5 Merrill St.		
Portland, Maine		
TITLE: FRAMING DETAILS		
DATE: 04/05/17	DRAWN BY: BIM	DRAWING NUMBER:
SCALE: as noted	PROJ NO: 2017-033	S-5