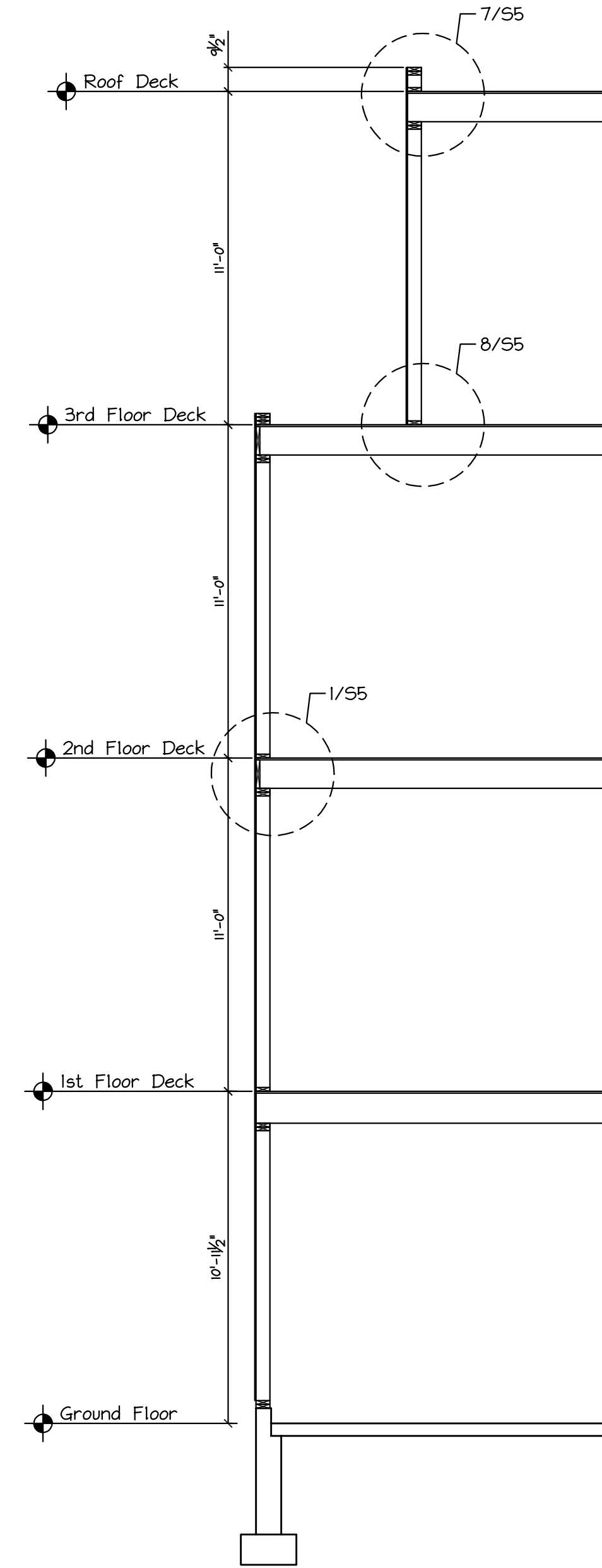
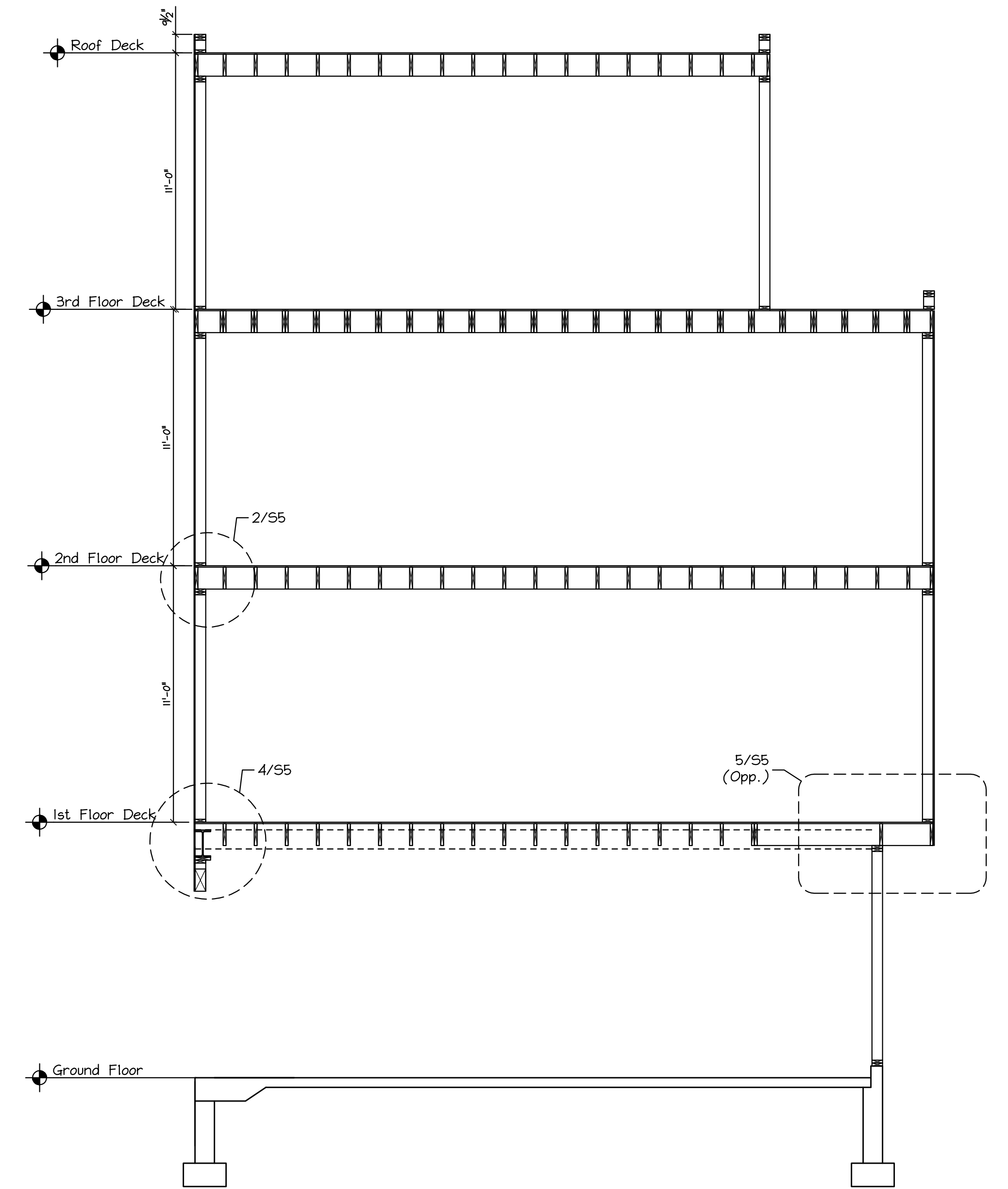


CROSS SECTION - A
Scale: 1/4" = 1'-0"



SECTION - B
Scale: 1/4" = 1'-0"



CROSS SECTION - C
Scale: 1/4" = 1'-0"

MacLeod Structural Engineers, PA		
80 Bridge Street, Suite 252 Westbrook, Maine 04092 207.839.0980		
5 Merrill St.		
Portland, Maine		
TITLE: BUILDING SECTIONS		
DATE: 04/05/17	DRAWN BY: BIM	DRAWING NUMBER:
SCALE: as noted	PROJ NO: 2017-033	S-4