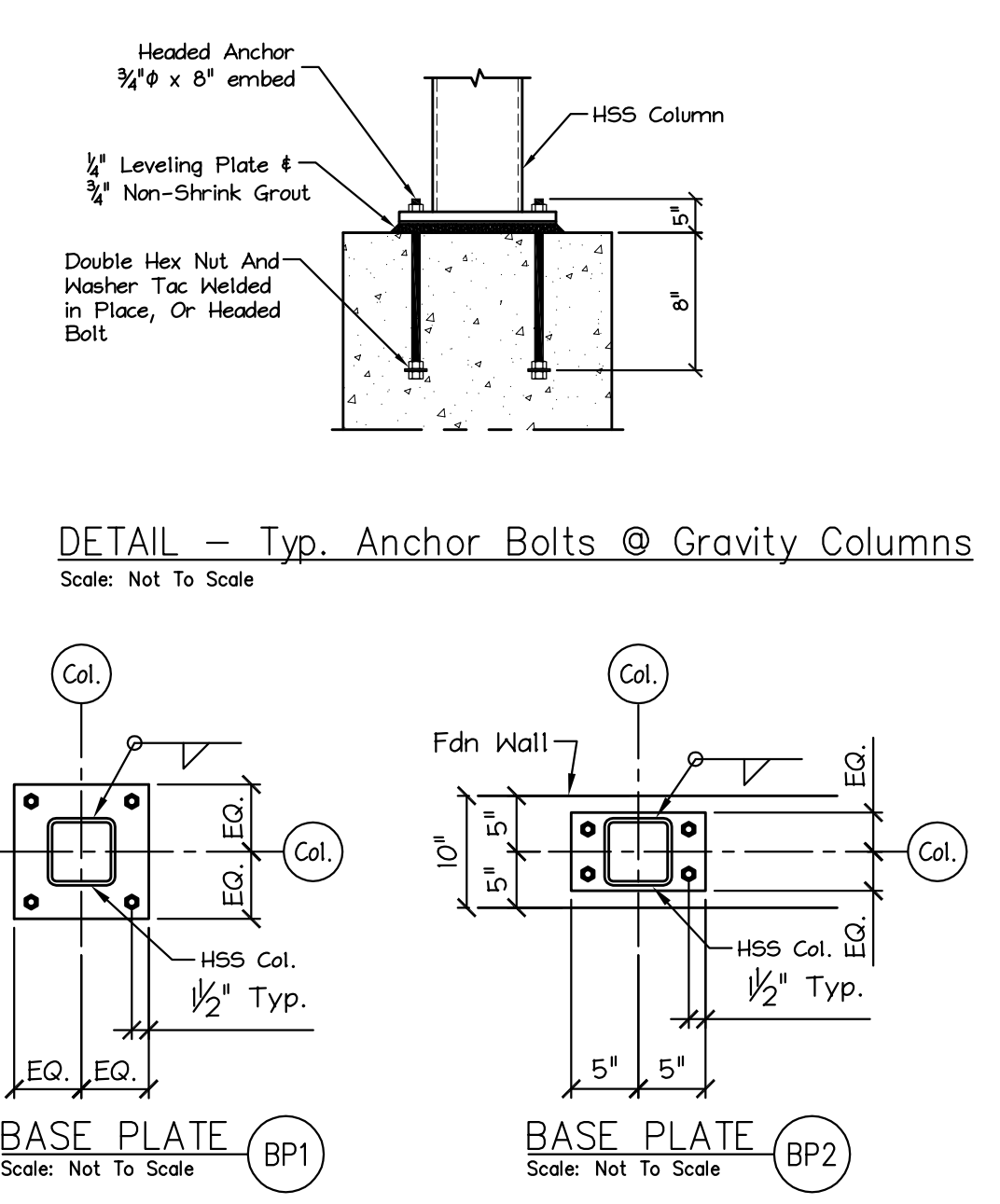
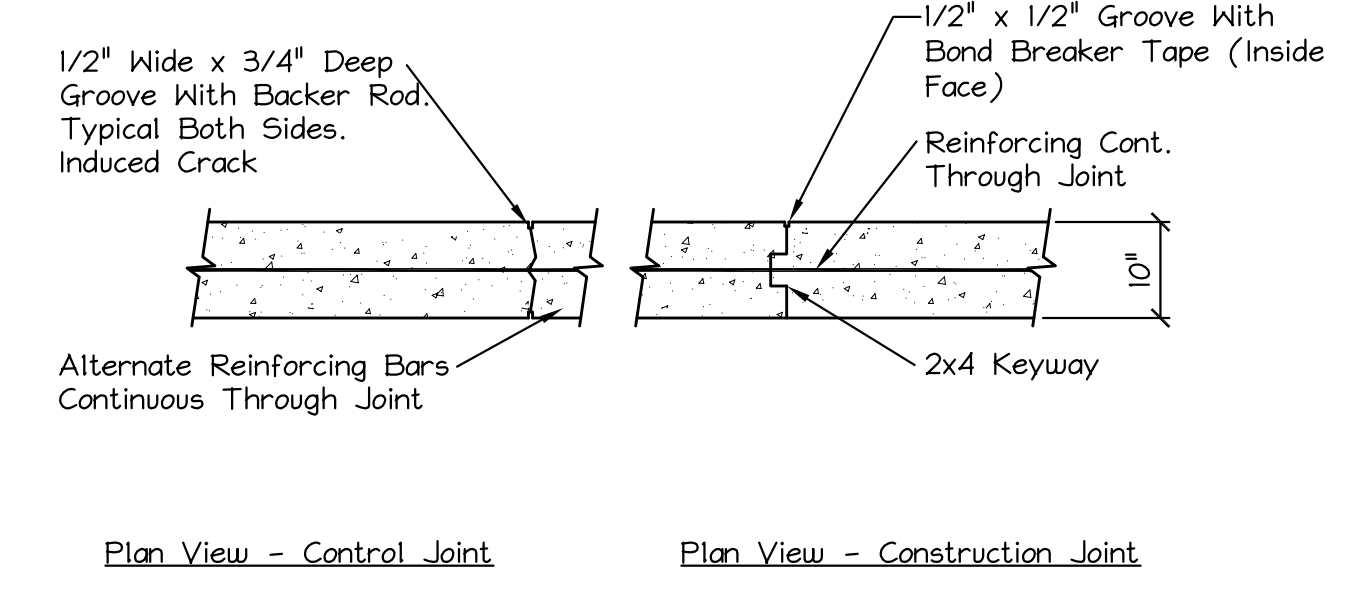


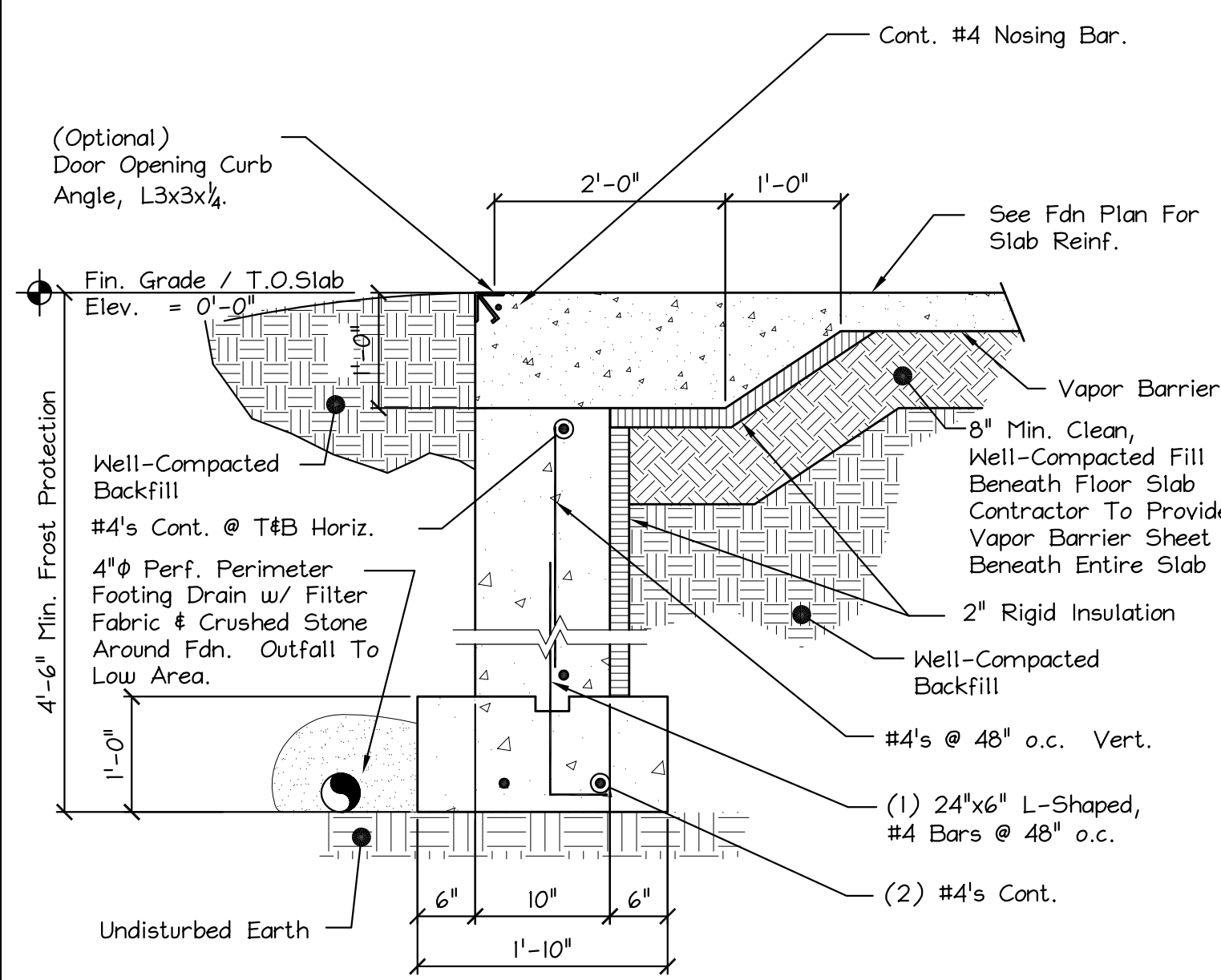
SECTION F1 TYPICAL 10" PERIMETER FOUNDATION WALL  
Scale: 3/4" = 1'-0"



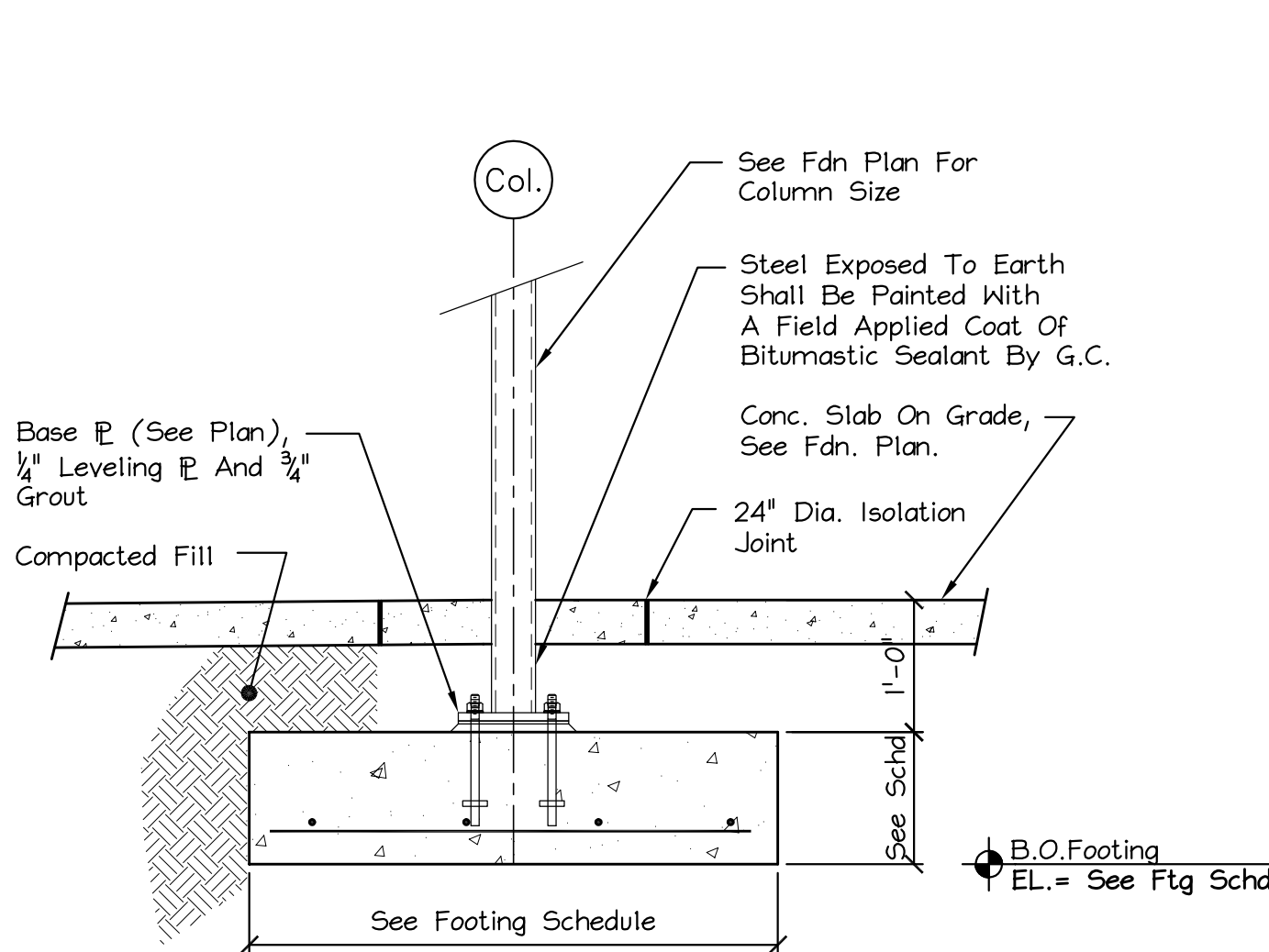
DETAIL -- Typ. Anchor Bolts @ Gravity Columns  
Scale: Not To Scale



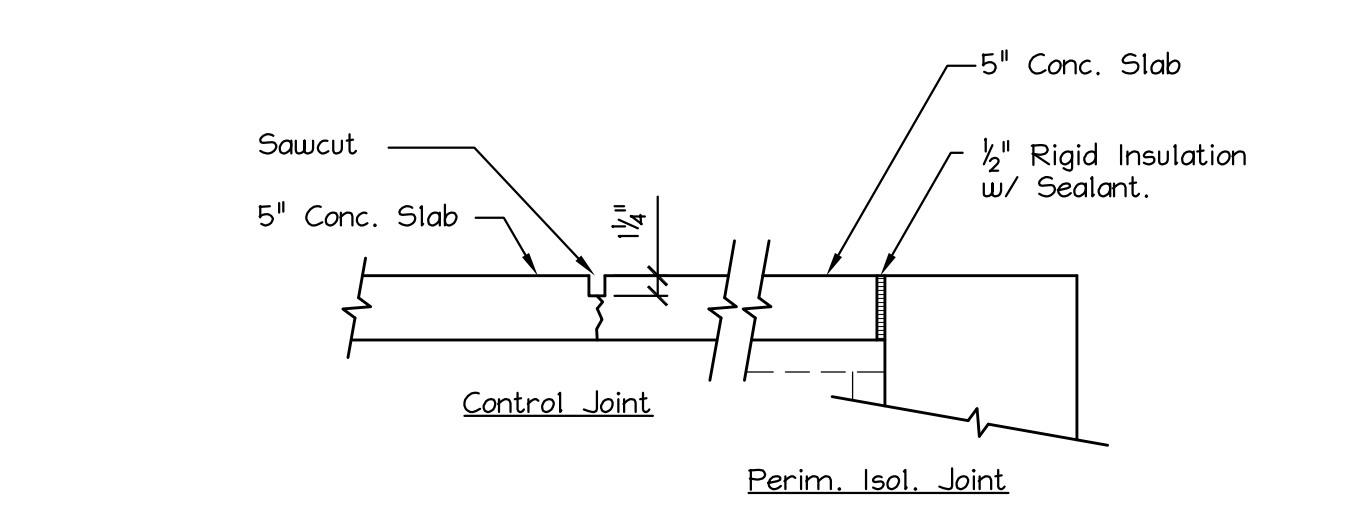
DETAIL -- Typical Foundation Wall Joints  
Scale: N.T.S.



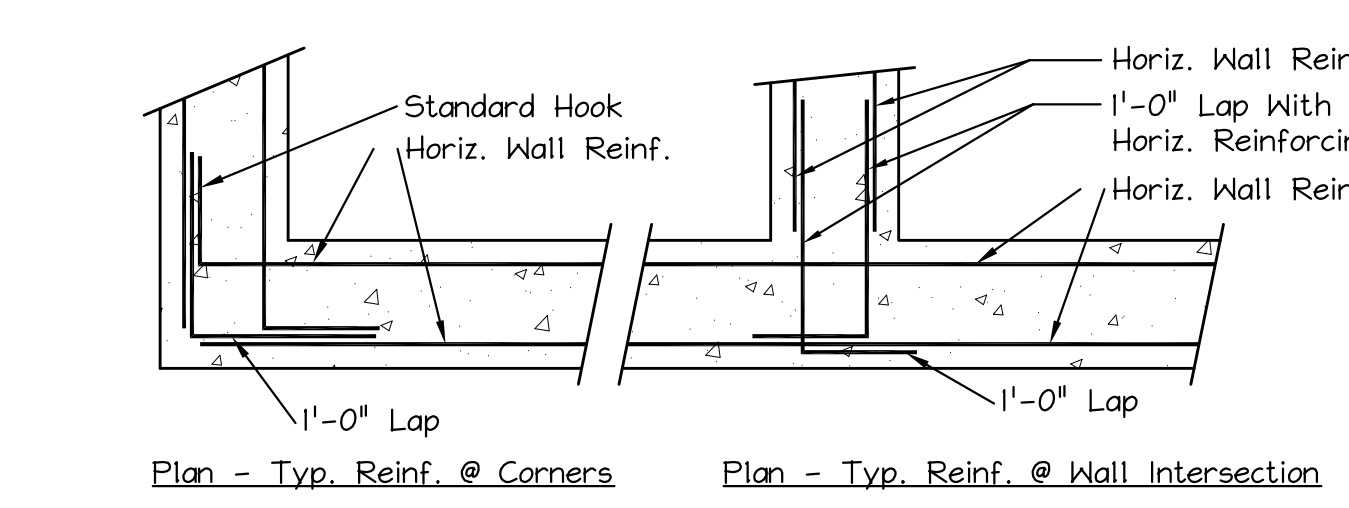
SECTION F2 TYPICAL FOUNDATION WALL @ GARAGE DOOR  
Scale: 3/4" = 1'-0"



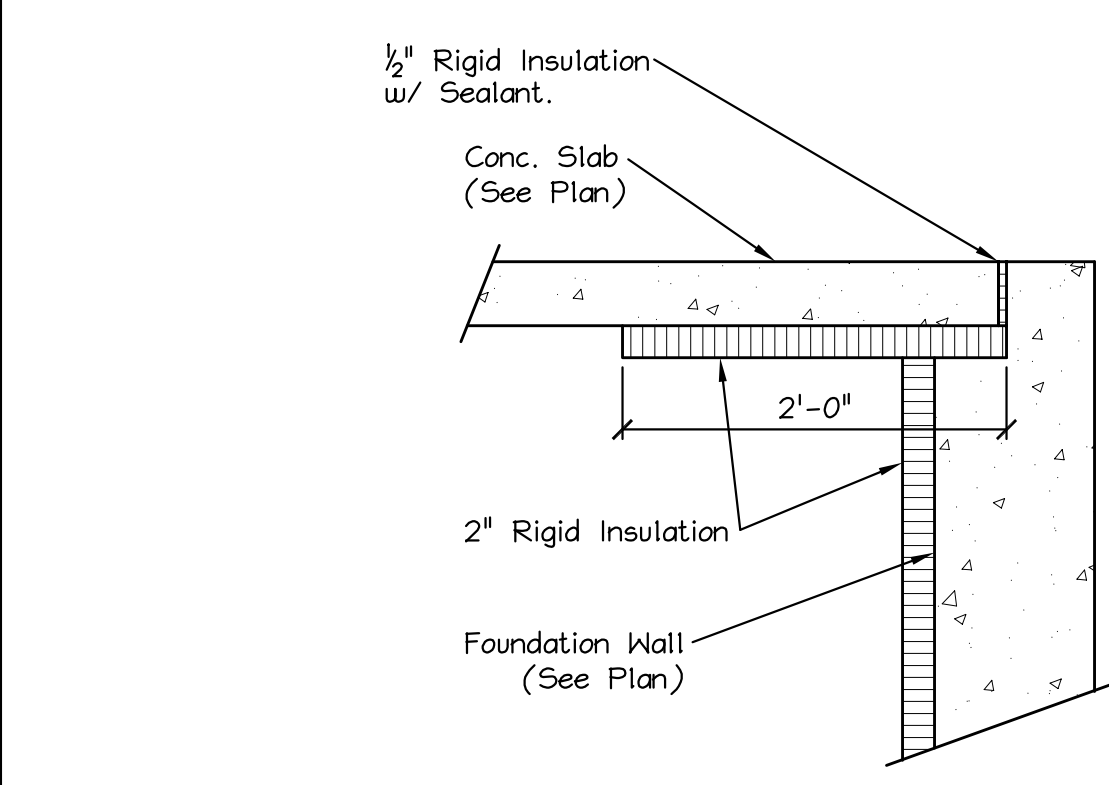
SECTION F3 SECTION @ INTERIOR FOOTING  
Scale: 3/4" = 1'-0"



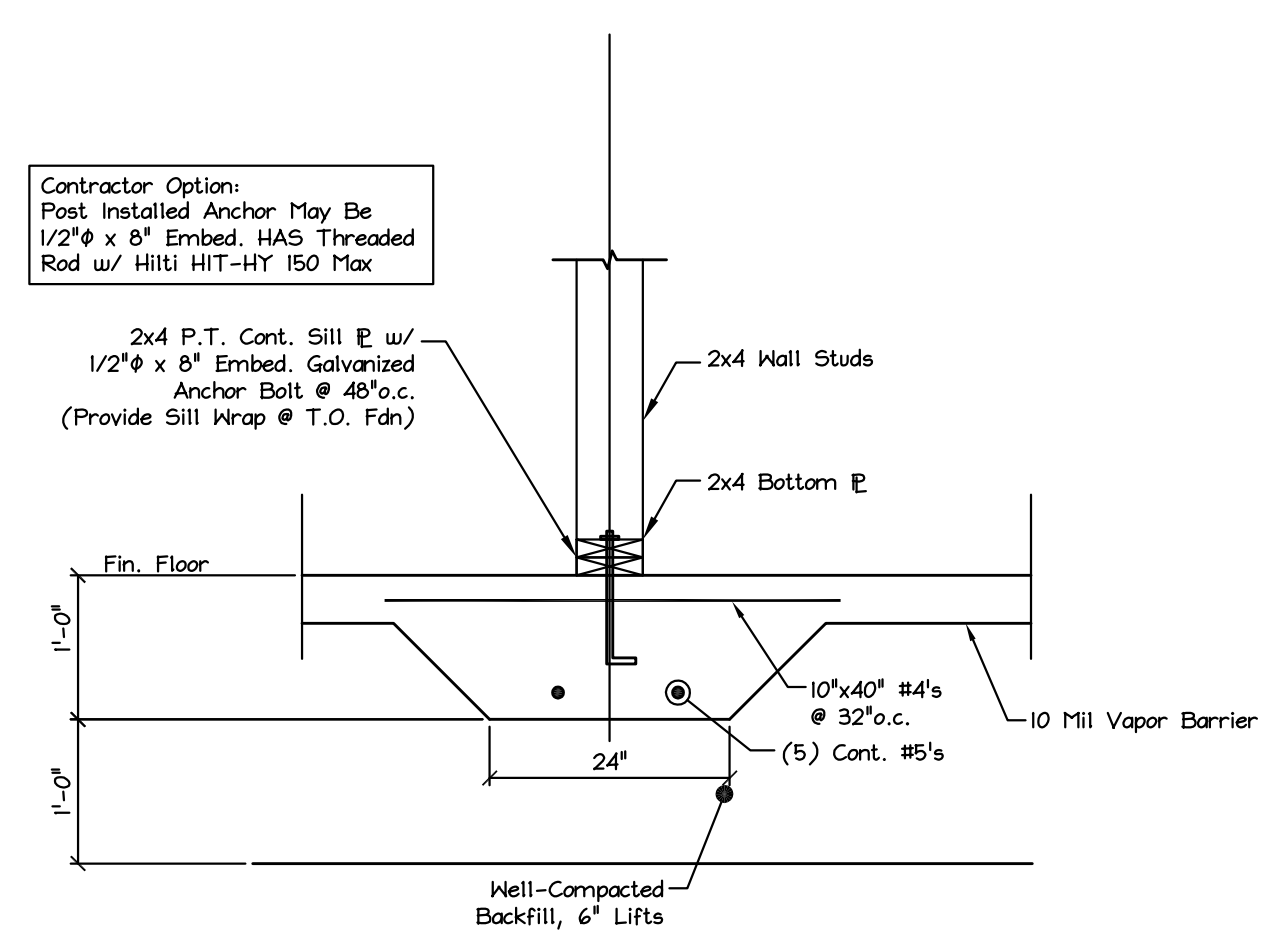
DETAIL -- Typical Floor Joints  
Scale: 1" = 1'-0"



DETAIL -- Typical Wall Reinforcing  
Scale: 1" = 1'-0"



SECTION F4 TYP. SECTION @ EXTERIOR SLAB ON GRADE MAN DOORS  
Scale: 1" = 1'-0"



SECTION F5 THICKENED SLAB @ BEARING WALL  
Scale: 3/4" = 1'-0"

|  |                   |                 |
|--|-------------------|-----------------|
| <b>MacLeod</b><br>Structural Engineers, PA                       |                   |                 |
| 80 Bridge Street, Suite 252, Westbrook, Maine 04092 207.839.0980 |                   |                 |
| 5 Merrill St.  |                   |                 |
| Portland, Maine  |                   |                 |
| TITLE: FOUNDATION DETAILS  |                   |                 |
| DATE: 04/05/17   | DRAWN BY: BIM     | DRAWING NUMBER: |
| SCALE: as noted  | PROJ NO: 2017-033 | S-2             |