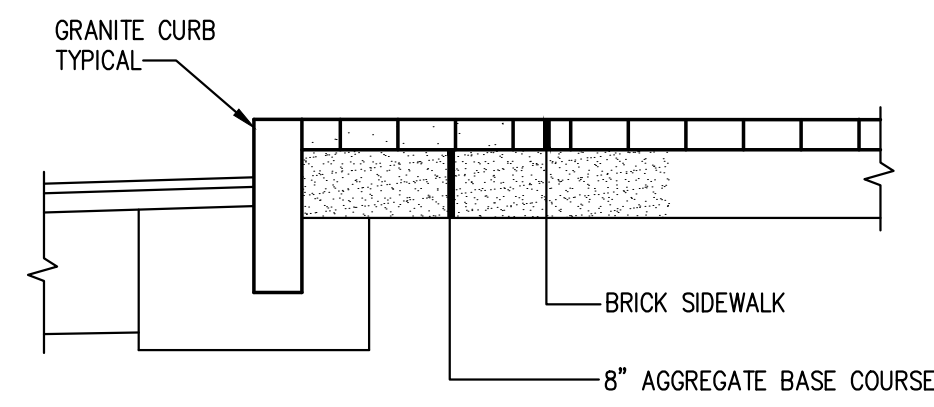


NOTE:
 1. COMPACT GRAVEL SUBBASE, BASE COURSE TO 95% OF MAXIMUM DENSITY USING HEAVY ROLLER COMPACTION.
 2. CONTRACTOR SHALL SET GRADE STAKES MARKING SUBBASE AND FINISH GRADE ELEVATIONS FOR CONSTRUCTION REFERENCE.

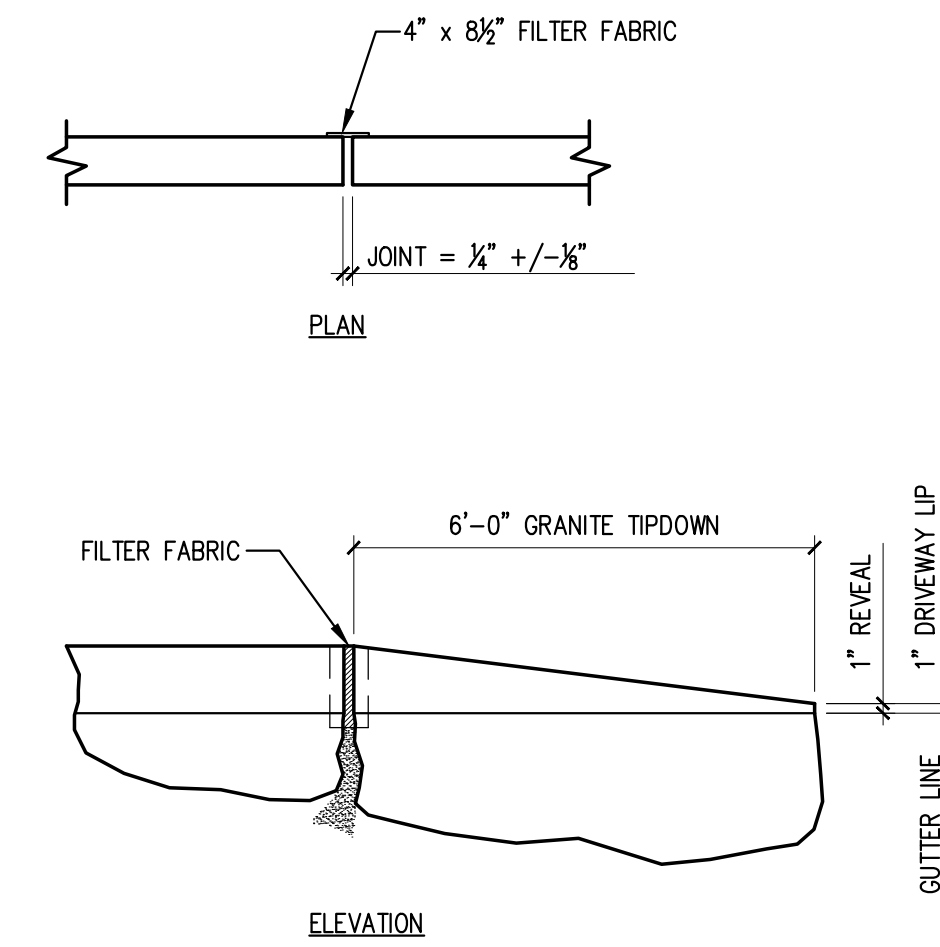
TYPICAL DRIVEWAY SECTION

NTS



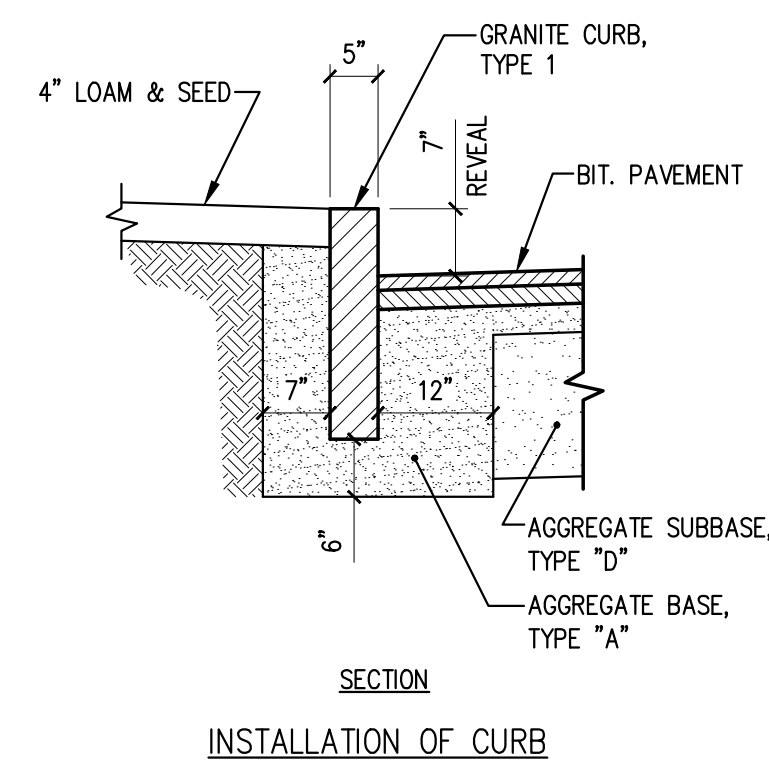
TYPICAL BRICK WALKWAY SECTION

NTS



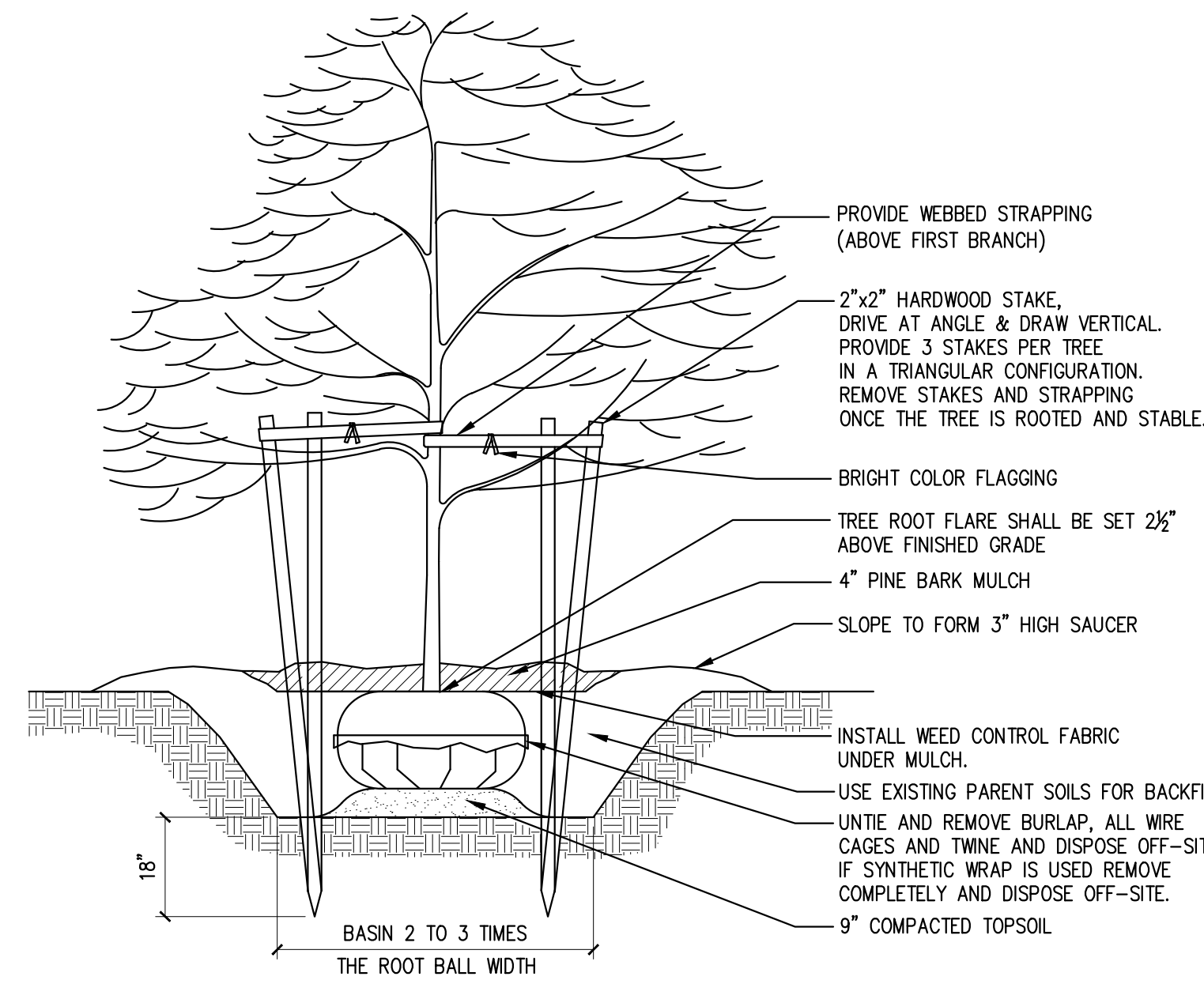
TYPICAL TIPDOWN CURB INSTALLATION

NTS



GRANITE CURB DETAIL

NTS

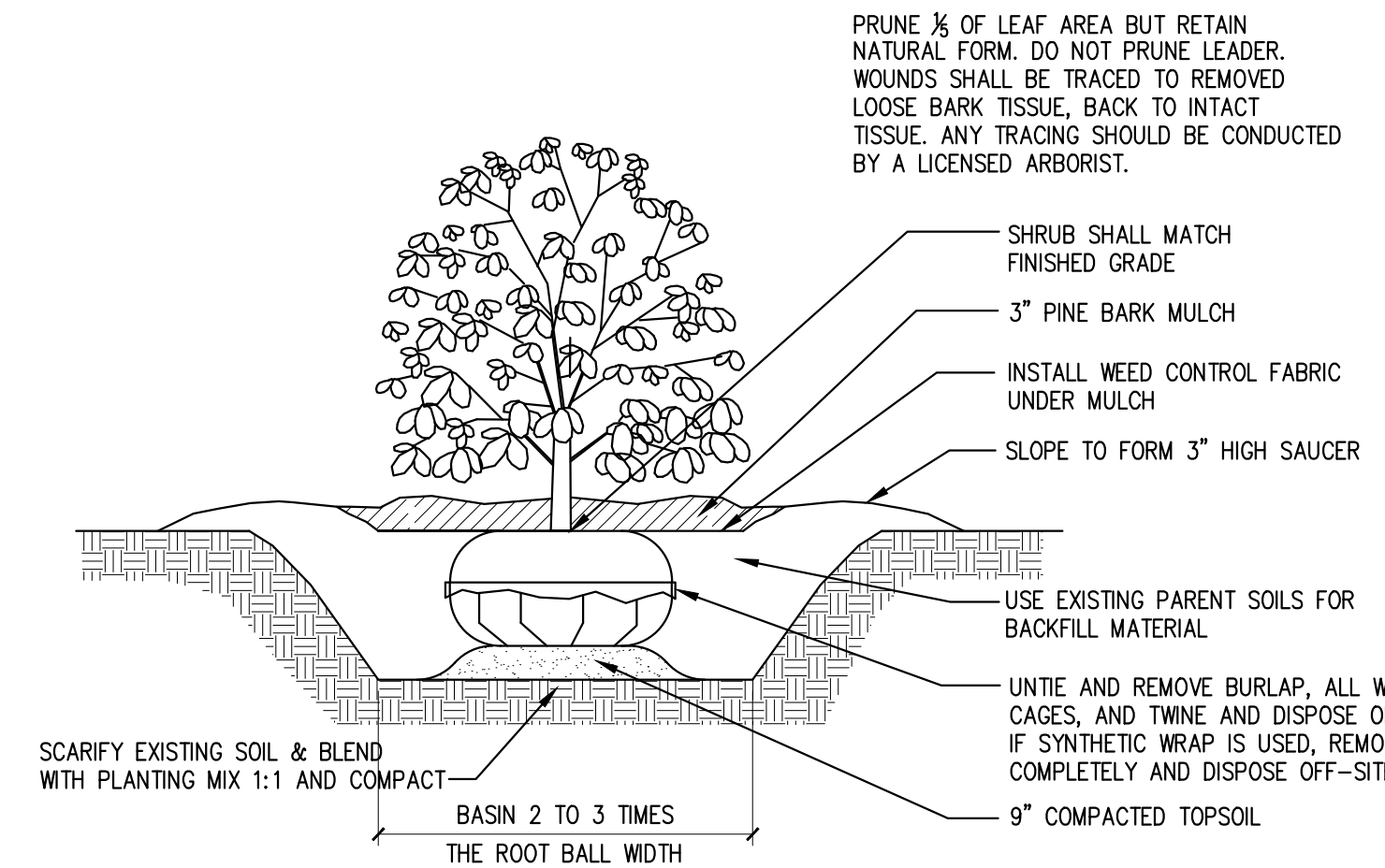


TYPICAL TREE PLANTING DETAIL
N.T.S.

TREE AND SHRUB PLANTING DETAILS

NTS

PLANTING NOTES:
 1. ALL PLANTINGS WILL BE WATERED TO ACHIEVE 20 GALLONS OF WATER DELIVERED OVER A 30 MINUTE TIME PERIOD PER TREE, WEEKLY THROUGH THE GROWING SEASON (APRIL THROUGH NOVEMBER) FOR THE FIRST 4 YEARS, INCLUDING THE YEAR OF INSTALLATION.
 2. ANY AND ALL PLANT MATERIAL DELIVERED TO THE SITE THAT IS DAMAGED OR WOUNDED SHALL BE REFUSED AND UN-DAMAGED MATERIAL SECURED.



TYPICAL SHRUB PLANTING DETAIL
N.T.S.

GRANITE CURB DETAIL

NTS

TREE AND SHRUB PLANTING DETAILS

NTS

No.	DESCRIPTION	DR.	CHK.	DATE	8-25-16	
					BY	ED
A	FOR REVIEW					

SHEET TITLE:

SITE DETAILS

DESIGNED: ED
 DRAWN: AR
 DATE: 8-8-16
 PROJECT NUMBER: 16-127

C200

NTS