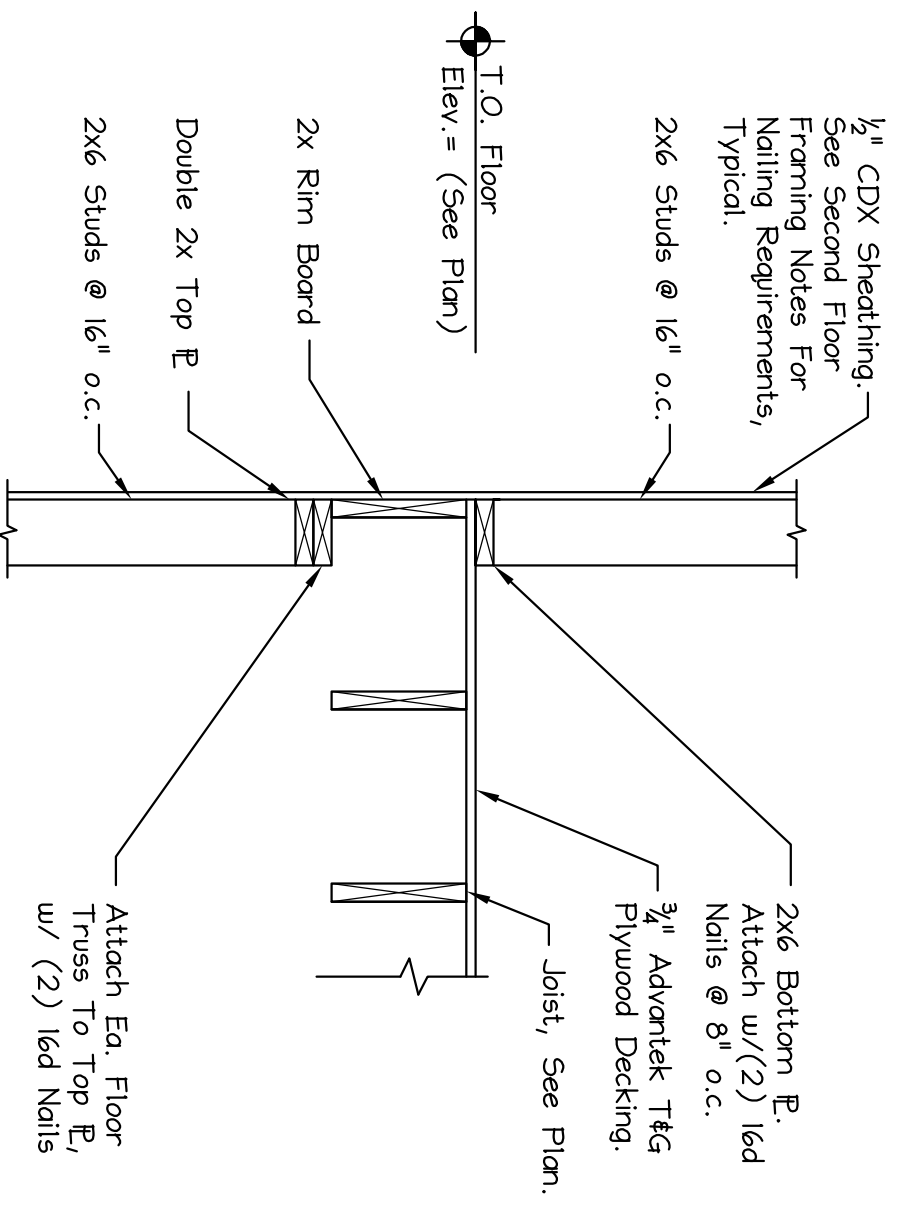
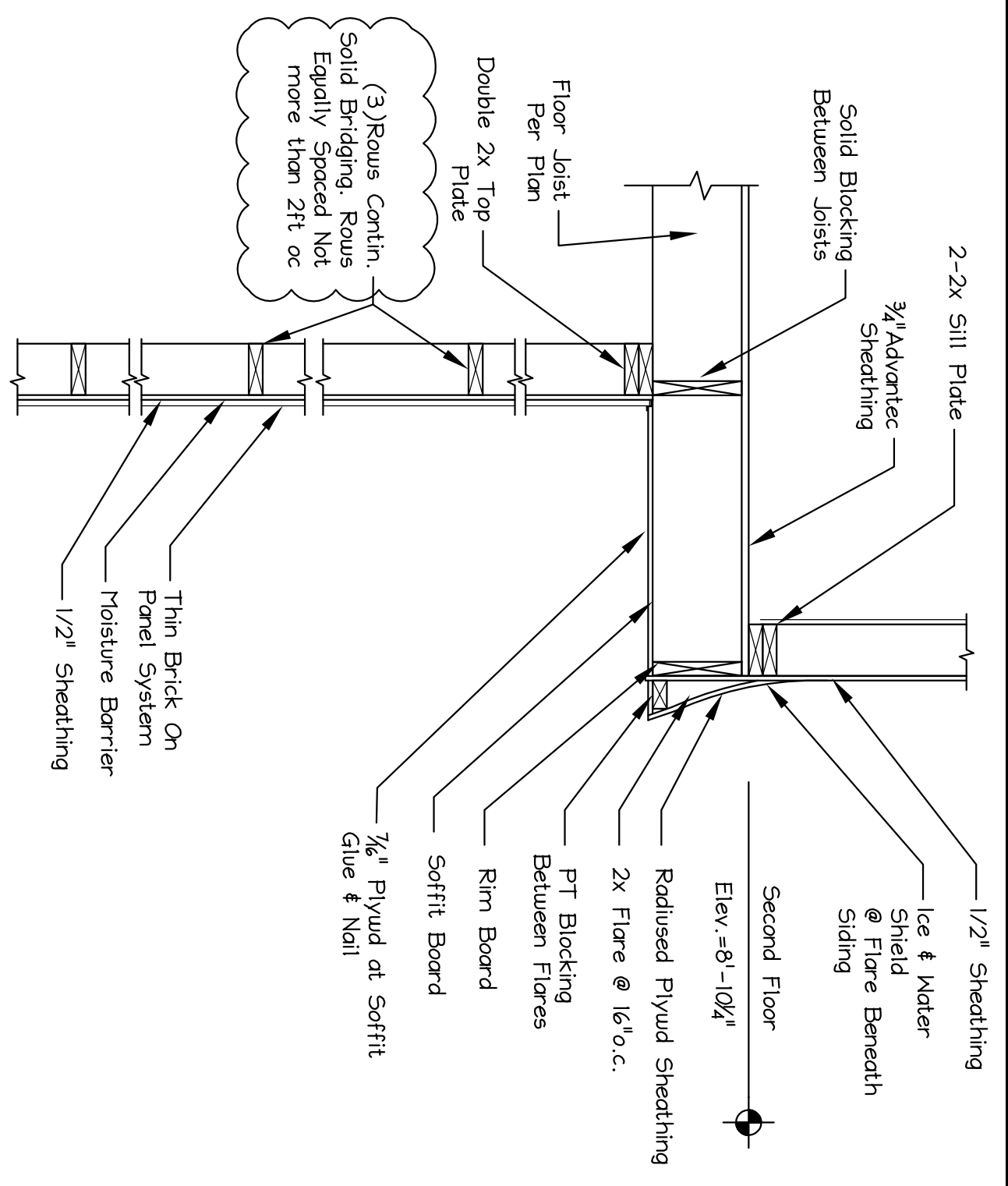


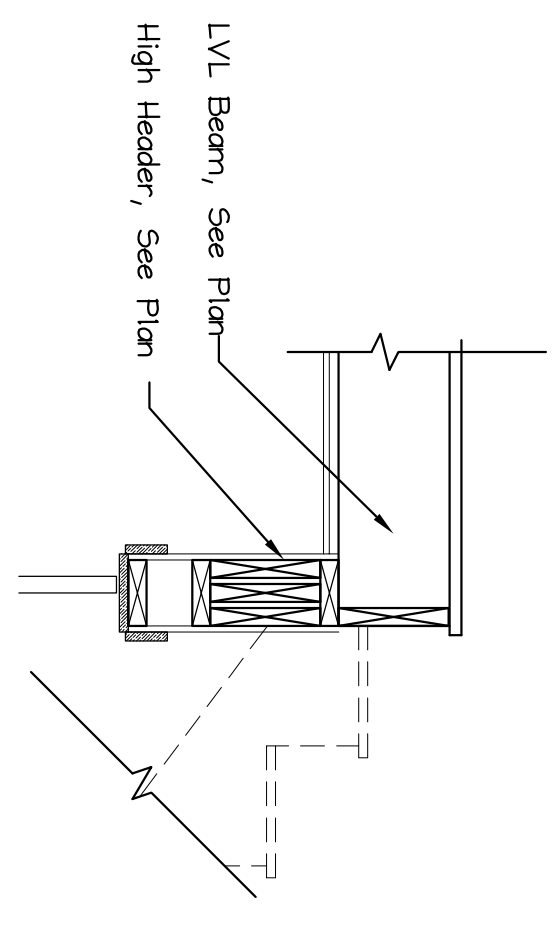
SECTION 1
Scale: 3/4" = 1'-0"



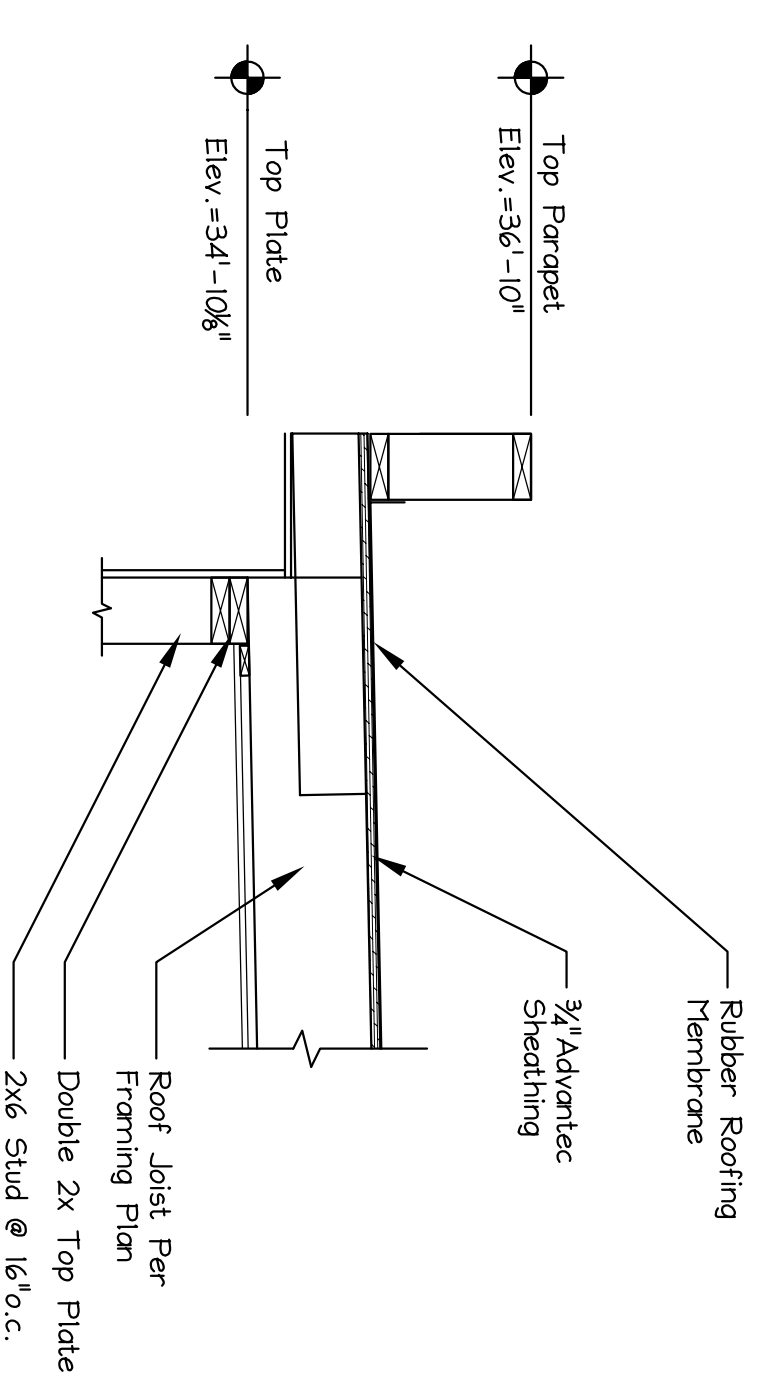
SECTION 2
Scale: 3/4" = 1'-0"



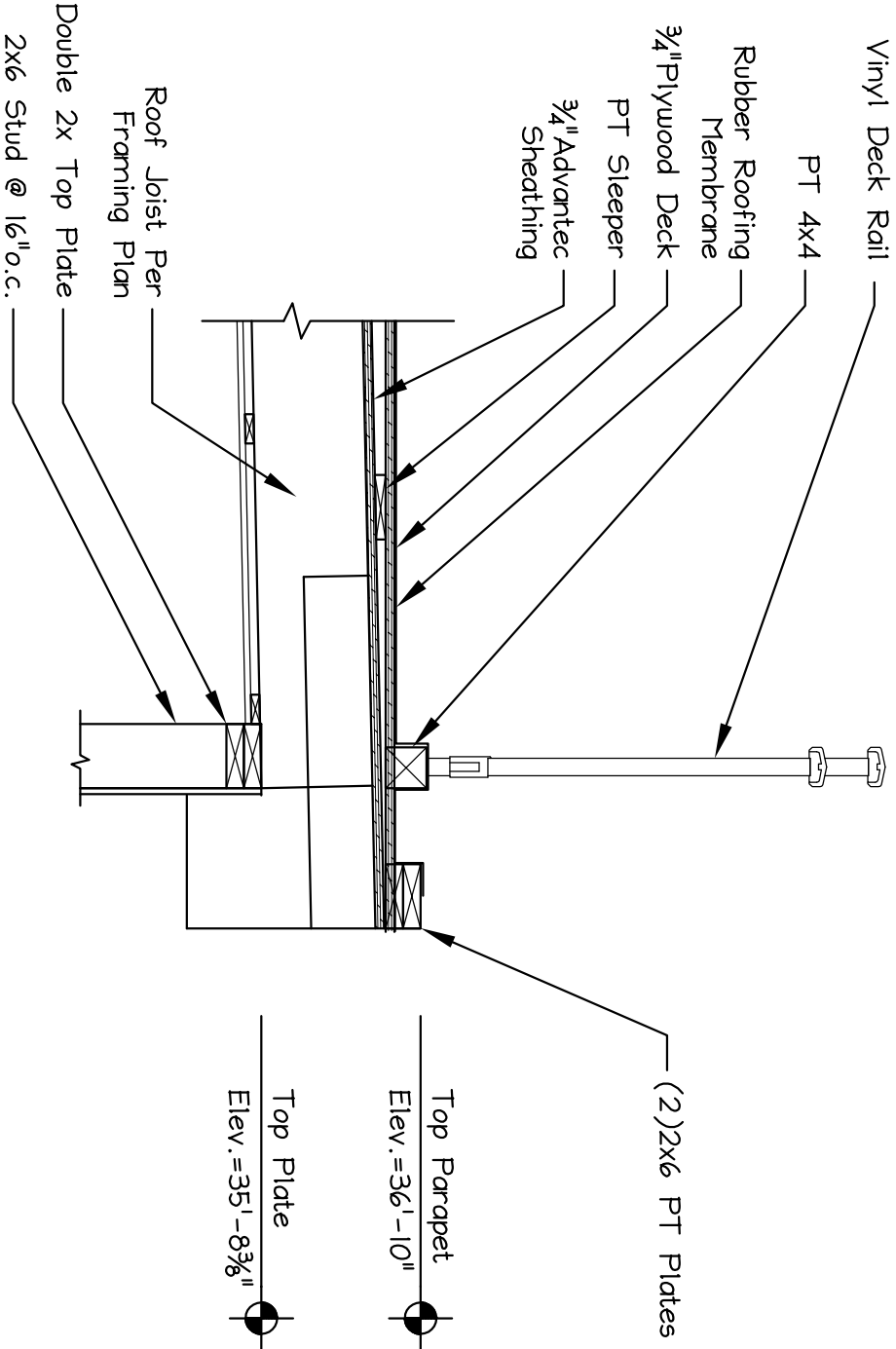
SECTION 3
Scale: 3/4" = 1'-0"



SECTION 4
Scale: 3/4" = 1'-0"



SECTION 5
Scale: 3/4" = 1'-0"



SECTION 6
Scale: 3/4" = 1'-0"

FOR CONSTRUCTION
ISSUED
6/08/16

Macleod
Structural Engineers, PA

90 Bridge Street, Suite 202, Westbrook, Maine 04092 207.239.0980
5 Merrill Street, Portland, Maine

DATE: 5/12/16 DRAWN BY: BHM DEWING NUMBER: S-3.0
SCALE: as noted PROJ. NO: 2016-014

