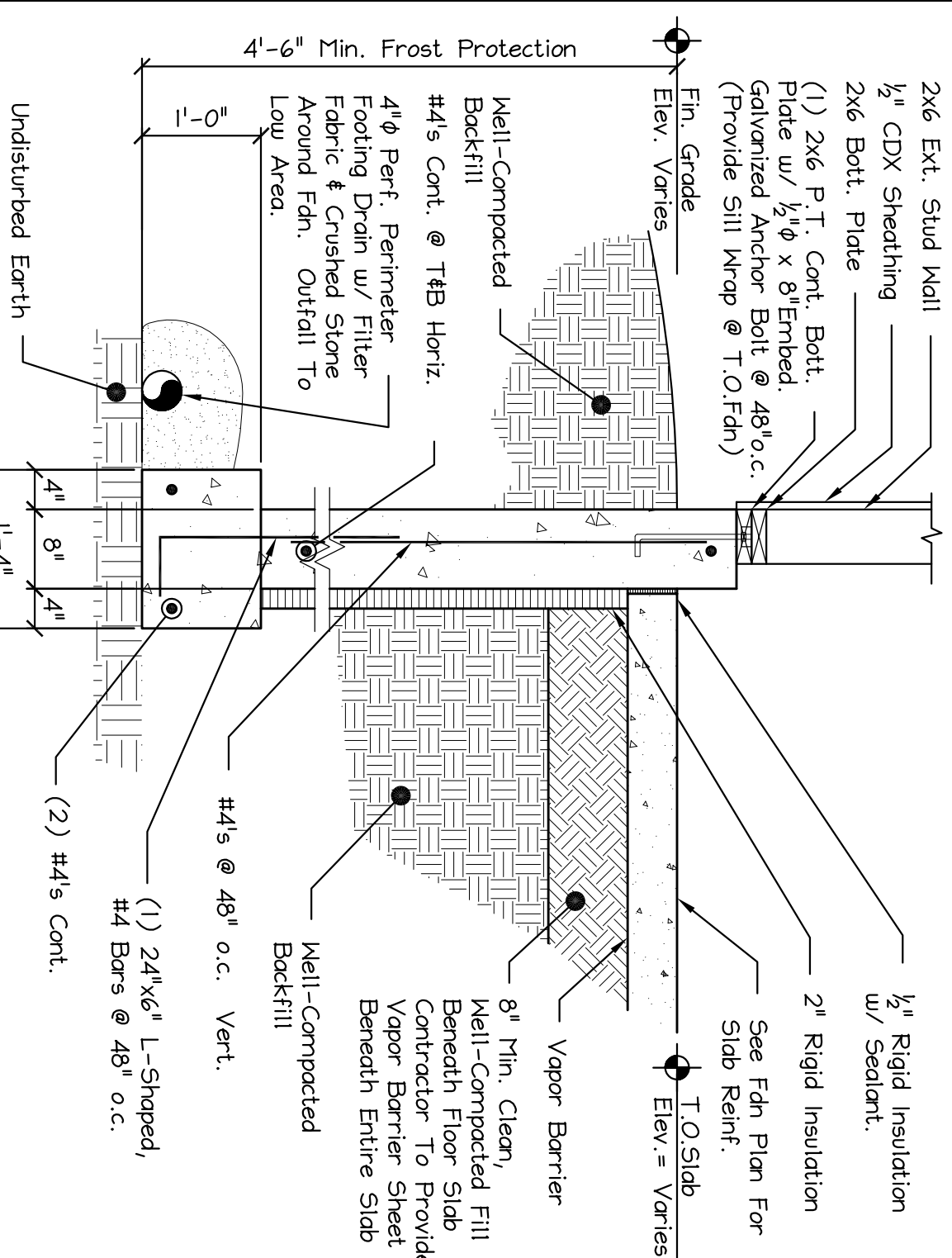
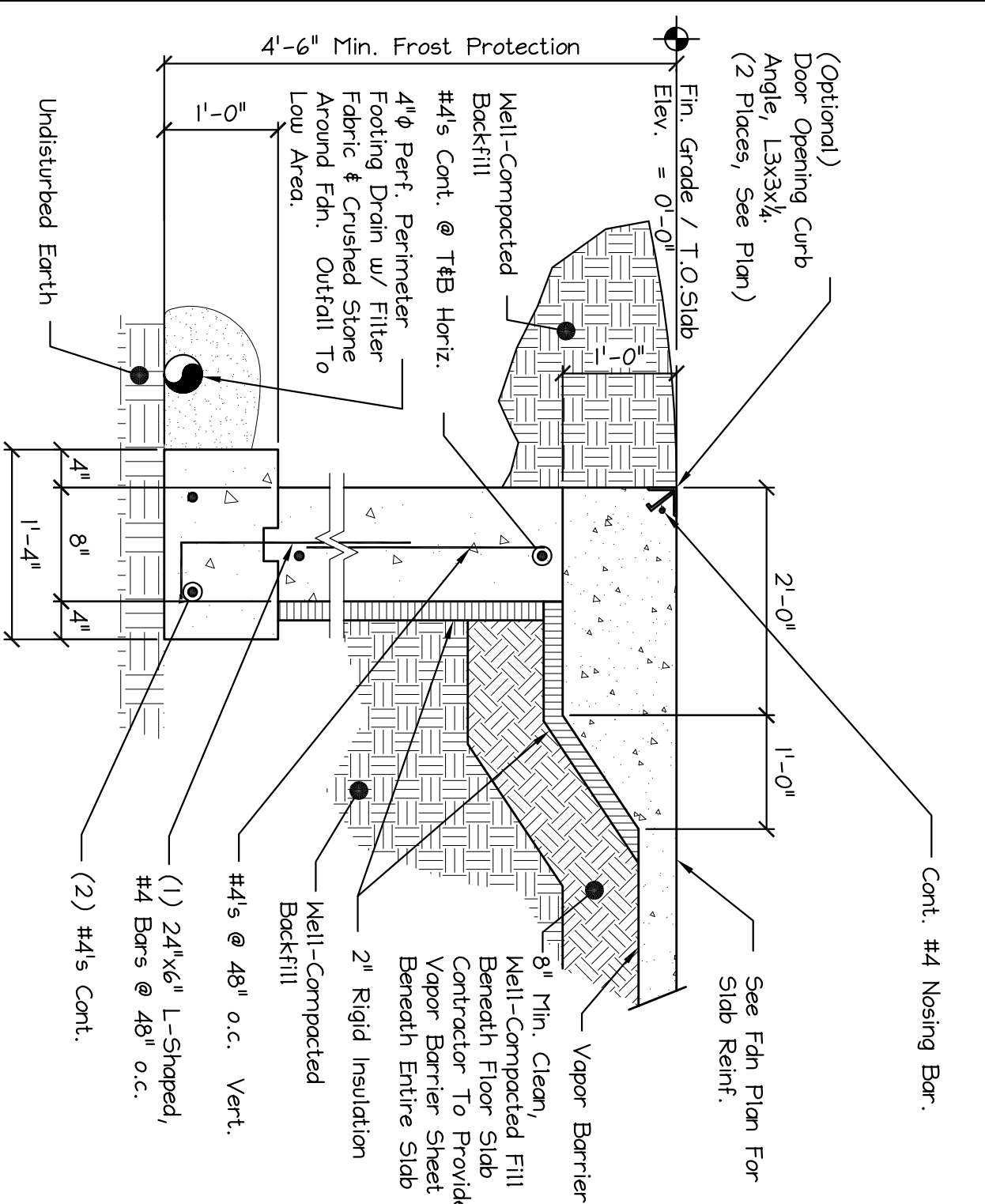


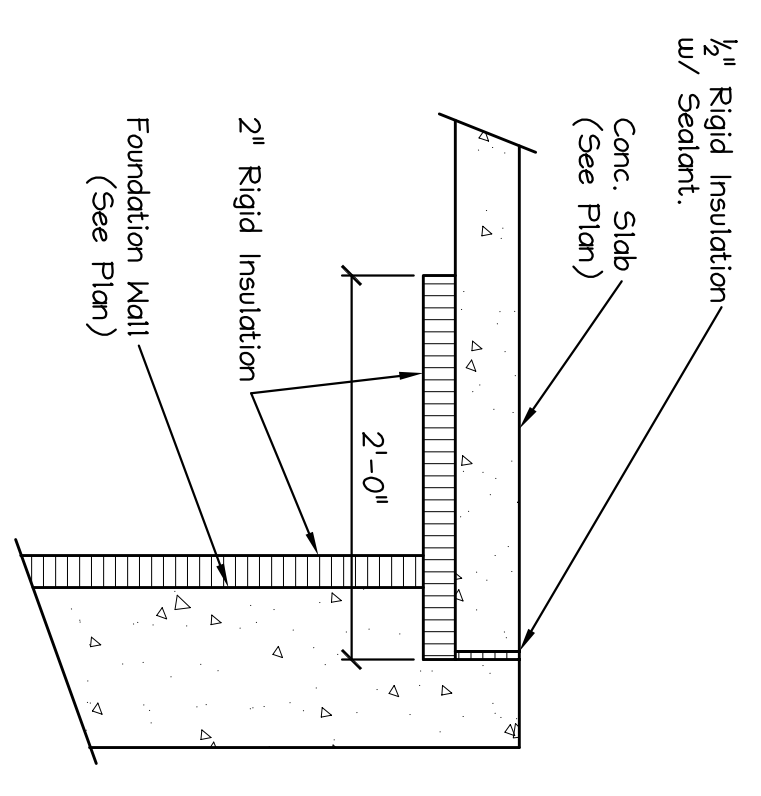
NOTE: Attach All Non-Pressure Treated Lumber With **HEAVY GALVANIZED FASTENERS ONLY**, Typical. No Exceptions.



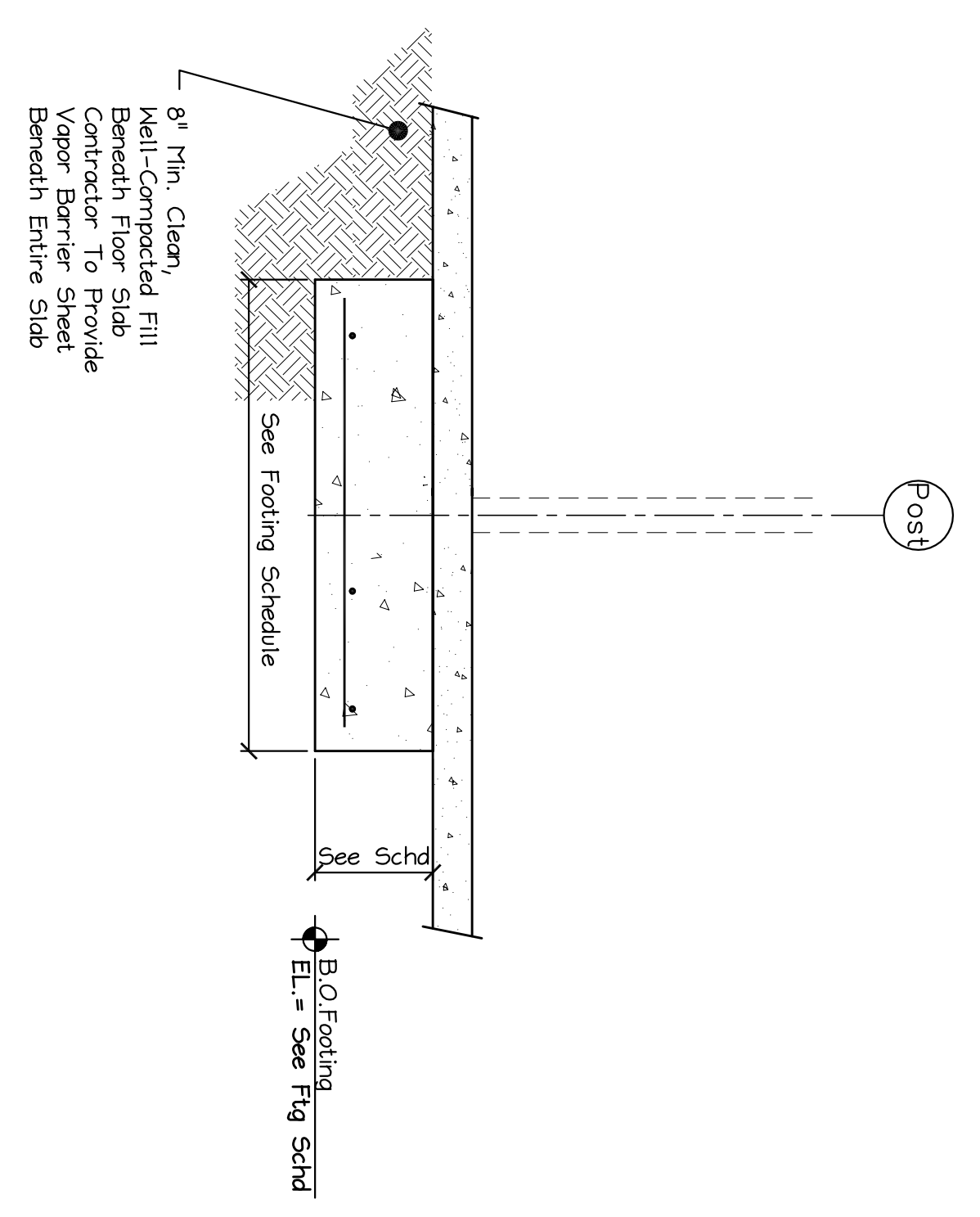
SECTION F1 TYPICAL 8" PERIMETER FOUNDATION WALL
Scale: 3/4" = 1'-0"



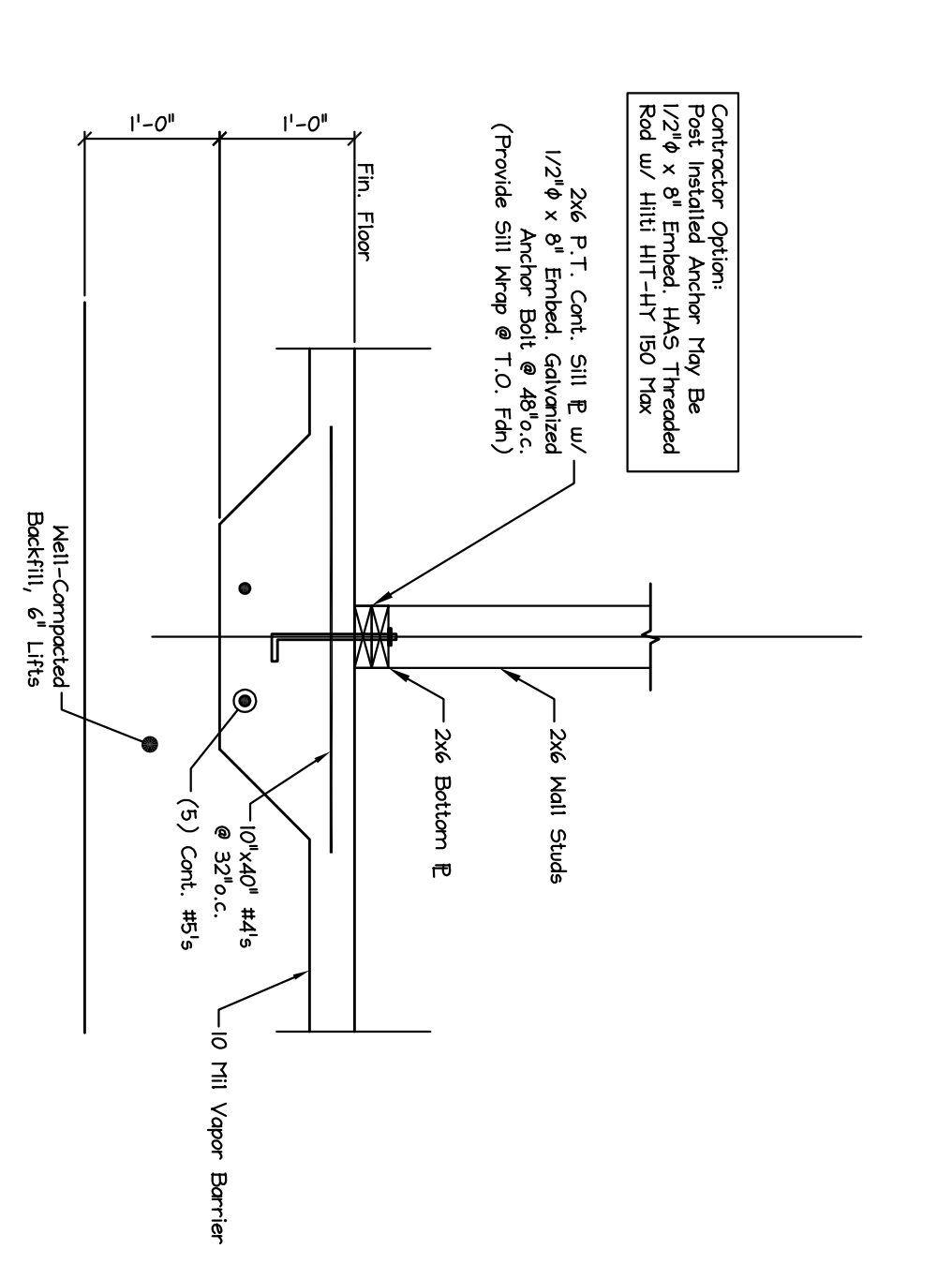
SECTION F3 TYPICAL 8" FOUNDATION WALL (GARAGE DOORS)
Scale: 3/4" = 1'-0"



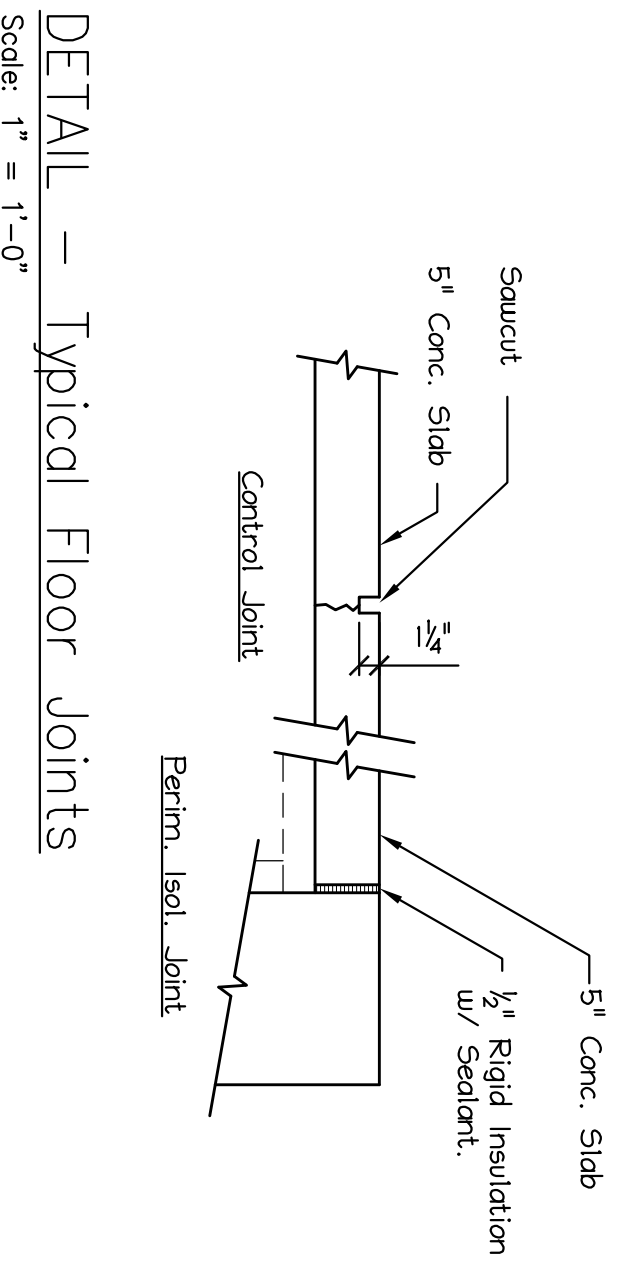
SECTION F5 Typ. Section @ Exterior Slab On Grade Man Doors
Scale: 1" = 1'-0"



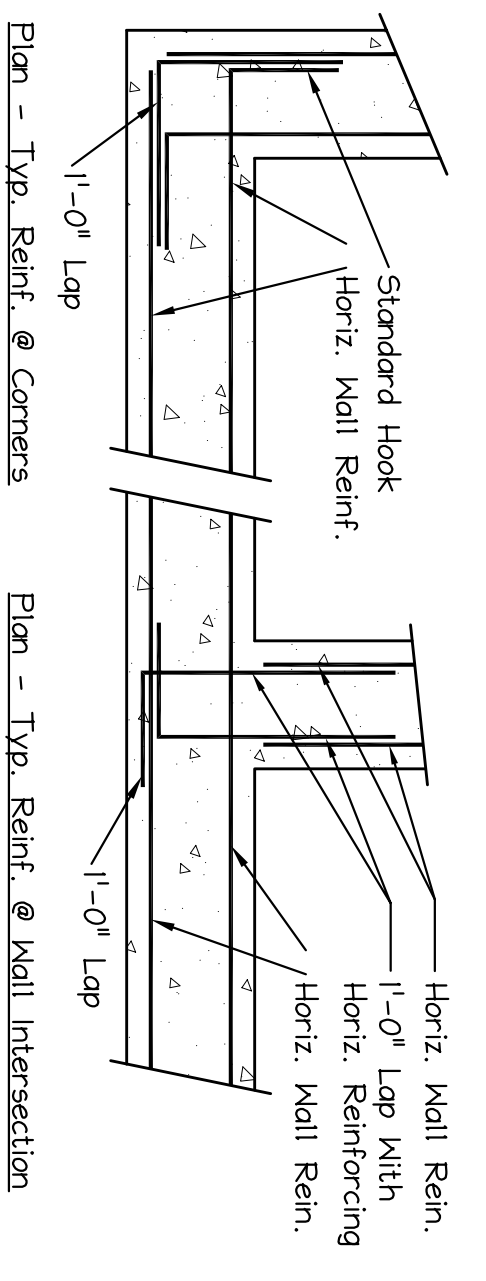
SECTION F2 SECTION @ INTERIOR FOOTING
Scale: 3/4" = 1'-0"



SECTION F4 SECTION @ INTERIOR FOOTING
Scale: 3/4" = 1'-0"



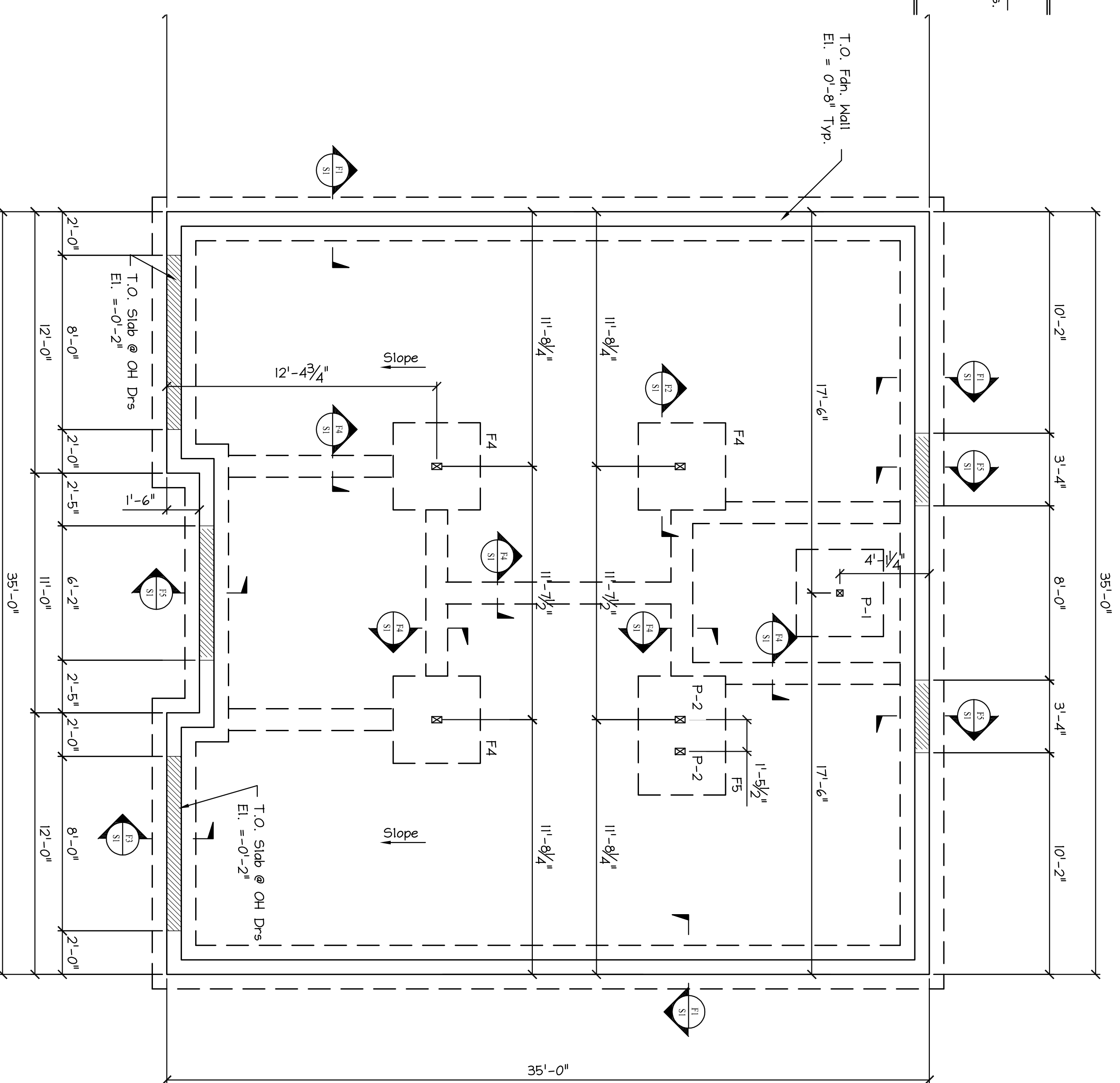
DETAIL - Typical Floor Joints
Scale: 1" = 1'-0"



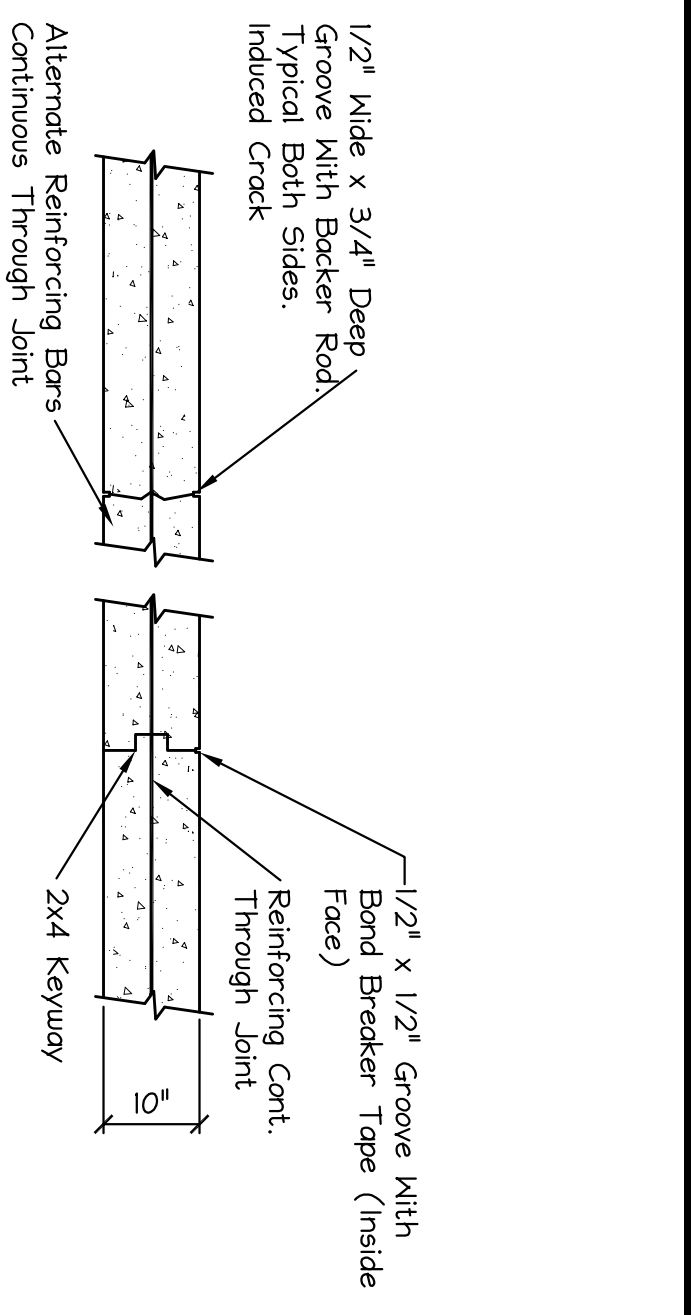
DETAIL - Typical Wall Reinforcing
Scale: 1" = 1'-0"

Foundation Notes:

- Foundation Elevations:
 - Top Of Slab... El. = 0'-0", U.N.O.
 - Top Of Fdn. Wall... El. = 0'-8", U.N.O.
- Verify With Archt Dugs.
- Indicates Location Of Special Condition
- See Typ. Sect. A.4.5 For Details
- Refer To Arch. Plans For Final Location
- OFC Indicates Outside Face Of Concrete
- F-# Indicates Footing Type. See Footing Schedule For Size & Reinforcing.
- BP-# Indicates Base Plate Type. See Details on S-2 For Size



FOUNDATION PLAN
Scale: 1/4" = 1'-0"



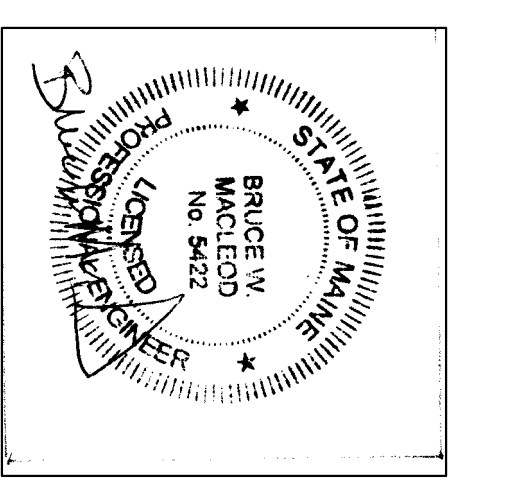
DETAIL - Typical Foundation Wall Joints
Scale: N.T.S.

FOOTING SCHEDULE

MARK	FOOTING SIZE	FOOTING REINFORCING	PIER SIZE	PIER REINF.	PIER TIES	DOWN'S BATT	FOOTING EL.
F-1	-	-	(4) #6 Vert	#4 @ 12" o.c.	(4) #6	Match Wall Footing	-
F-2	-	-	(4) #6 Vert	#4 @ 12" o.c.	(4) #6	Match Wall Footing	-
F-3	-	-	(4) #6 Vert	#4 @ 12" o.c.	(4) #6	Match Wall Footing	-
F-4	4'x4'x1'	-	4- #5s Ea. May Bolt	-	-	-	-
F-5	4'x4'x1'	-	5- #5s Ea. May Bolt	-	-	-	-

NOTE: - Bottom Of Footing Elevation To Be Field Verified Per Site Elevations. Coordinate Site Elevations With Bottom Of Footing Elevations. Maintain Min. Frost Protection Per Sections On Sheet S2.

FOR CONSTRUCTION
ISSUED
6/08/16



Macleod
Structural Engineers, Inc.
90 Ridge Street, Suite 252, Westbrook, Maine 04093
207.239.0980

5 Merrill Street
Portland, Maine

DATE: 5/12/16
DRAWN BY: BMM
SCALE: as noted
PROJECT NO: 2016-014
DRAWING NUMBER: S-1.0