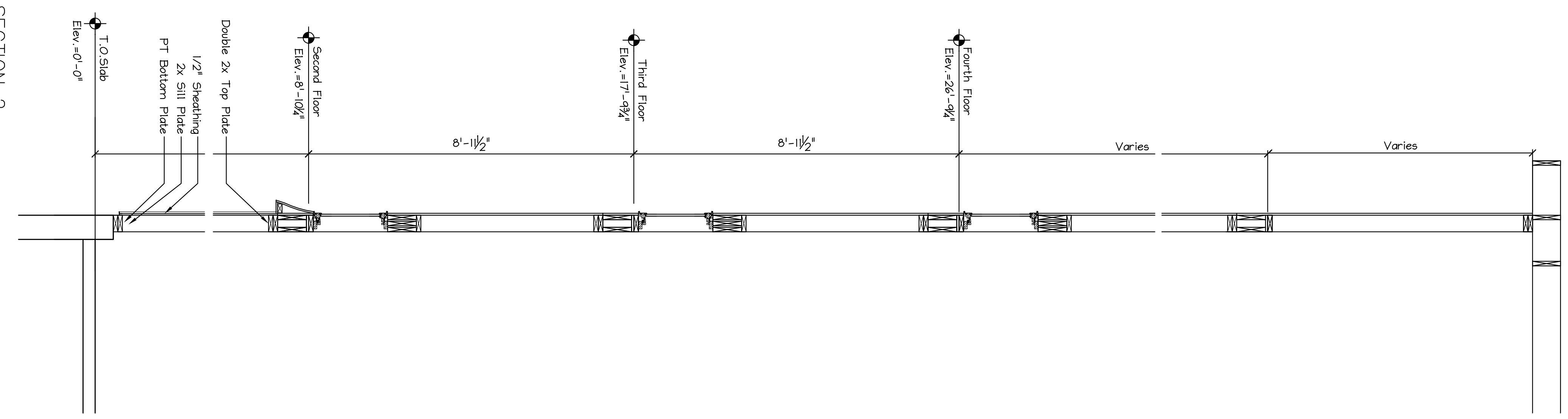
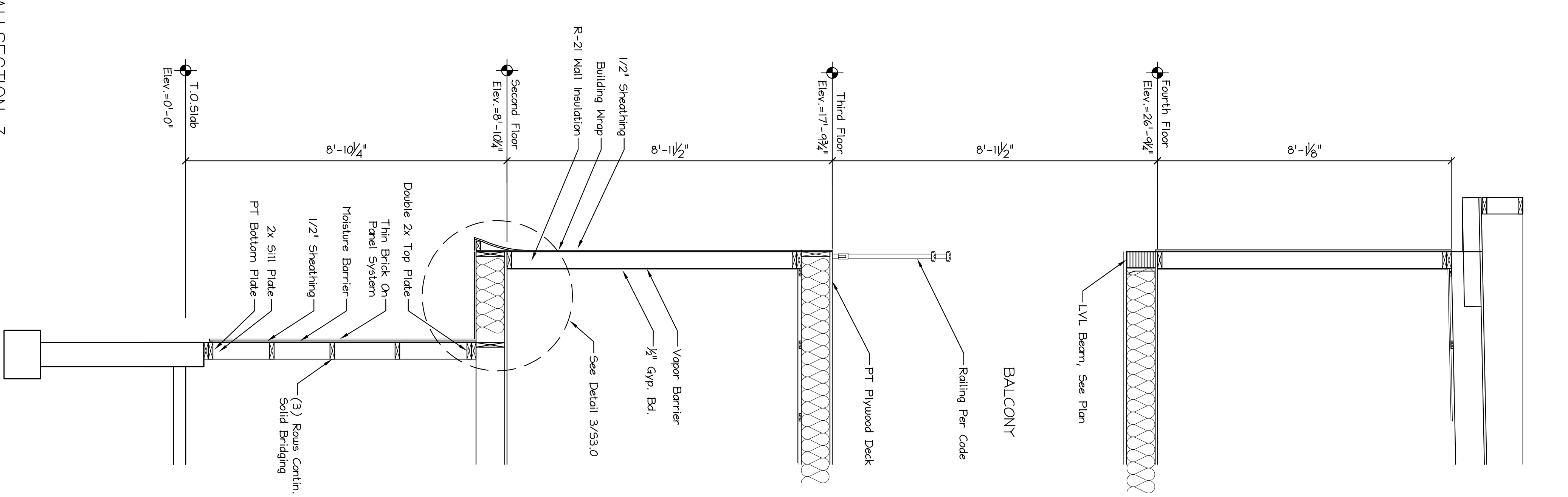


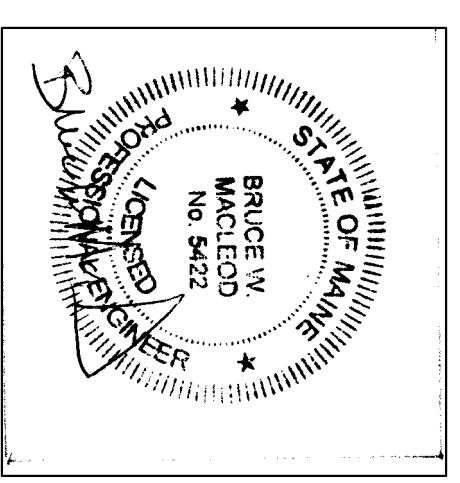
WALL SECTION 1
Scale: 1/2" = 1'-0"



WALL SECTION 2
Scale: 1/2" = 1'-0"



WALL SECTION 3
Scale: 1/2" = 1'-0"



FOR CONSTRUCTION
ISSUED
6/08/16

Macleod
Structural Engineers, Inc.
90 Bridge Street, Suite 202, Westbrook, Maine 04092
207.239.0980

5 Merrill Street
Portland, Maine

TITLE:	WALL SECTIONS
DATE:	5/12/16
SCALE:	as noted
DRAWN BY:	BHW
PROJ. NO.:	2016-014
DRAWING NUMBER:	A-3.1