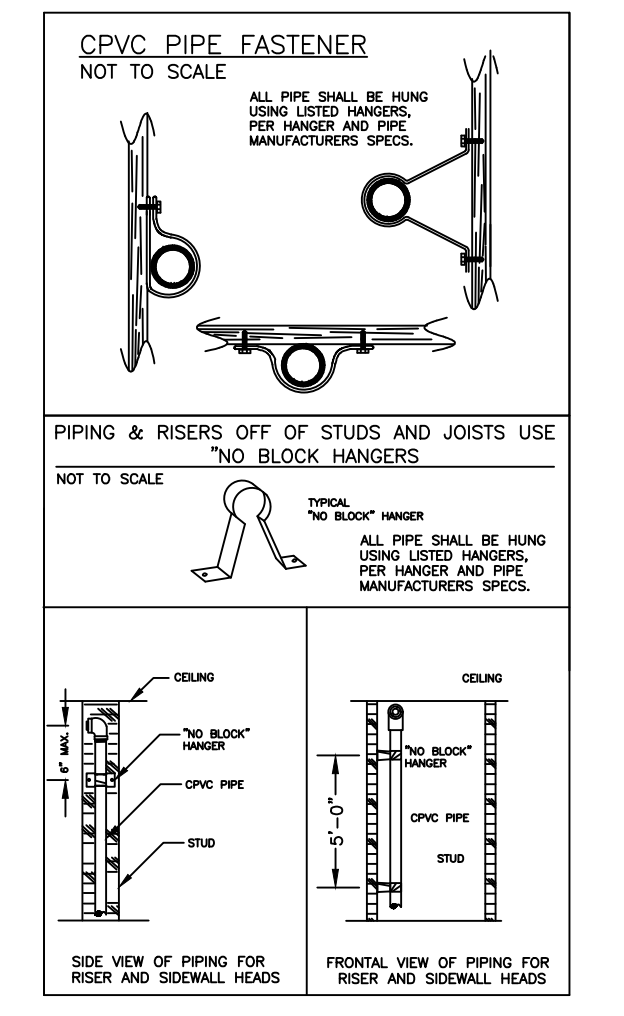


CONTINUOUS OBSTRUCTION GUIDE
RESIDENTIAL PENDENTS AS PER TABLE 8.8.5.1.2

DISTANCE FROM SPRINKLERS FROM SIDE OF OBSTRUCTION (A)	MAXIMUM ALLOWABLE DISTANCE OF DEFLECTOR ABOVE BOTTOM OF OBSTRUCTION (IN.) (B)
LESS THAN 1 FT.	0
1 FT. TO LESS THAN 1 FT. 6 IN.	0
1 FT. 6 IN. TO LESS THAN 2 FT.	1
2 FT. TO LESS THAN 2 FT. 6 IN.	1
2 FT. 6 IN. TO LESS THAN 3 FT.	1
3 FT. TO LESS THAN 3 FT. 6 IN.	3
3 FT. 6 IN. TO LESS THAN 4 FT.	3
4 FT. TO LESS THAN 4 FT. 6 IN.	5
4 FT. 6 IN. TO LESS THAN 5 FT.	7
5 FT. TO LESS THAN 5 FT. 6 IN.	7
5 FT. 6 IN. TO LESS THAN 6 FT.	7
6 FT. TO LESS THAN 6 FT. 6 IN.	9
6 FT. 6 IN. TO LESS THAN 7 FT.	11
7 FT. AND GREATER	14



- KEYED NOTES**
- SPRINKLERS ARE NOT REQUIRED IN BATHROOMS UNDER 55 FT² PER NFPA 13R:6.6.2
 - SPRINKLERS ARE NOT REQUIRED IN CLOTHES CLOSETS AND PANTRIES UNDER 24 SQ./FT. PER NFPA 13R:6.6.3
 - SPRINKLERS ARE NOT REQUIRED IN OPEN PORCHES OR STAIRS PER NFPA 13R:6.6.5
 - SPRINKLERS ARE NOT REQUIRED IN ATTICS, CRAWL SPACES, ELEVATOR SHAFTS OR CONCEALED SPACES PER NFPA 13R:6.6.6

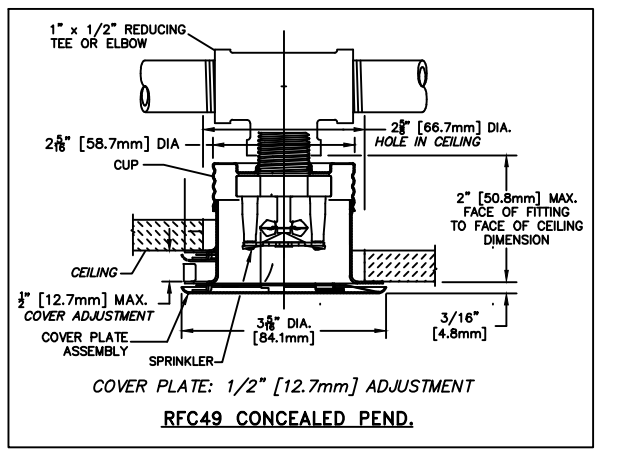
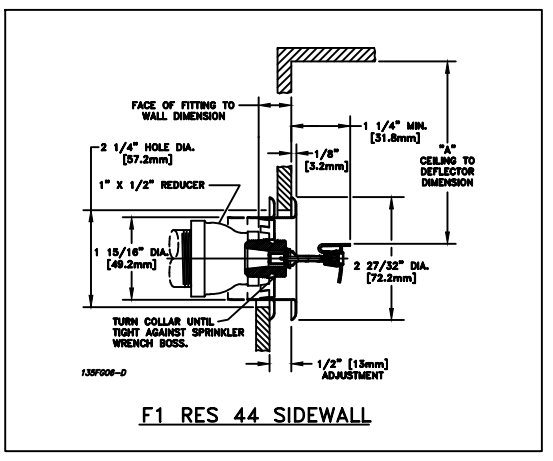
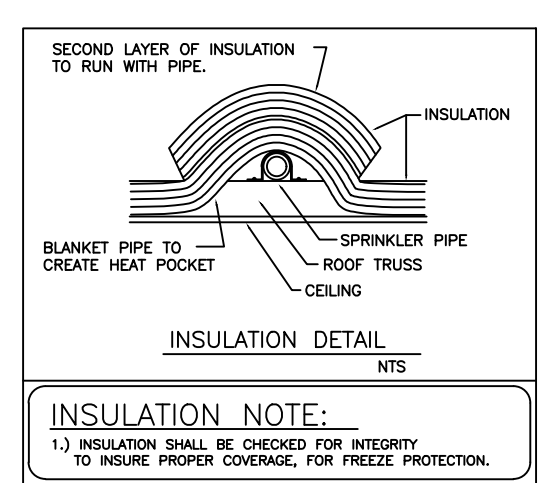
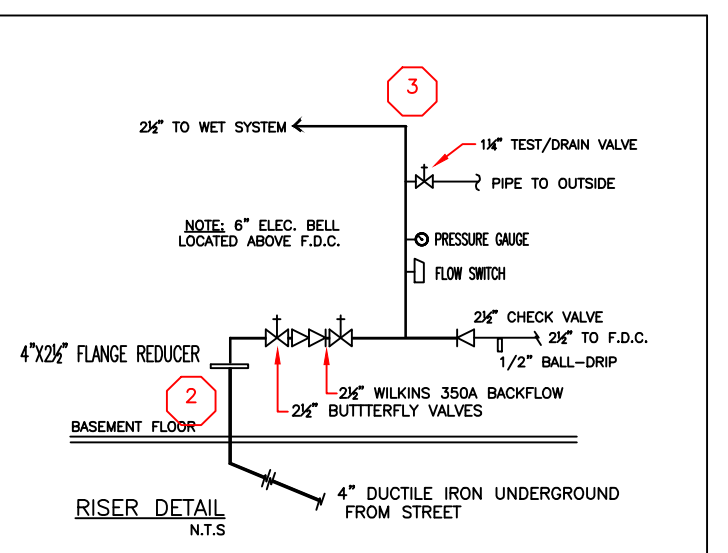
- GENERAL NOTES:**
- 3 STORY APARTMENT BUILDING TO BE PROTECTED WITH AN NFPA 13R COMPLIANT FIRE SPRINKLER SYSTEM.
 - WET SINGLE ZONE FIRE SPRINKLER SYSTEM TO PROTECT FIRST, SECOND, THIRD FLOOR AND LOFT LEVELS. OWNER IS RESPONSIBLE TO MAINTAIN ADEQUATE HEAT THROUGHOUT SPACES WITH WET SYSTEM PIPING.
 - PIPE SIZED BY HYDRAULIC CALCULATIONS FOR THE PROTECTION OF RESIDENTIAL OCCUPANCY PER NFPA 13R STANDARDS. BASEMENT CALCULATED TO ORDINARY 2 HAZARD OCCUPANCY TO ALLOW FOR TENANT STORAGE.
 - RISER AND BASEMENT PIPE TO BE SCHEDULE 40 AND 40 BLACK STEEL CONNECTED WITH LISTED GROOVED AND CAST IRON THREADED FITTINGS. PIPE TO BE SUPPORTED TO NFPA 13 STANDARDS.
 - PIPE ON FIRST THROUGH THIRD FLOOR LOFT LEVELS TO BE LISTED CPVC CONNECTED WITH CPVC FITTINGS.
 - SPRINKLERS OMITTED FROM SMALL CLOSETS, SMALL BATHS, ATTIC AND COMBUSTIBLE CONCEALED SPACES AS PERMITTED BY NFPA 13R, CHAPTER 6, SECTION 6.8.
 - OWNER IS RESPONSIBLE TO TEST AND MAINTAIN SYSTEM TO NFPA 13R REQUIREMENTS.

FLOW TEST INFORMATION

TEST PERFORMED: 5/2015
 BY: PORTLAND WATER DEPARTMENT

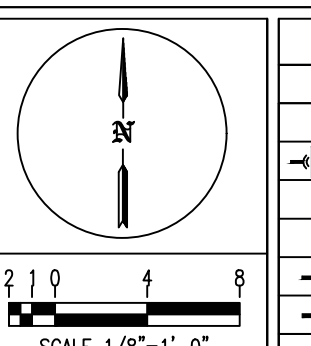
STATIC RESIDUAL HYDRANT
 LOCATION: CONGRESS & LAWRENCE
 STATIC READING: 51 PSI
 RESIDUAL READING: 44 PSI

FLOWING HYDRANT
 LOCATION: CONGRESS
 FLOW READING: 819 GPM



LIFE SAFETY
 Fire Protection, Inc.

97 Lower Jaffrey Road
 Dublin, NH 03444
 (603) 563-7700 phone
 (603) 563-7070 fax



LEGEND

(Symbol)	HYDRAULIC REFERENCE POINTS
(Symbol)	HANGER LOCATION
(Symbol)	PIPE RISE/DROP
(Symbol)	CENTER OF PIPE ABOVE FLOOR (ft.-in.)
(Symbol)	CENTER OF PIPE FROM BOTTOM OF DECK (in.)
(Symbol)	EXISTING PIPE TO REMAIN
(Symbol)	NEW PIPE INSTALLATION
(Symbol)	CILING HEIGHT

SPRINKLER INFORMATION

TOTAL HEADS THIS SHEET: 108				TOTAL HEADS THIS JOB: 108			
SYM	POSITION	FINISH	TEMP	K	NPT	MFG.	MODEL#
22	UPRIGHT	BRASS	155	8.0	3/4"	RELIABLE	F1R SSU
12	SIDEWALL	WHITE	155	4.4	1/2"	RELIABLE	F1/RES/44 HSW
74	PENDENT	CONCEALED	155	4.9	1/2"	RELIABLE	RFC49 PENDENT

15 MERRILL STREET
 PORTLAND, ME

CONTRACT WITH

NO	DATE	REVISIONS DESCRIPTION

SCALE: 1/8"=1'-0"
 DRAWN BY: JGD
 DATE: 4/28/2017
 JOB NUMBER: 17057
 SHEET NUMBER: F1 of 1