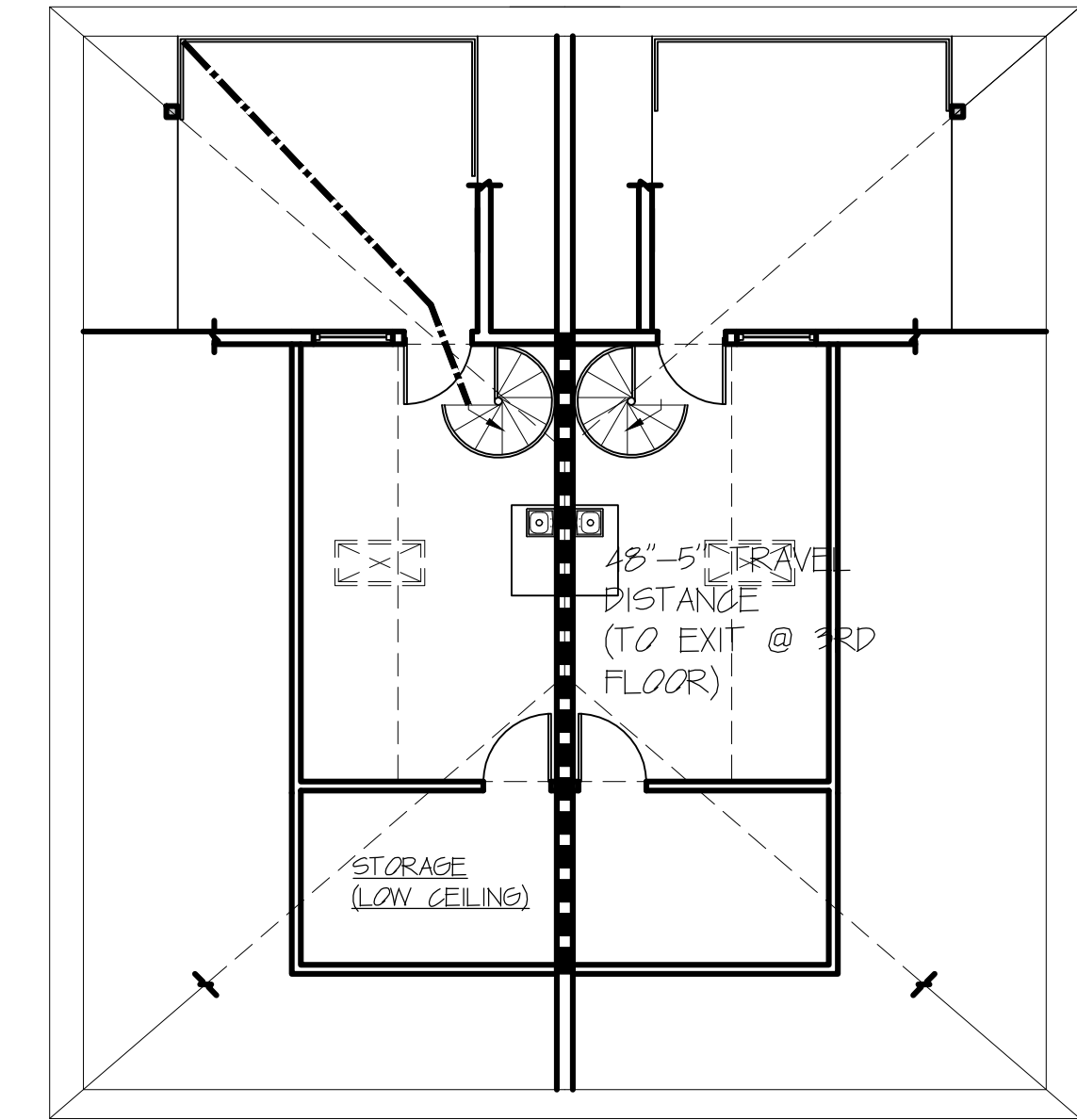
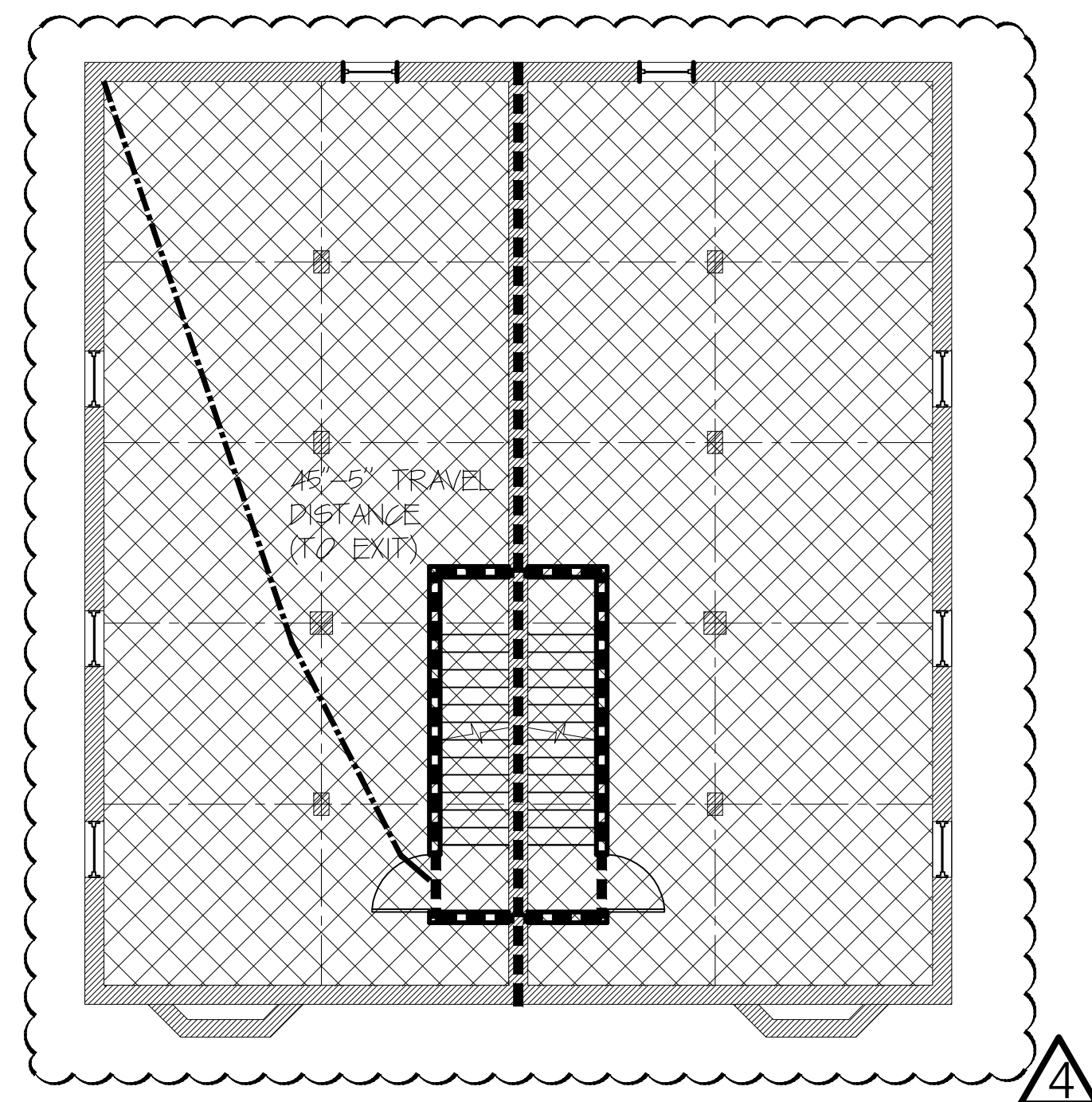


1 SITE PLAN
SCALE: 1/16" = 1'-0"

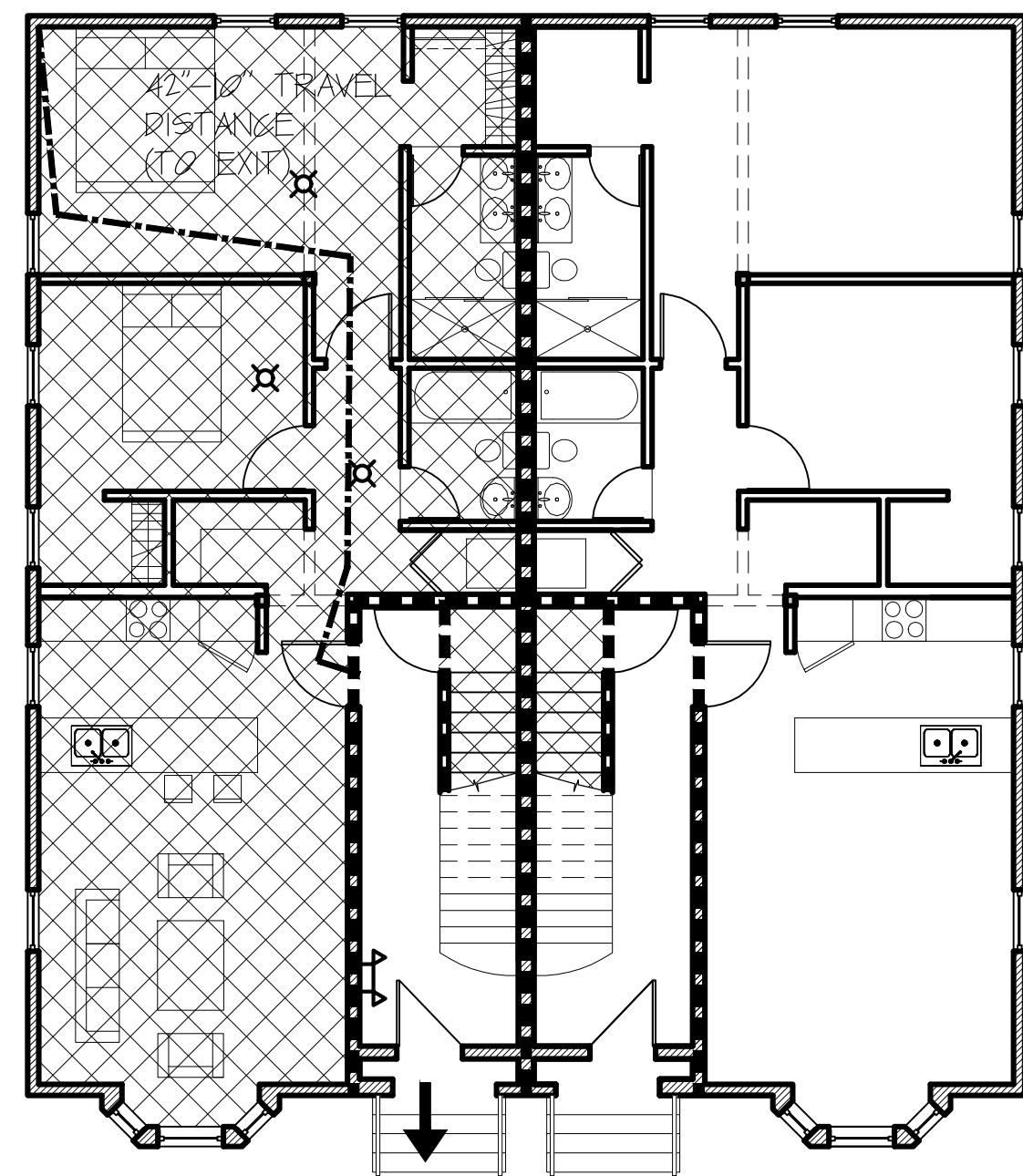
KEY	
	EMERGENCY LIGHTING
	EXIT DISCHARGE
	SMOKE DETECTOR
	PROPOSED 1 HR RATED CEILING ASSEMBLY
	PROPOSED 2 HR RATED CEILING ASSEMBLY
	EXISTING AND PROPOSED 1 HR WALLS (SEE WALL TYPES)



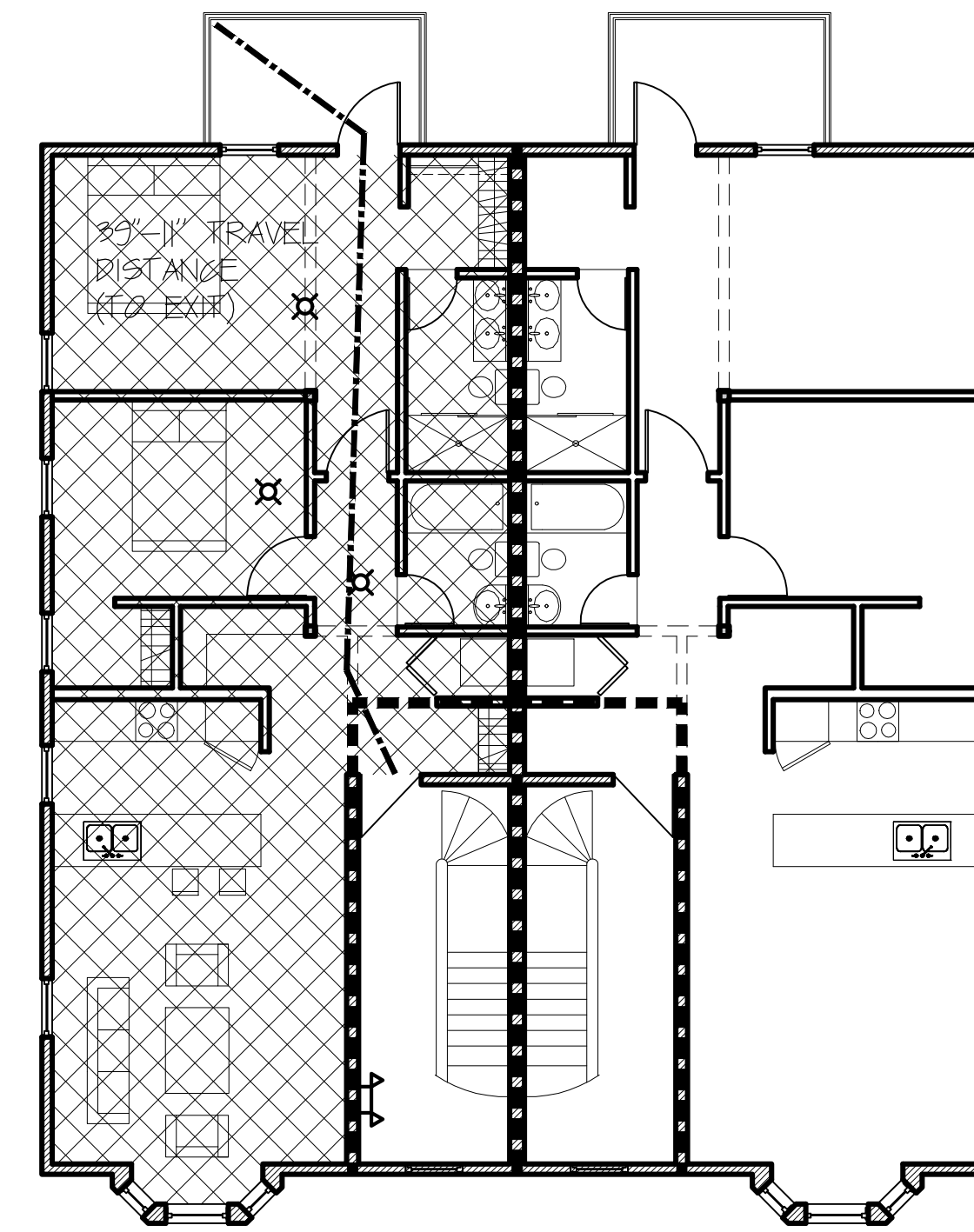
6 LOFT CODE
SCALE: 1/8" = 1'-0"



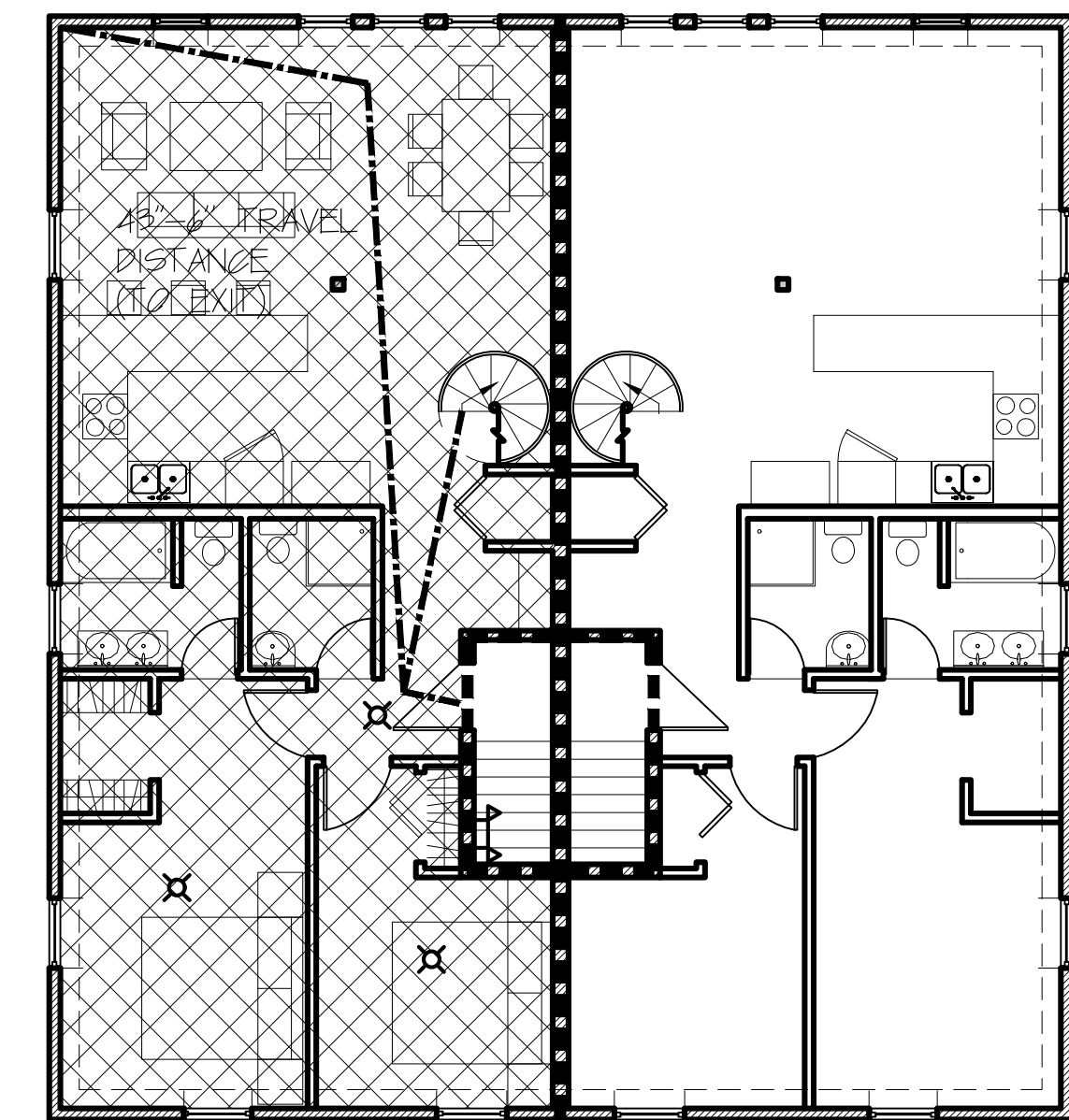
2 BASEMENT CODE
SCALE: 1/8" = 1'-0"



3 FIRST FLOOR CODE
SCALE: 1/8" = 1'-0"



4 SECOND FLOOR CODE
SCALE: 1/8" = 1'-0"



5 THIRD FLOOR CODE
SCALE: 1/8" = 1'-0"