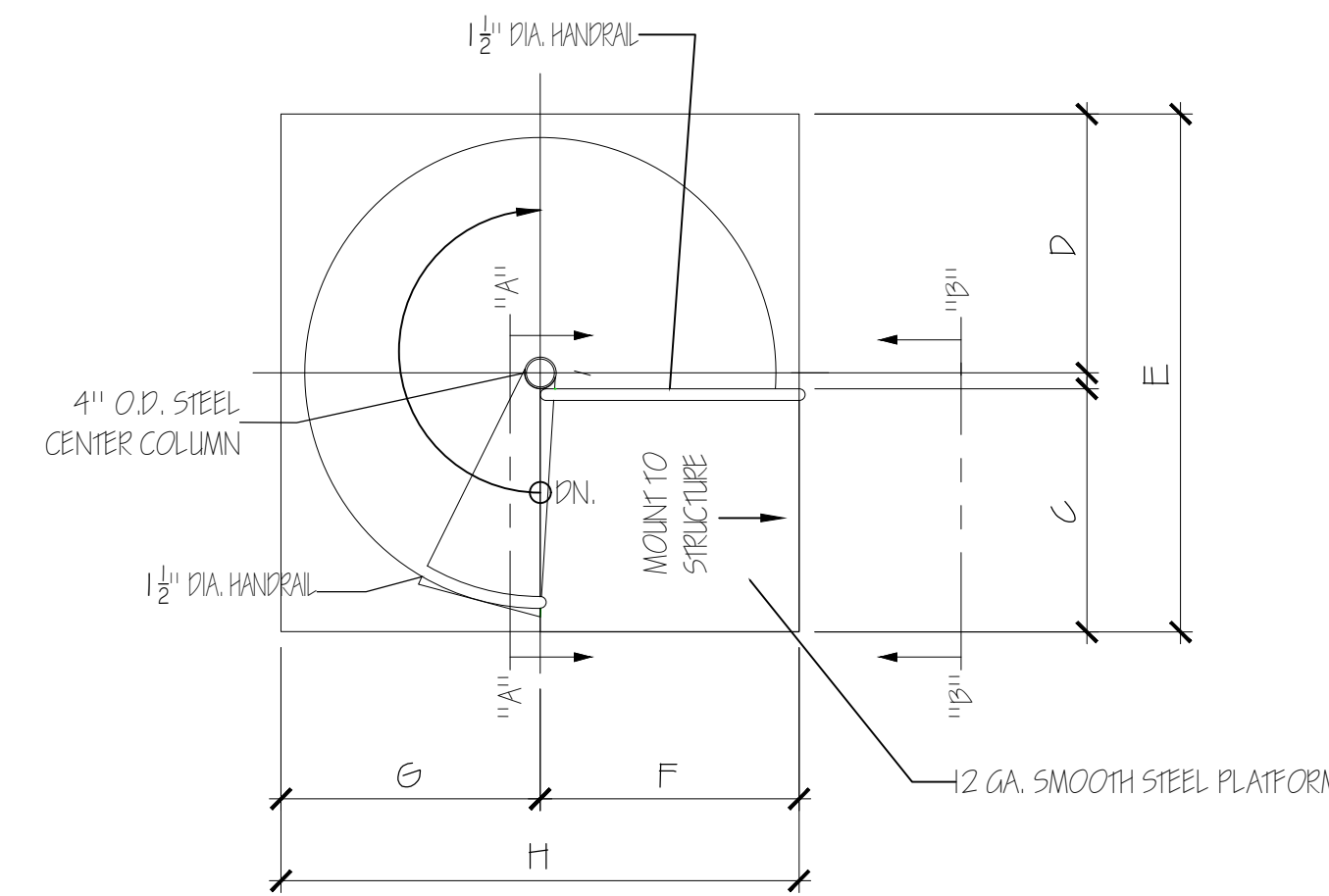


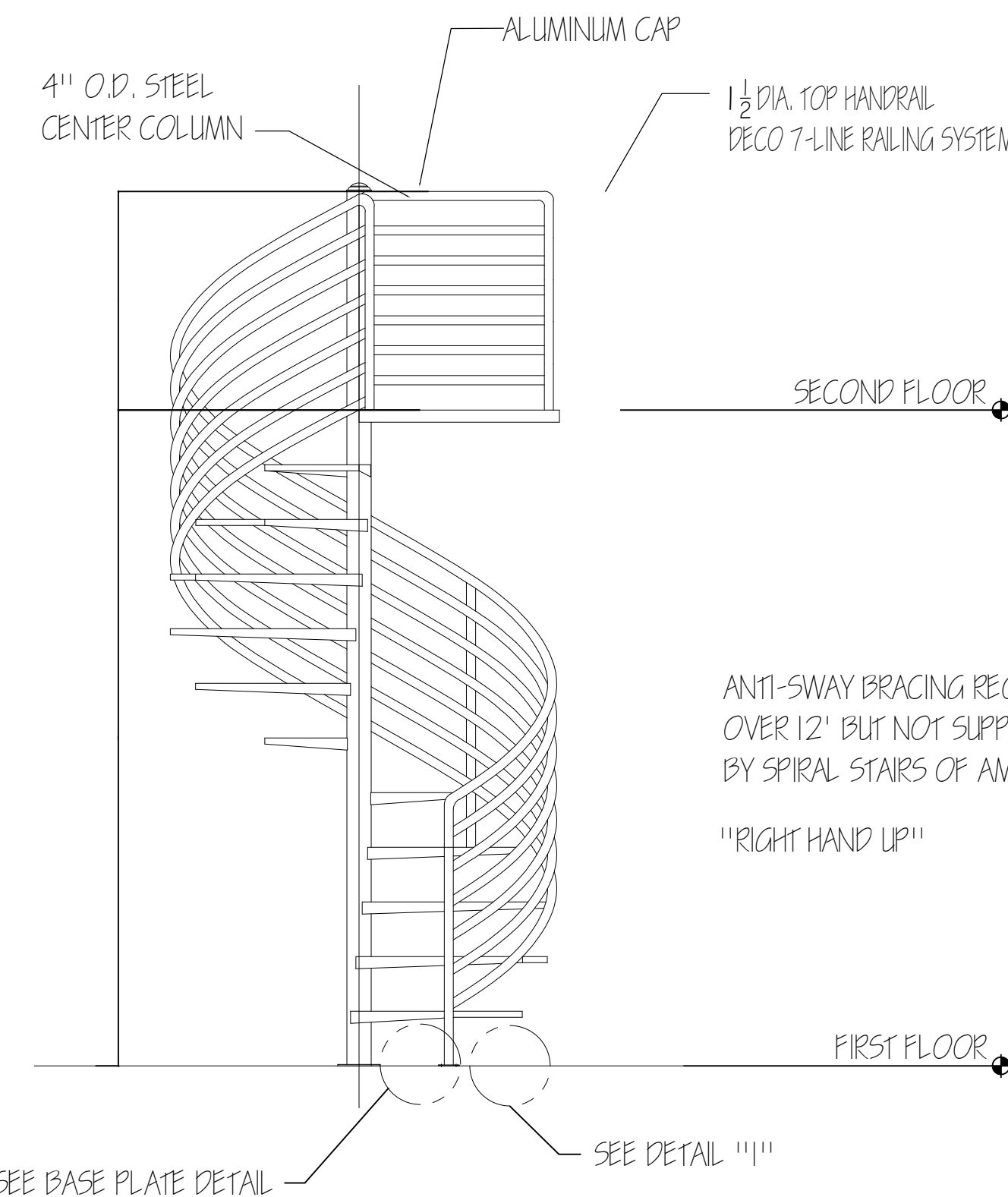
STAIR DIAMETER	DIMENSION			
	"R"	"S"	"T"	"U"
60"	15 15/16"	28"	9 9/16"	

3 TREAD DETAIL SCALE: 1" = 1'-0"



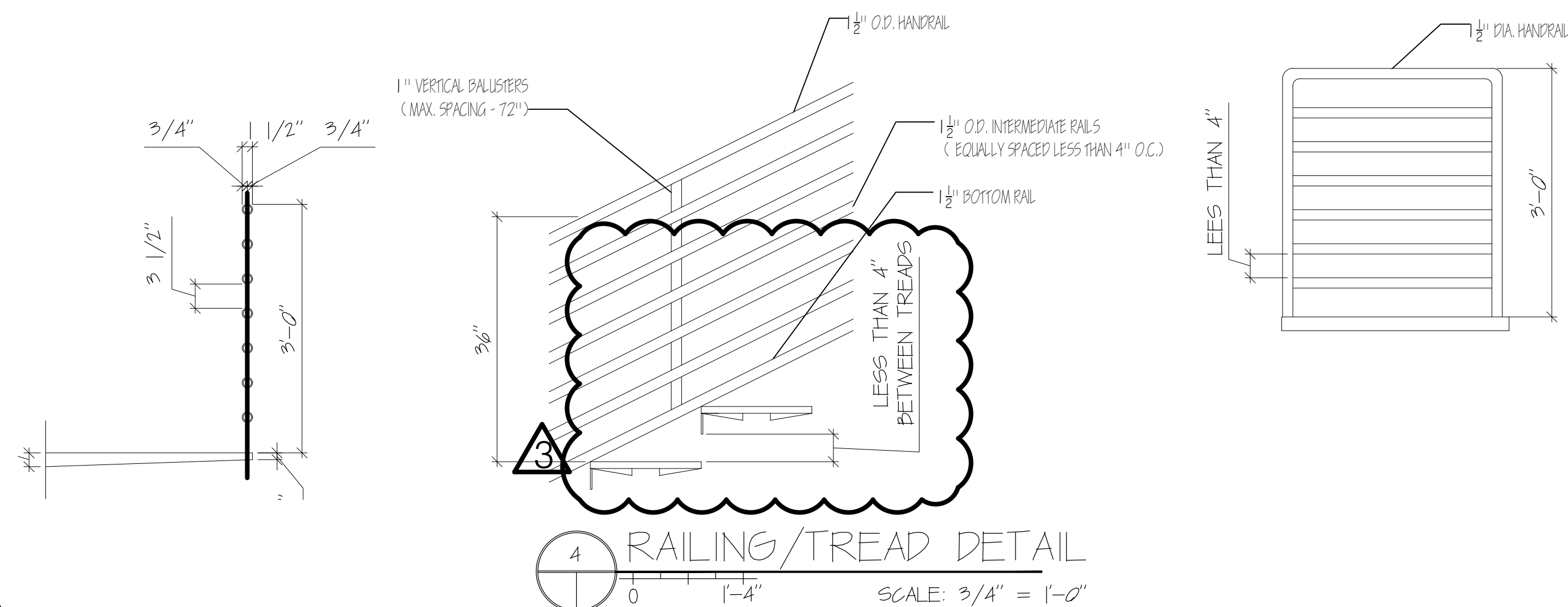
STAIR DIAMETER	DIMENSION					
	"C"	"D"	"E"	"F"	"G"	"H"
60"	31"	35"	66"	35"	35"	66"

2 STAIR PLAN AT TOP SCALE: 1/2" = 1'-0"

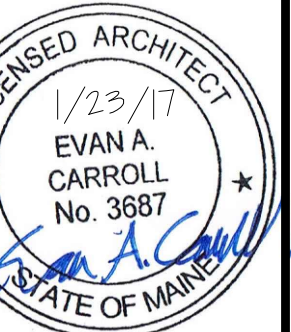


STAIR HEIGHT SCHEDULE - 30° TREADS			
8 1/2" MIN. - 9 1/2" MAX. RISERS			
STAIR HEIGHT	NUMBER OF TREADS	NUMBER OF RISERS	DEGREES OF ROTATION
104 1/2" - 114"	11	12	330°

1 STAIR ELEVATION SCALE: 1/2" = 1'-0"



4 RAILING/TREAD DETAIL SCALE: 3/4" = 1'-0"



REVISIONS	DATE
1	1/23/17
2	2/17/17
3	3/3/17
4	
5	

