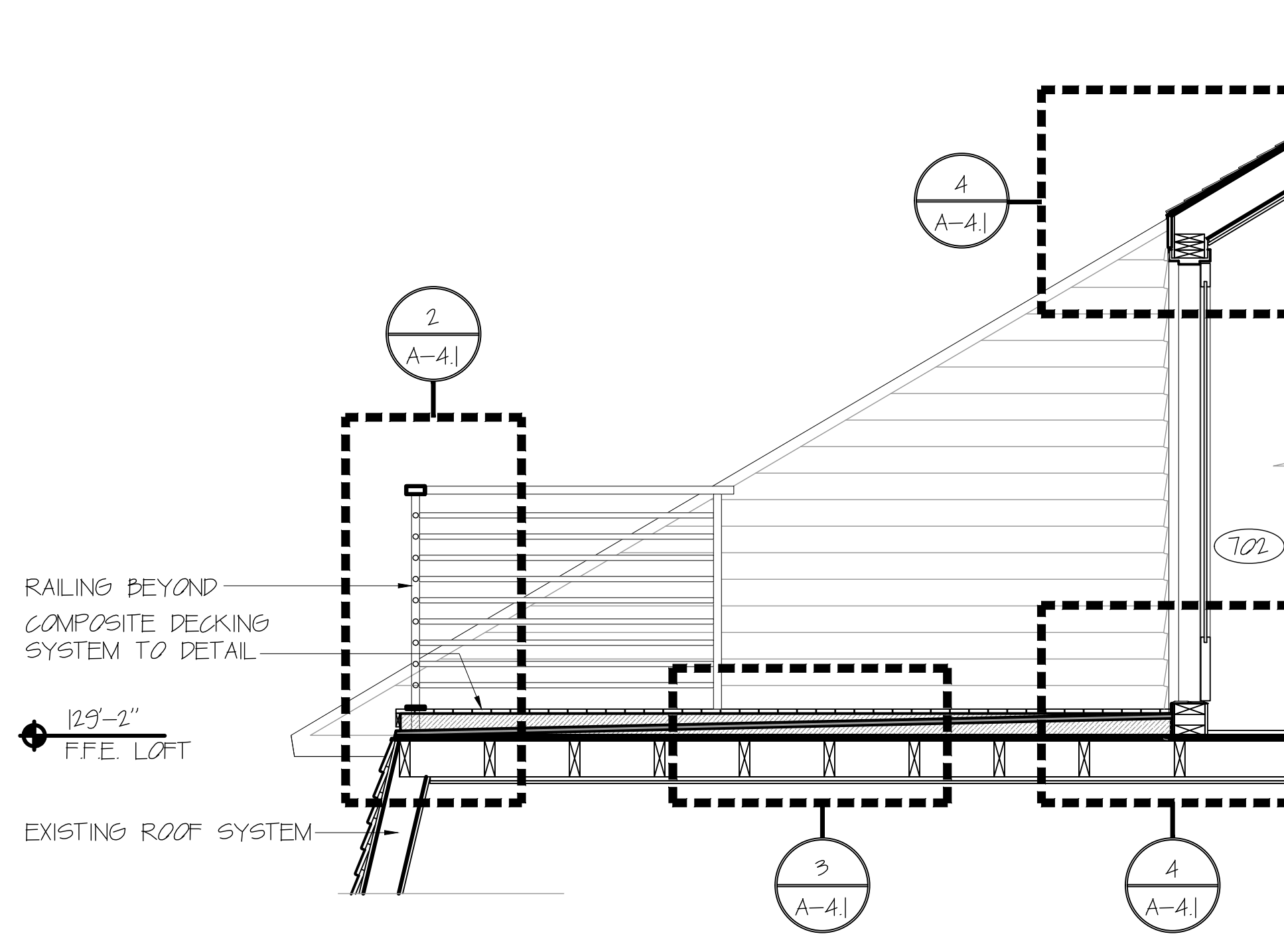
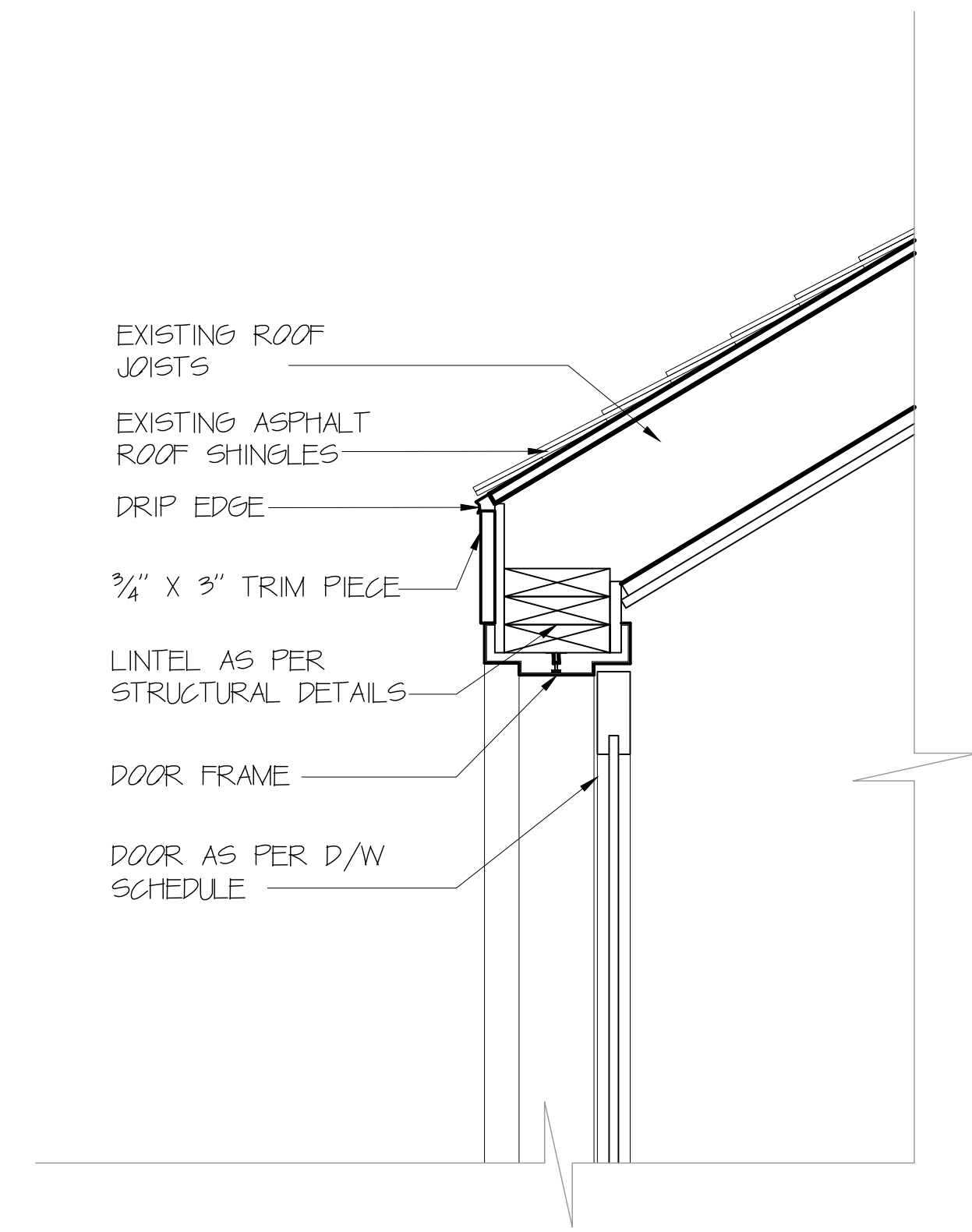


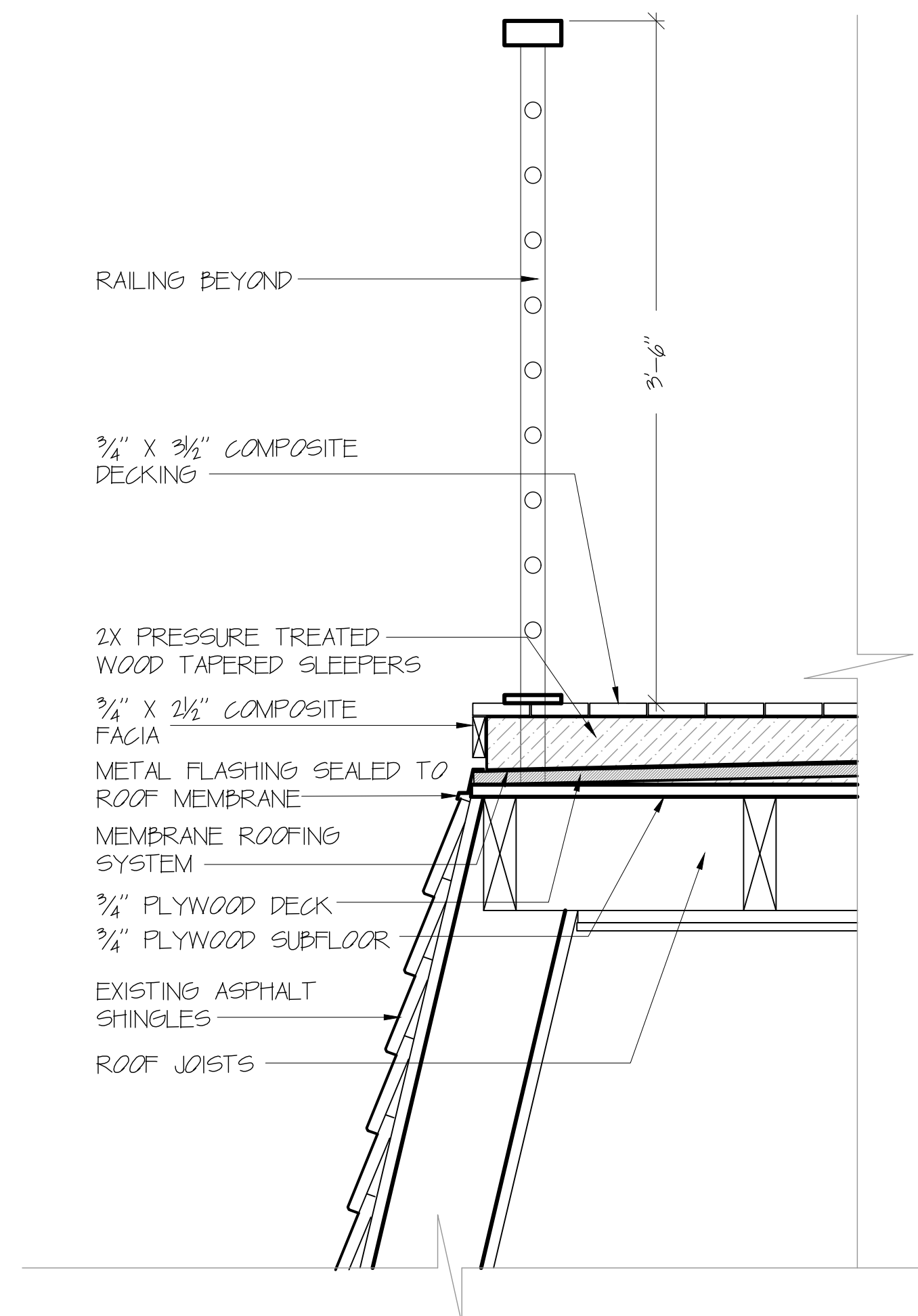
ROOF DECK KEY PLAN  
SCALE: 1/2" = 1'-0"



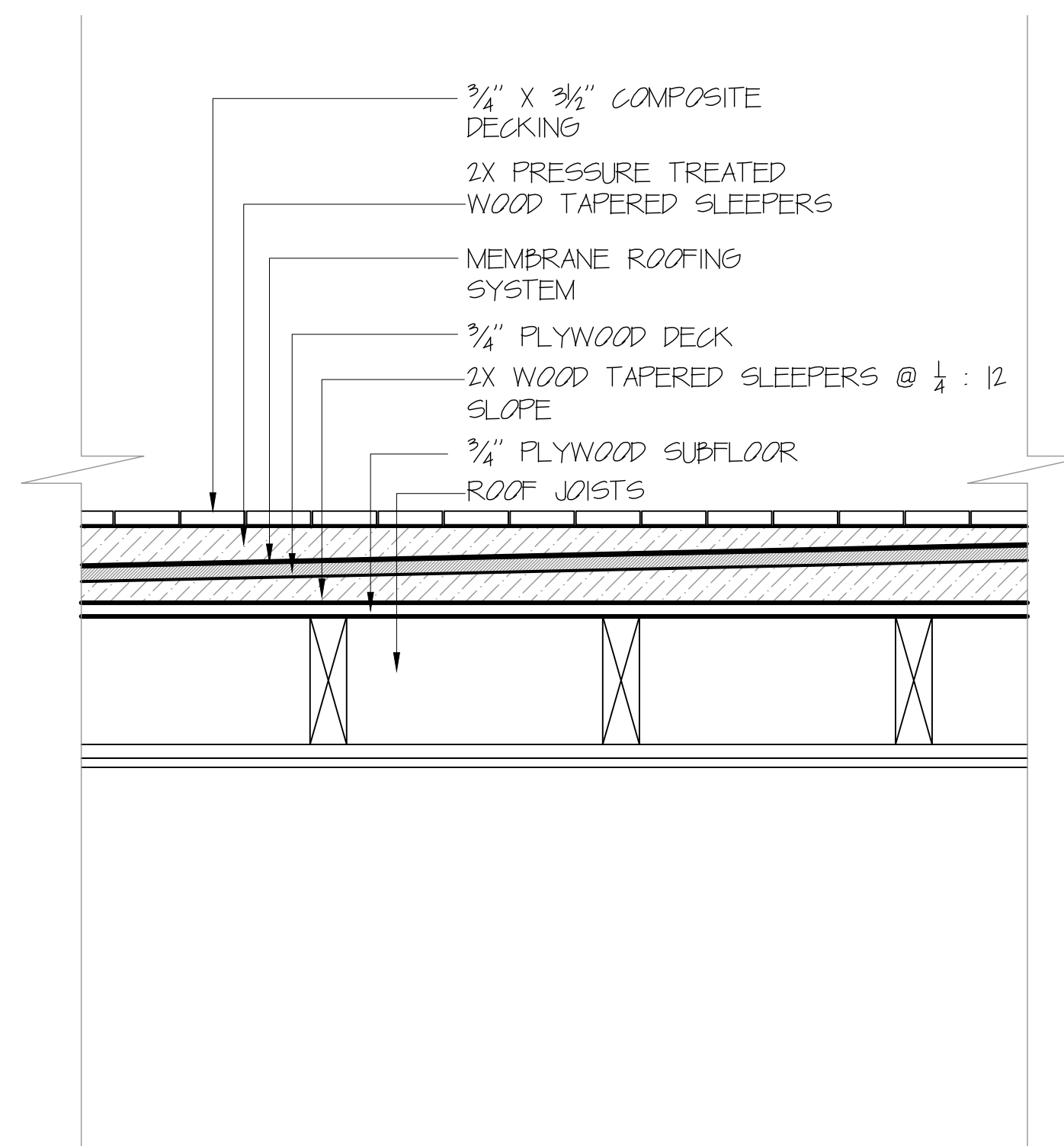
ROOF DECK SECTION  
SCALE: 1/2" = 1'-0"



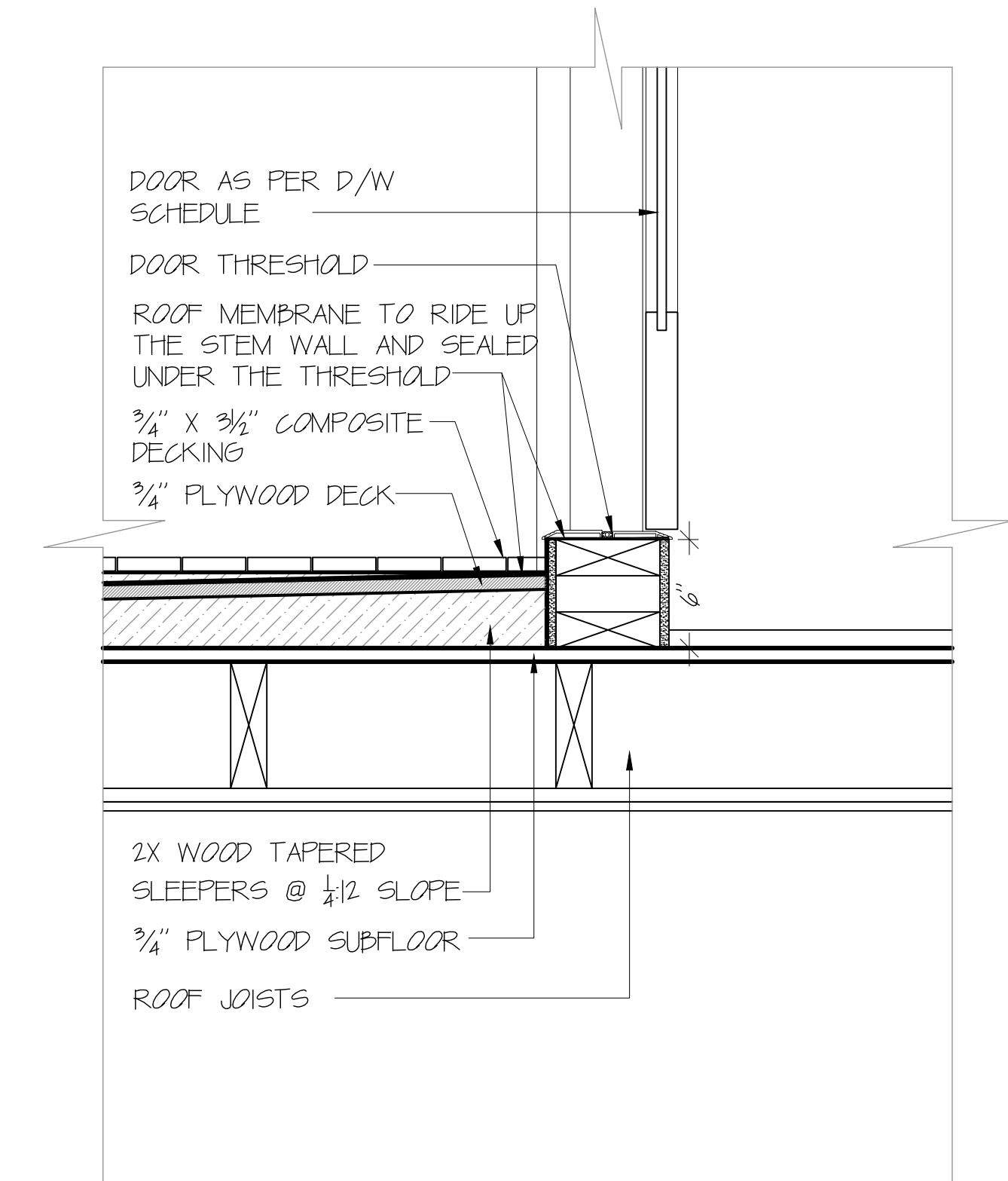
DETAIL 5  
SCALE: 1 1/2" = 1'-0"



DETAIL 2  
SCALE: 1 1/2" = 1'-0"



DETAIL 3  
SCALE: 1 1/2" = 1'-0"



DETAIL 4  
SCALE: 1 1/2" = 1'-0"