

COPYRIGHT: Reuse or reproduction of the contents of this document is not permitted without written permission of Bild Architecture LLC

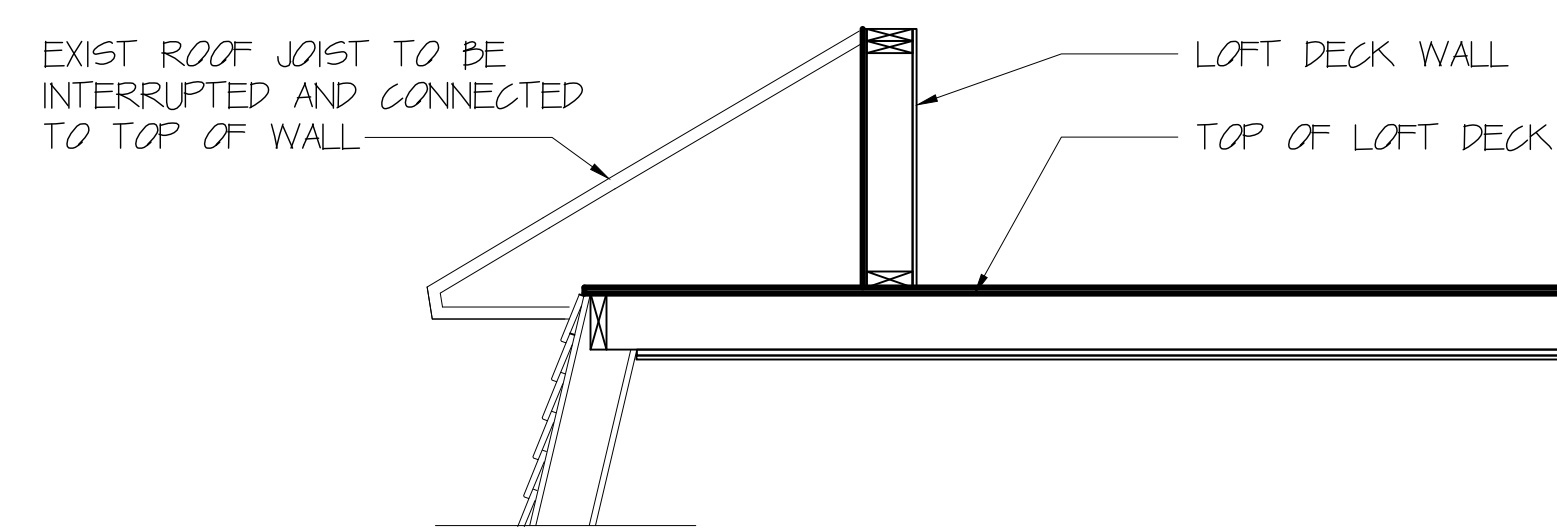
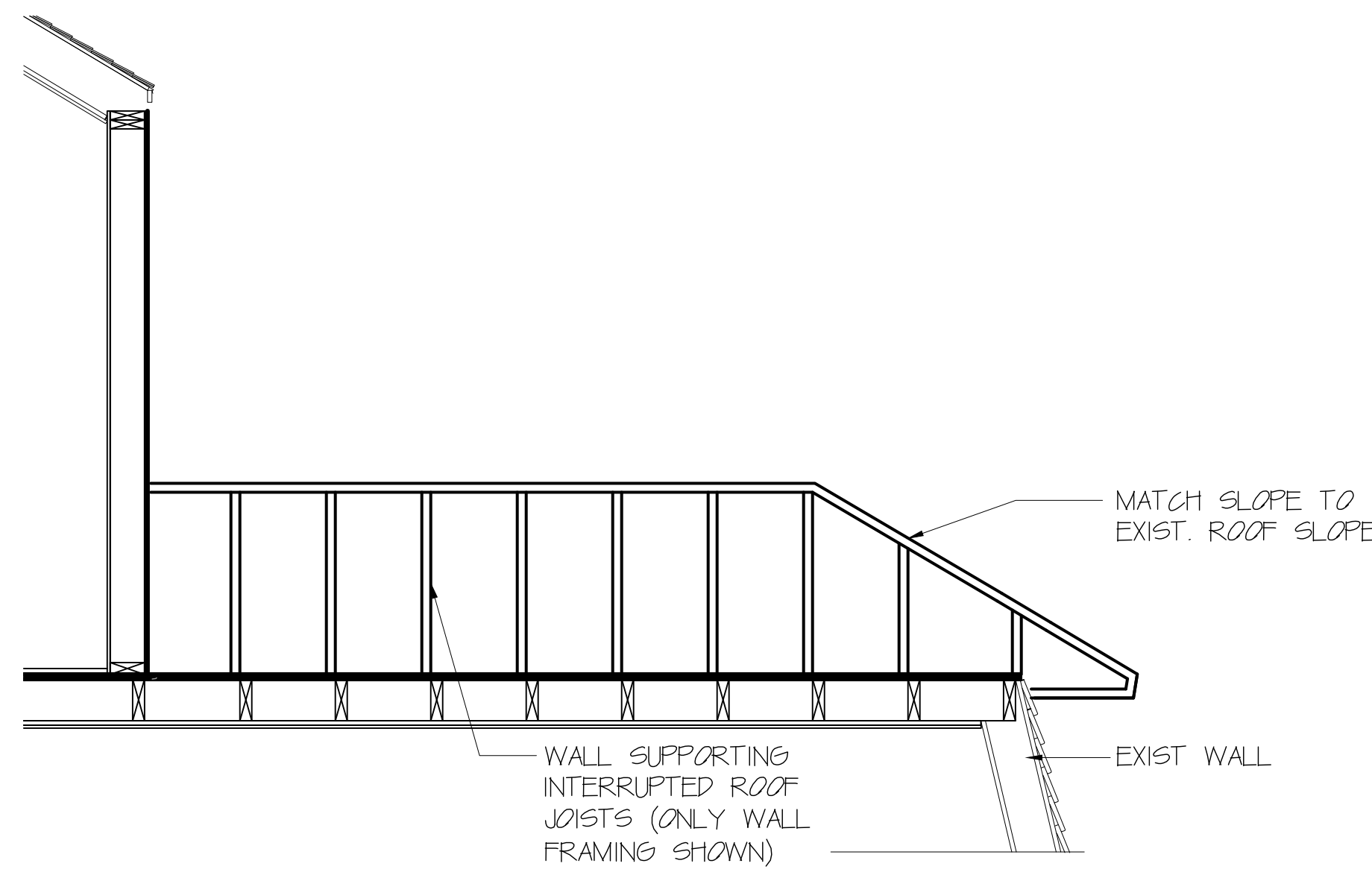
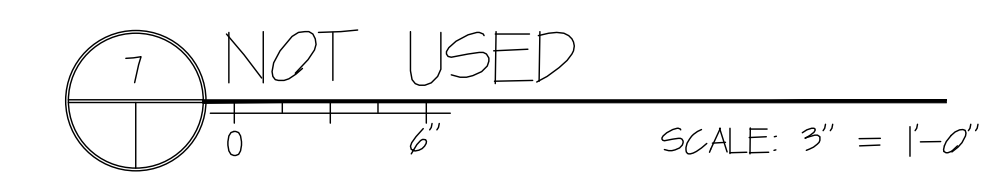
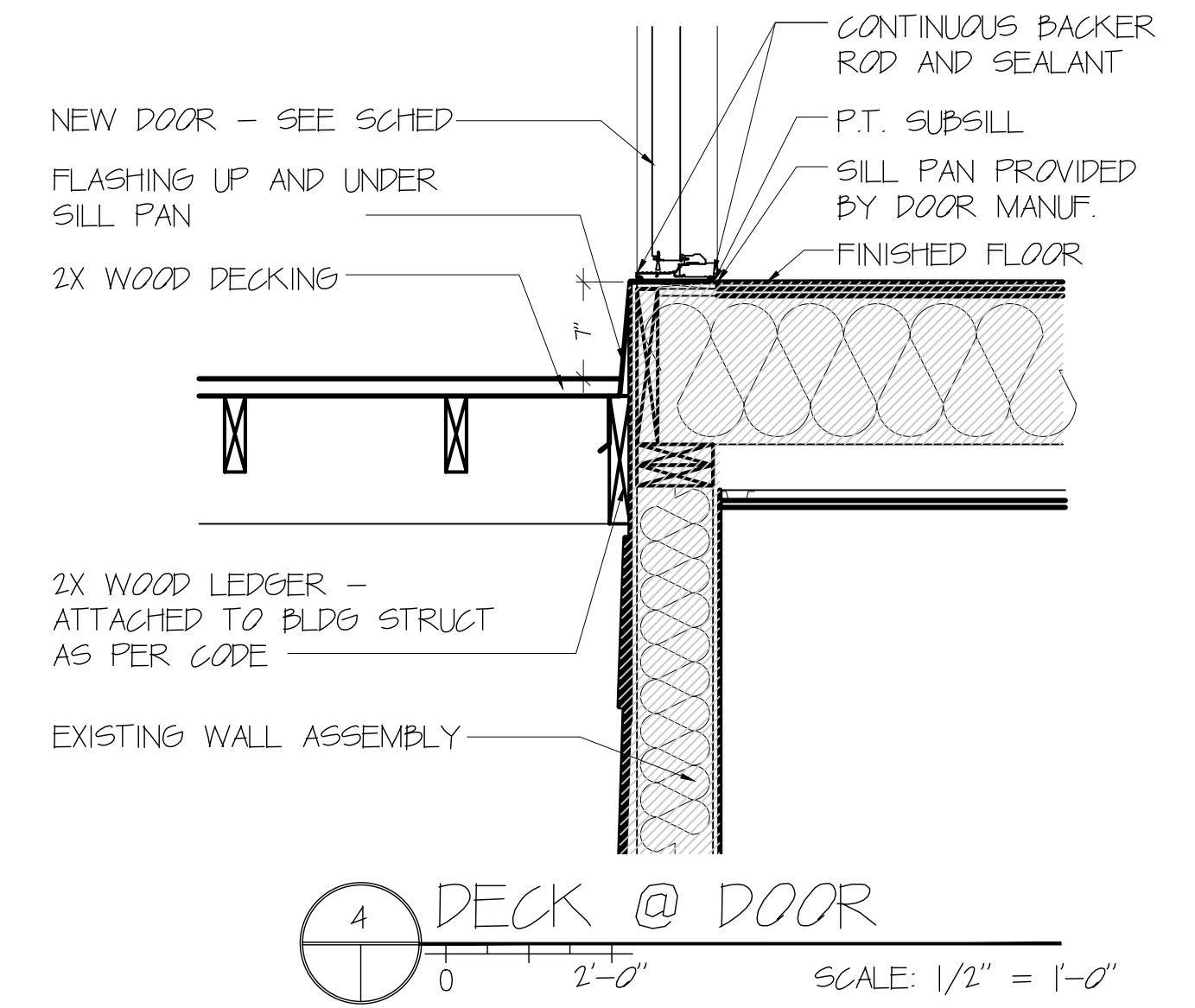
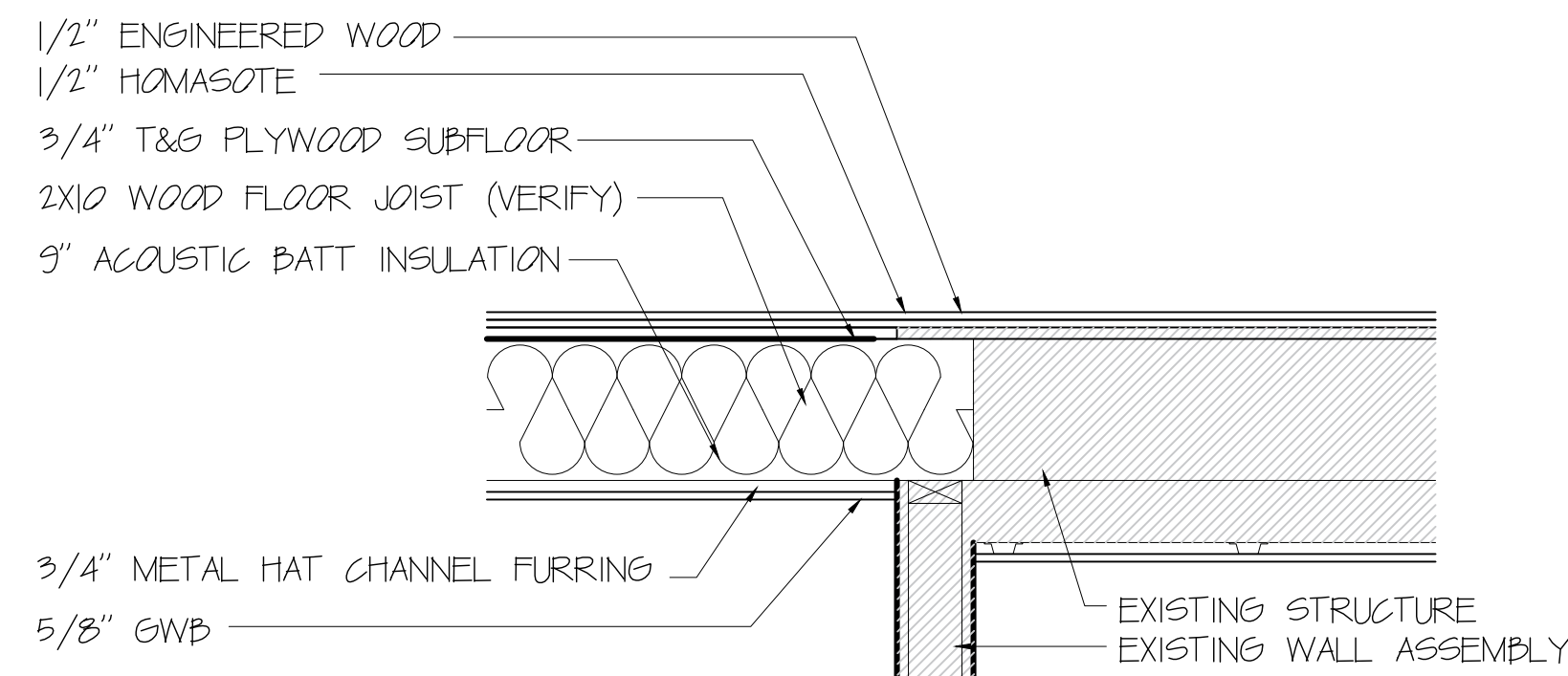
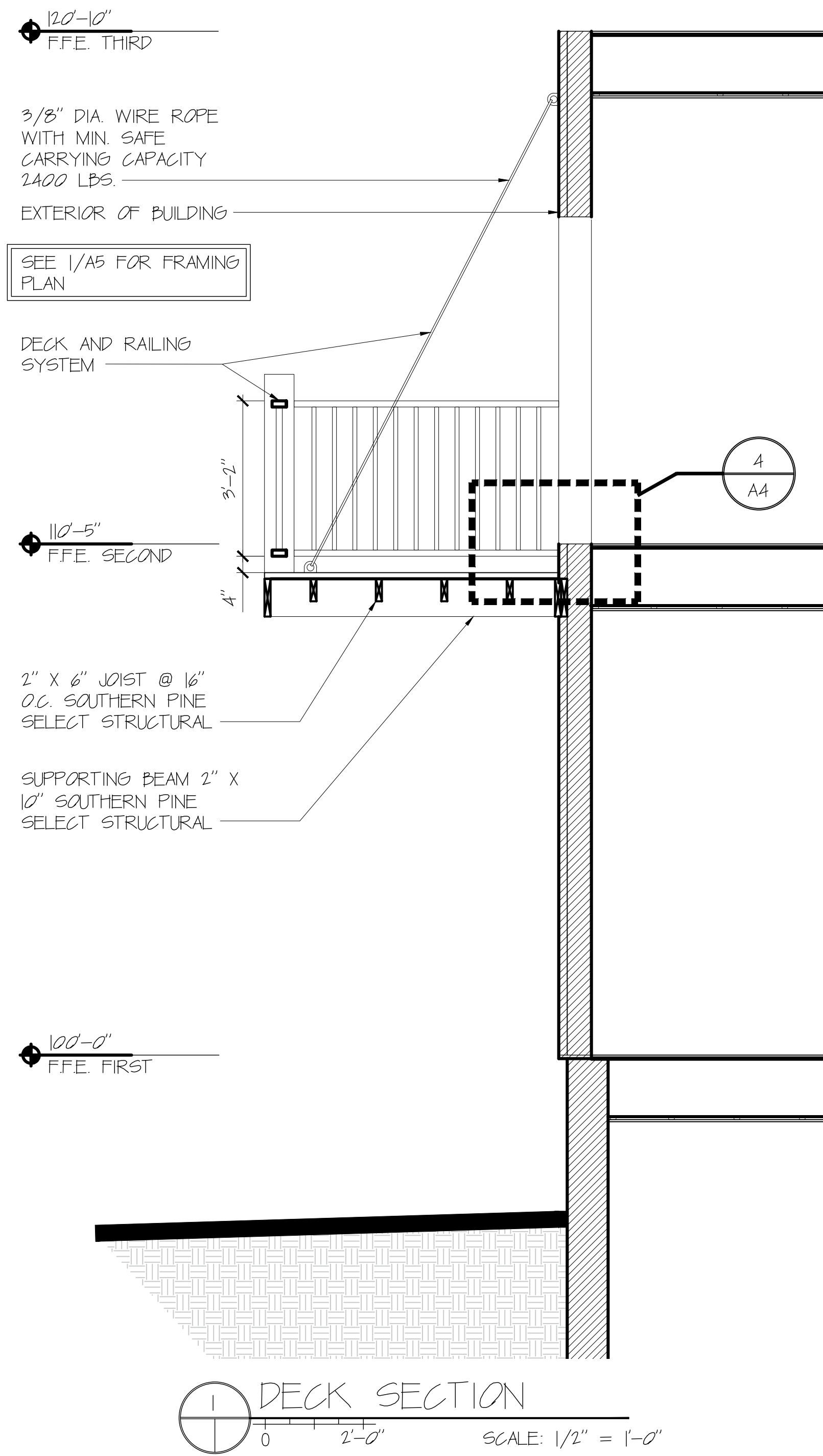


Bild Architecture
 PO Box 8235
 Portland, ME 04104
 207.408.0168
 evan@bildarchitecture.com

PROJECT NO. 16038
PROJECT NAME 15-17 MERRILL STREET PORTLAND, ME

ISSUE DATE 4/15/16
ISSUE SCALE VARIES

REVISIONS

1	1/23/17
2	
3	
4	
5	

DRAWN BY EMW
SHEET TITLE DETAILS

PERMIT AMENDMENTS

A

4

