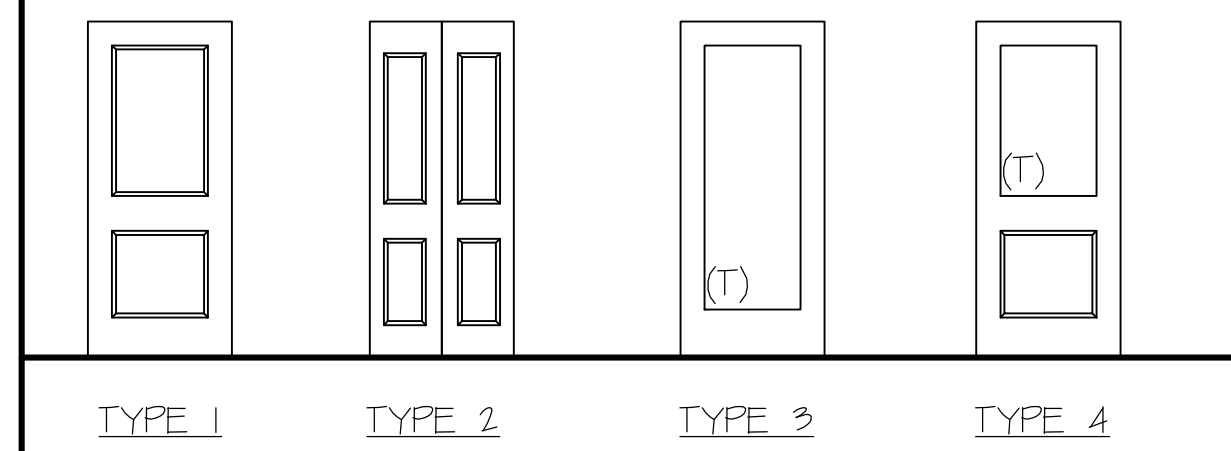


DOOR SCHEDULE									
DOOR #	FROM	TO	SIZE	DOOR MATERIAL	DOOR TYPE	DOOR RATING	FRAME	HARDWARE SET	NOTES
099, 098	EXTERIOR	HALL	3'-0" X 7'-0"	3'-0" X 7'-0"	4	1 HR	EXISTING	06	1
100, 200	HALLWAY	LIVING	3'-0" X 7'-0"	SOLID CORE	1	1 HR	WOOD	01	-
101, 201	KITCHEN	BED #2	2'-6" X 7'-0"	SOLID CORE	1	-	WOOD	03	-
102, 202	BED 2	CLOSET	5'-0" X 7'-0"	SOLID CORE	2	-	WOOD	04	-
103, 203	KITCHEN	BED 1	2'-6" X 7'-0"	SOLID CORE	1	-	WOOD	03	-
104, 204	KITCHEN	1/2 BATH	2'-6" X 7'-0"	SOLID CORE	1	-	WOOD	03	-
105, 205	BED 1	BATH	2'-6" X 7'-0"	SOLID CORE	1	-	WOOD	03	-
106, 206	DINING	STAIR CLOSET	2'-6" X 7'-0"	SOLID CORE	1	-	WOOD	02	-
107, 207	DINING	COAT CLOSET	2'-6" X 7'-0"	SOLID CORE	1	-	WOOD	02	-
108, 208	BED 1	EXTERIOR	3'-0" X 6'-8"	SOLID CORE	3	-	WOOD	05	-
109, 209	BED 1	CLOSET	5'-0" X 7'-0"	SOLID CORE	2	-	WOOD	04	-
300, 400	HALLWAY	LIVING	3'-0" X 7'-0"	SOLID CORE	1	1 HR	WOOD	01	-
301, 401	KITCHEN	BED #2	2'-6" X 7'-0"	SOLID CORE	1	-	WOOD	03	-
302, 402	BED 2	CLOSET	5'-0" X 7'-0"	SOLID CORE	2	-	WOOD	04	-
303, 403	KITCHEN	BED 1	2'-6" X 7'-0"	SOLID CORE	1	-	WOOD	03	-
304, 404	KITCHEN	1/2 BATH	2'-6" X 7'-0"	SOLID CORE	1	-	WOOD	03	-
305, 405	BED 1	BATH	2'-6" X 7'-0"	SOLID CORE	1	-	WOOD	03	-
306, 406	BED 1	CLOSET	5'-0" X 7'-0"	SOLID CORE	2	-	WOOD	04	-
307, 407	BED 1	EXTERIOR	3'-0" X 6'-8"	SOLID CORE	3	-	WOOD	05	-
308, 408	KITCHEN	CLOSET	2'-6" X 7'-0"	SOLID CORE	1	-	WOOD	02	-
500, 600	HALLWAY	HALL	3'-0" X 7'-0"	SOLID CORE	1	1 HR	WOOD	01	-
501, 601	HALL	BED #2	2'-6" X 7'-0"	SOLID CORE	1	-	WOOD	03	-
502, 602	BED 2	CLOSET	4'-0" X 7'-0"	SOLID CORE	2	-	WOOD	04	-
503, 603	HALL	BED 1	2'-6" X 7'-0"	SOLID CORE	1	-	WOOD	03	-
504, 604	BED 1	CLOSET	4'-0" X 7'-0"	SOLID CORE	2	-	WOOD	04	-
505, 605	BED 1	BATH	2'-6" X 7'-0"	SOLID CORE	1	-	WOOD	03	-
506, 606	KITCHEN	EXTERIOR	3'-0" X 6'-8"	SOLID CORE	3	-	WOOD	05	-
507, 607	HALL	1/2 BATH	2'-6" X 7'-0"	SOLID CORE	1	-	WOOD	03	-
508, 608	DINING	CLOSET	3'-8" X 7'-0"	SOLID CORE	2	-	WOOD	04	-
509, 609	DINING	CLOSET	3'-8" X 7'-0"	SOLID CORE	2	-	WOOD	04	-



**GENERAL DOOR SCHEDULE NOTES:**

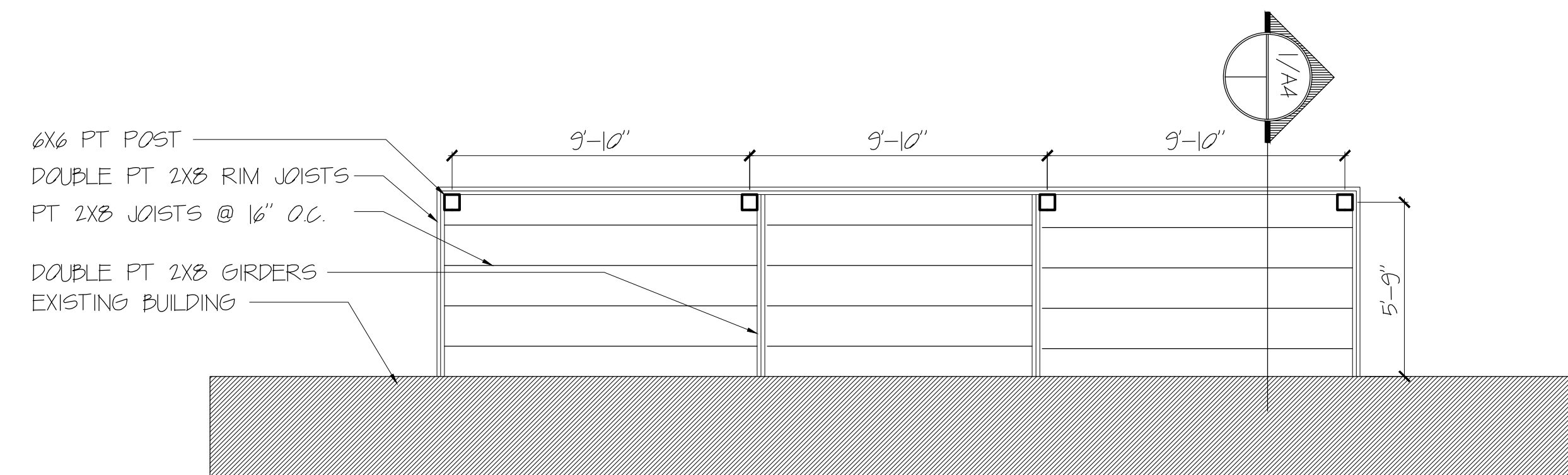
- ALL DOOR HANDLES TO BE ADA COMPLIANT LEVER HANDLES.
- DOORS WITHIN UNITS TO BE CLEAR FINISH FLUSH PANEL BIRCH

**DOOR SCHEDULE NOTES:**

1. KEEP EXISTING WOOD FRAME

**HARDWARE SETS:**

- 01 UNIT ENTRY DOORS: PEEP HOLE, (3) HINGES, SOFT CLOSE DAMPER, STRIKE, DOOR STOP, SINGLE CYLINDER DEADBOLT, LOCKSET, THROW-BOLT, LATCH ASSEMBLY, LEVER, DOOR CHIME ON
- 02 CLOSET DOORS: (3) HINGES, PASSAGE LOCKSET
- 03 BEDROOM & BATH DOORS: (3) HINGES, PRIVACY LOCKSET, CORES
- 04 CLOSET DOORS: (3) HINGES, CORES
- 05 DECK DOORS: (3) HINGES, SINGLE CYLINDER DEADBOLT, LOCKSET, THRESHOLD,
- 06 BUILDING ENTRY DOOR: (3) HINGES, SINGLE CYLINDER DEADBOLT, LEVER LOCKSET, THRESHOLD,



DECK FRAMING PLAN  
SCALE: 1/4" = 1'-0"

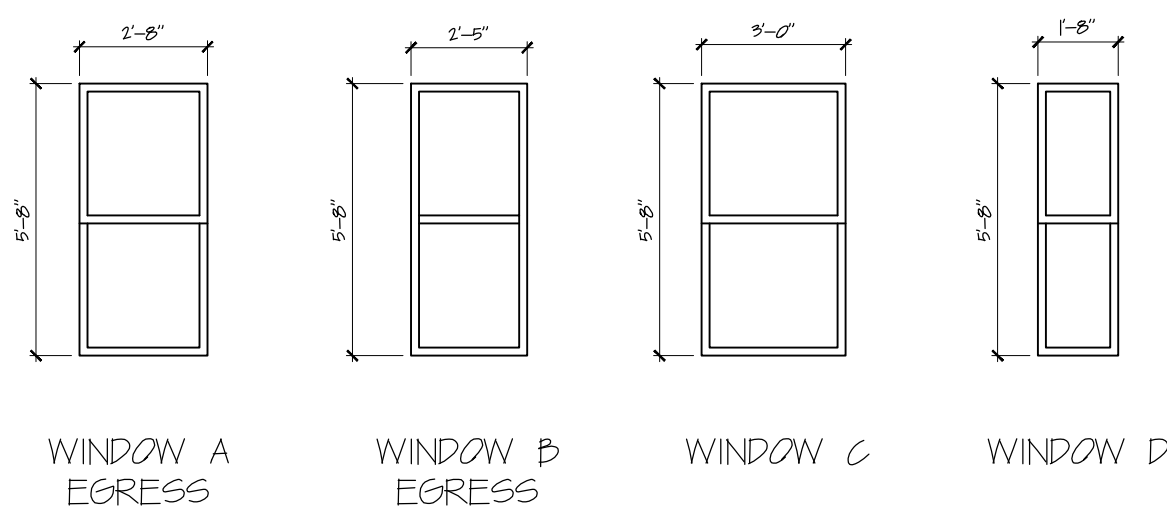
WINDOW SCHEDULE							
TYPE	SIZE (ROUGH OPENING)	MATERIAL	OPERATION	HEAD DETAIL	JAMB DETAIL	SILL DETAIL	NOTES
A	5'-8" X 2'-8"	PVC	DOUBLE HUNG	VARIABLES	VARIABLES	VARIABLES	1, 6
B	5'-8" X 2'-5"	PVC	CASEMENT	-	-	-	1, 6
C	5'-8" X 3'-0"	PVC	DOUBLE HUNG	-	-	-	1
D	5'-8" X 1'-8"	PVC	DOUBLE HUNG	VARIABLES	VARIABLES	VARIABLES	1

**WINDOW SCHEDULE NOTES:**

1. FIELD VERIFY ALL DIMENSIONS
2. VERIFY EXISTING ROUGH OPENING IN FIELD.
3. WINDOW TO BE THERMALLY BROKEN.
4. 1X4 TRIM AROUND WINDOWS
5. SILL W/ APRON AT WINDOWS (TYP)
6. EGRESS WINDOWS NEED A NET CLEAR OPENING OF 5.7 SF AND CLEAR OPENING DIMENSIONS OF 24" HIGH BY 20" WIDE

**WINDOW SPECIFICATIONS:**

1. Size and window configuration. See Window Schedule
2. Color options. TBD
3. Factory Mulling Capability. -
4. Design Pressure Rating. 25
5. U Factor. 0.35 or lower
6. Material. See Window Schedule
7. Glazing Type. Triple glazing Preferred (best financial value for the lowest U-factor)
8. Hardware type. TBD
9. Exterior Washing Capability. Washing from interior preferred
10. Warranty (Window & glazing units). -
11. Insect Screens. Standard Insect Screens



**Bild Architecture**  
 PO Box 8235  
 Portland, ME  
 04104  
 207.408.0168  
 evan@bildarchitecture.com

**PROJECT NO. 15027**  
**PROJECT NAME 15-17 MERRILL STREET PORTLAND, ME**

**PERMIT SET**

REVISIONS  
 1 -  
 2 -  
 3 -  
 4 -  
 5 -

DRAWN BY **EMW**  
 SHEET TITLE **DOOR/WINDOW**

ISSUE DATE **4/15/16**  
 SHEET SCALE **1/4" = 1'-0"**

**A**  
**5**