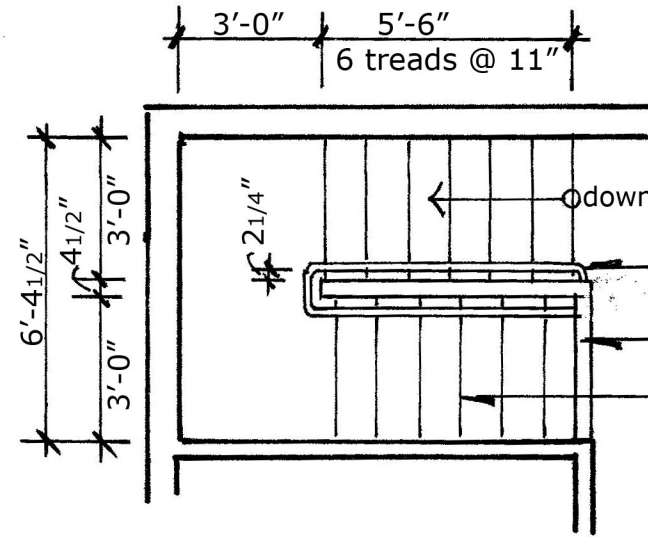
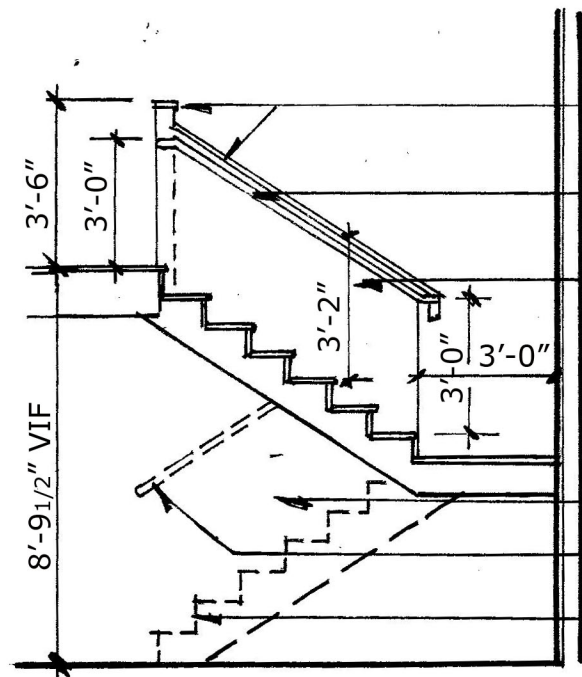
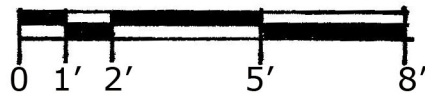


**STAIR NOTES**

Min width: 36"  
 Handrail projection: max. 4 1/2" into stair width  
 Handrail clearance: 2 1/4" clear of wall  
 Handrails shall return to wall  
 Max. riser height: 7 1/2"  
 Min. tread depth: 11"



**1 Stair Plan**  
 1/4" = 1'-0"



**2 Stair Section**  
 1/4" = 1'-0"

**THIS STAIR:**  
 14 equal risers,  
 12 treads

wood or ptd. metal  
 1 1/2" OD handrail  
 gyp. bd. wall to 3'-6" hgt.  
 hardwd. treads, risers &  
 landing

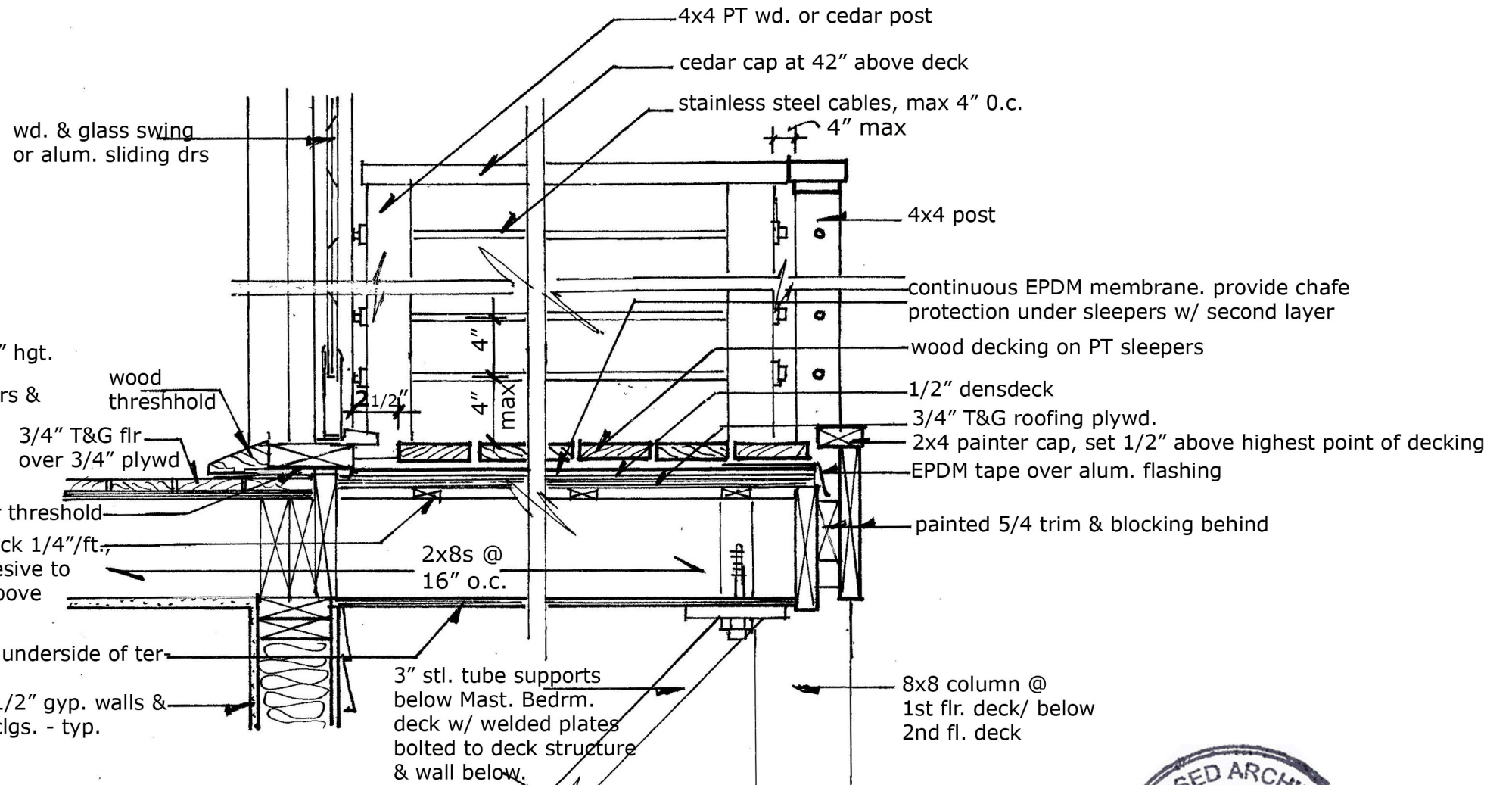
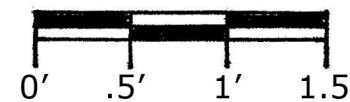
wrap EPDM under threshold  
 shims to slope deck 1/4"/ft.,  
 construction adhesive to  
 plywd. decking above

T-111 plywood at underside of ter-  
 races  
 1/2" gyp. walls &  
 clgs. - typ.

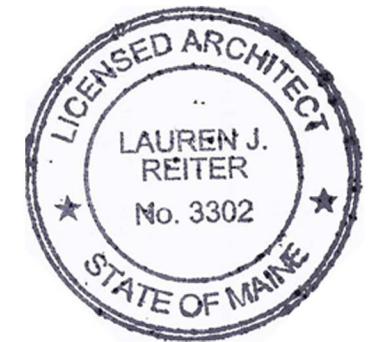
wd. & glass swing  
 or alum. sliding drs

wood  
 threshold  
 3/4" T&G flr.  
 over 3/4" plywd.

**3 Section at Decks**  
 1" = 1'-0"



**NOTE:** Contractor to provide structural engineer's calculations for diagonal steel supports under Mast Bedrm deck, or alternate design as req'd.



Proposed Renovations  
 @ 34 Howard St.,  
 Portland, ME  
 August 27, 2014

Reiter Architecture & Design  
 PO Box 275 Brooklin, ME 04616  
 207-359.2300/laurenjreiter@yahoo.com

**STAIR & MISC. DETAILS**  
**A7**