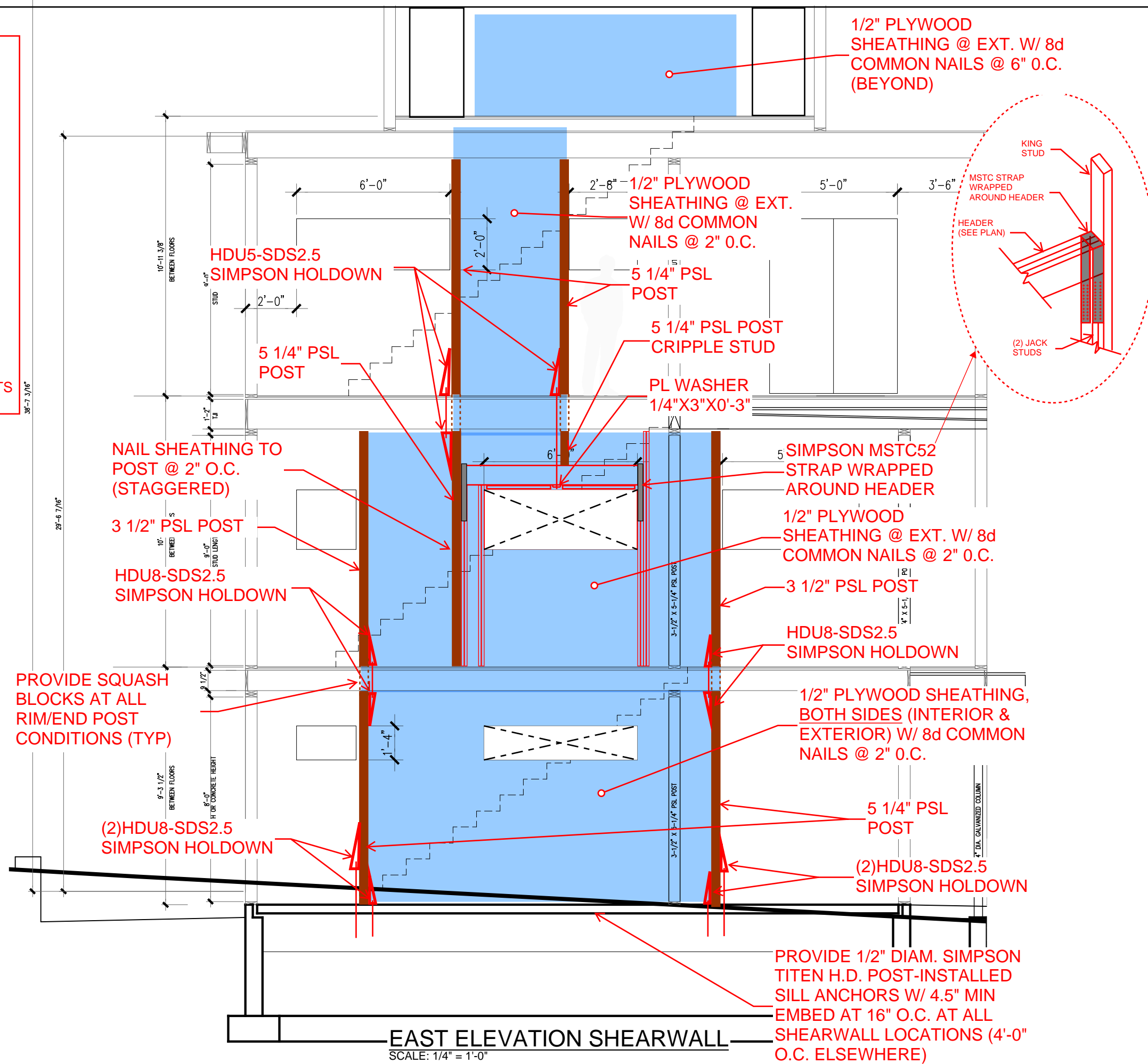
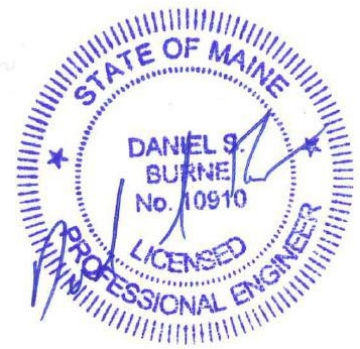
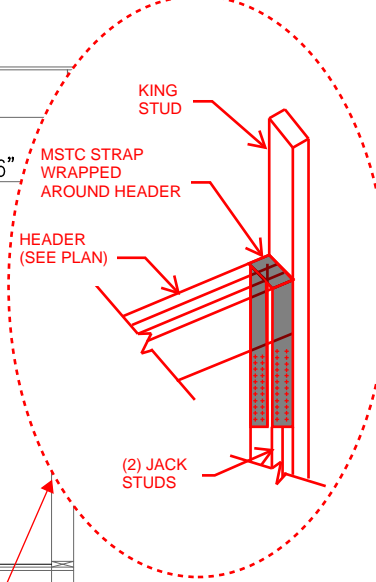


NOTES:

- 1) AT ALL SHEAR WALLS: BLOCKING MUST BE PROVIDED AT EDGE NAILING.
- 2) AT SHEAR WALL LOCATIONS THAT REQUIRE 2" O.C. NAILING BLOCKING MUST BE ON THE FLAT AND NAILS MUST BE STAGGERED
- 3) FIELD NAILING AT 12"X16" PATTERN (U.N.O.)
- 4) H.D. GALV HOLDOWN ANCHORS ARE TO BE CAST-IN TO CONCRETE.
- 5) NAILS ARE TO BE 8d COMMON NAILS(U.N.O.)
- 6) PROVIDE SQUASH BLOCKS AT ALL RIM/END POST CONDITIONS
- 7) FOR HOLDOWN ANCHOR ROD REQUIREMENTS REFER TO HOLDOWN SCHEDULE ON SHEET S2.2.
- 8) AT LOCATIONS WHERE (2) HOLDOWNS ARE REQUIRED, HOLDOWNS MUST BE STAGGERED PER SIMPSON REQUIREMENTS



1/2" PLYWOOD SHEATHING @ EXT. W/ 8d COMMON NAILS @ 6" O.C. (BEYOND)



HOWARD ST. RESIDENCE
PORTLAND, ME

EAST ELEVATION SHEARWALLS

DATE: 07/11/2017

SHEET: S2.3

EAST ELEVATION SHEARWALL
SCALE: 1/4" = 1'-0"

PROVIDE 1/2" DIAM. SIMPSON TITEN H.D. POST-INSTALLED SILL ANCHORS W/ 4.5" MIN EMBED AT 16" O.C. AT ALL SHEARWALL LOCATIONS (4'-0" O.C. ELSEWHERE)