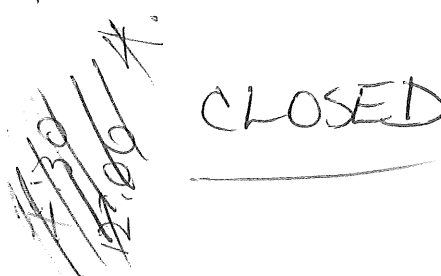
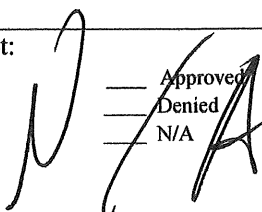

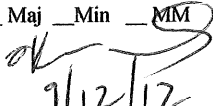



City of Portland, Maine - Building or Use Permit Application

389 Congress Street, 04101 Tel: (207) 874-8703, FAX: (207) 8716

Job No: 2012-09-4938-HVAC	Date Applied: 9/11/2012	CBL: 014- E-009-001	
Location of Construction: 46 HOWARD ST	Owner Name: RACHELLE F CURRAN	Owner Address: 46 HOWARD ST PORTLAND, ME 04101	Phone:
Business Name:	Contractor Name: Revision Heat - Brent Ad		Phone: (207) 221-5677
Lessee/Buyer's Name:	Phone:		Zone: R-6
Past Use: Two Family Dwelling	Proposed Use: Same: Two Family Dwelling - to install Prestige Solo 110 heating system	\$4,000.00	CEO District:
		Fire Dept: <input type="checkbox"/> Approved <input checked="" type="checkbox"/> Denied <input type="checkbox"/> N/A Signature: 	Inspection: Use Group: R-3 Type: HVAC Signature: 
Proposed Project Description: Install a prestige Solo Boiler		Pedestrian Activities District (P.A.D.)	
Permit Taken By: Lannie		Zoning Approval	

1. This permit application does not preclude the Applicant(s) from meeting applicable State and Federal Rules. 2. Building Permits do not include plumbing, septic or electrical work. 3. Building permits are void if work is not started within six (6) months of the date of issuance. False informatin may invalidate a building permit and stop all work.	Special Zone or Reviews <input type="checkbox"/> Shoreland <input type="checkbox"/> Wetlands <input type="checkbox"/> Flood Zone <input type="checkbox"/> Subdivision <input type="checkbox"/> Site Plan <input type="checkbox"/> Maj <input type="checkbox"/> Min <input type="checkbox"/> MM Date: 	Zoning Appeal <input type="checkbox"/> Variance <input type="checkbox"/> Miscellaneous <input type="checkbox"/> Conditional Use <input type="checkbox"/> Interpretation <input type="checkbox"/> Approved <input type="checkbox"/> Denied Date:	Historic Preservation <input checked="" type="checkbox"/> Not in Dist or Landmark <input type="checkbox"/> Does not Require Review <input type="checkbox"/> Requires Review <input type="checkbox"/> Approved <input type="checkbox"/> Approved w/Conditions <input type="checkbox"/> Denied Date: 
	CERTIFICATION		

I hereby certify that I am the owner of record of the named property, or that the proposed work is authorized by the owner of record and that I have been authorized by the owner to make this application as his authorized agent and I agree to conform to all applicable laws of this jurisdiction. In addition, if a permit for work described in the appication is issued, I certify that the code official's authorized representative shall have the authority to enter all areas covered by such permit at any reasonable hour to enforce the provision of the code(s) applicable to such permit.

SIGNATURE OF APPLICANT	ADDRESS	DATE	PHONE
RESPONSIBLE PERSON IN CHARGE OF WORK, TITLE		DATE	PHONE

12-6-12 GF

GFI TR & RED SW PLATE CVR
CONDENSATE NEUT.

2-1-13 GF

FINAL - PASS

DISPLAY THIS CARD ON PRINCIPAL FRONTAGE OF WORK



CITY OF PORTLAND

BUILDING PERMIT

This is to certify that RACHELLE F CURRAN

Located At 46 HOWARD ST

Job ID: 2012-09-4938-HVAC

CBL: 014- E-009-001

has permission to Install a prestige Solo Boiler

provided that the person or persons, firm or corporation accepting this permit shall comply with all of the provisions of the Statues of Maine and of the Ordinances of the City of Portland regulating the construction, maintenance and use of the buildings and structures, and of the application on file in the department.

Notification of inspection and written permission procured before this building or part thereof is lathed or otherwise closed-in. 48 HOUR NOTICE IS REQUIRED.

A final inspection must be completed by owner before this building or part thereof is occupied. If a certificate of occupancy is required, it must be

A handwritten signature in black ink, appearing to be "RACHELLE F CURRAN", written over the signature line.

Fire Prevention Officer

Code Enforcement Officer / Plan Reviewer

THIS CARD MUST BE POSTED ON THE STREET SIDE OF THE PROPERTY
PENALTY FOR REMOVING THIS CARD

SCANNED

BUILDING PERMIT INSPECTION PROCEDURES

Please call 874-8703 or 874-8693 (ONLY)

or email: buildinginspections@portlandmaine.gov

With the issuance of this permit, the owner, builder or their designee is required to provide adequate notice to the city of Portland Inspections Services for the following inspections. Appointments must be requested 48 to 72 hours in advance of the required inspection. The inspection date will need to be confirmed by this office.

- **Please read the conditions of approval that is attached to this permit!! Contact this office if you have any questions.**
- **Permits expire in 6 months. If the project is not started or ceases for 6 months.**
- **If the inspection requirements are not followed as stated below additional fees may be incurred due to the issuance of a "Stop Work Order" and subsequent release to continue.**

The project cannot move to the next phase prior to the required inspection and approval to continue, REGARDLESS OF THE NOTICE OF CIRCUMSTANCES.

IF THE PERMIT REQUIRES A CERTIFICATE OF OCCUPANCY, IT MUST BE PAID FOR AND ISSUED TO THE OWNER OR DESIGNEE BEFORE THE SPACE MAY BE OCCUPIED.



PORTLAND MAINE

Strengthening a Remarkable City, Building a Community for Life • www.portlandmaine.gov

Director of Planning and Urban Development
Jeff Levine

Job ID: 2012-09-4938-HVAC

Located At: 46 HOWARD ST

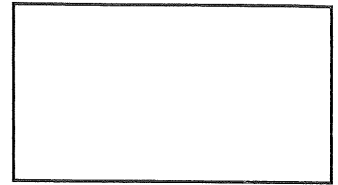
CBL: 014- E-009-001

Conditions of Approval:



FILL IN AND SIGN WITH INK

APPLICATION FOR PERMIT HEATING OR POWER EQUIPMENT



To the INSPECTOR OF BUILDINGS, PORTLAND, ME.

The undersigned hereby applies for a permit to install the following heating, cooking or power equipment in accordance with the Laws of Maine, the Building Code of the City of Portland, and the following specifications:

Location / CBL 46 Howard 14-E-9 Use of Building 2 Family Date _____

Name and address of owner of appliance Rachelle Curran & Colin Apse

46 Howard Street, Portland, ME

Installer's name and address Revision Heat 1053 Forest Ave

Telephone 207-221-5677

Location of appliance:

Basement Floor

Attic Roof

Type of Fuel:

Gas Oil Solid

Appliance Name: Prestige Solo 110

U.L. Approved Yes No

Will appliance be installed in accordance with the manufacture's installation instructions? Yes No

IF NO Explain: _____

The Type of License of Installer:

Master Plumber # _____

Solid Fuel # _____

Oil # _____

Gas # PNT 8867

Other _____

Type of Chimney:

Masonry Lined

Factory built _____

Metal

Factory Built U.L. Listing # _____

Direct Vent

Type ~~Heat~~ 4C UL# ~~1234~~

Sidewall Termination Kit

Type of Fuel Tank

Oil

Gas

Size of Tank _____

Number of Tanks _____

Distance from Tank to Center of Flame _____ feet.

Cost of Work: \$ 4000.00

Permit Fee: \$ 60.00

PSVKIT01

RECEIVED

SEP 11 2012

Dept. of Building Inspections
City of Portland Maine

Approved _____

Approved with Conditions

See attached letter or requirement

Fire: _____

Ele.: _____

Bldg.: _____

Inspector's Signature _____ Date Approved _____

Signature of Installer [Signature] Brent Adler

White - Inspection Yellow - File Pink - Applicant's Gold - Assessor's Copy

prestige

Solo 110

Water Boiler



* INSTALLATION AND MAINTENANCE * M A N U A L

NOTICE

Warranty Registration Card must be filled out by the customer and mailed within thirty (30) days of installation in order to gain warranty coverage.

When receiving the PRESTIGE Solo unit, any claims for damage or shortage in shipment must be filed immediately against the transportation company by the consignee.

Leave all documentation received with appliance with owner for future reference.

⚠ WARNING

If the information in this manual is not followed exactly, a fire or explosion may result causing property damage, personal injury or death.

FOR YOUR SAFETY

- Do not store or use gasoline or other flammable vapors and liquids in the vicinity of this or any other appliance.
- WHAT TO DO IF YOU SMELL GAS
 - Do not try to light any appliance
 - Do not touch any electrical switch; do not use any phone in your building.
 - Immediately call your gas supplier from a neighbor's phone. Follow the gas supplier's instructions.
 - If you cannot reach your gas supplier, call the fire department.

Installation and service must be performed by a qualified installer, service agency or the gas supplier.

Product Specifications



Boiler Model	Fuel	DOE Heating Capacity Note 1 & 4	Input Note 4	Net IBR Rating Note 2	DOE Seasonal Efficiency AFUE Note 3	Shipping Weight Lbs/Kg
SOLO 110	Natural	99,000	110,000	86,000	96%	106/48
SOLO 110	Propane	87,000	97,000	76,000	96%	106/48

Note 1: The heating capacity of the PRESTIGE Solo 110 is based on the test requirements of the U.S. Department of Energy.

Note 2: The IBR rating is based on a piping and pick up allowance of 1.15. This allowance should be sufficient for the standard radiation requirements for a building load.

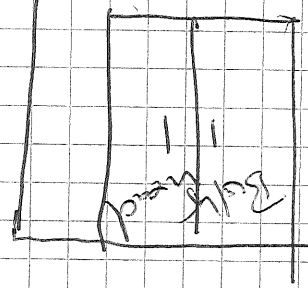
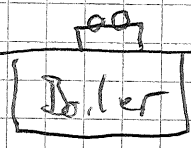
Note 3: Based on the given AFUE the PRESTIGE Solo 110 meets the energy efficiency guidelines established by Energy Star.

Note 4: Input and output ratings are shown for sea level applications. The PRESTIGE Solo automatically derates the input at approximately 2% for every 1,000 Ft. of altitude. No alterations to the boiler or burner system is required.

DOE



Driveway



416 Hours of

Prestige Gas Vent Stainless Sidewall Termination Kit



Kit Part Number:

PSVKIT01

3 Inch Vent Sidewall Termination

PSVKIT02

4 Inch Vent Sidewall Termination

Recommended tools:

- Phillips Screwdriver
- Core Drill or Hole Saw

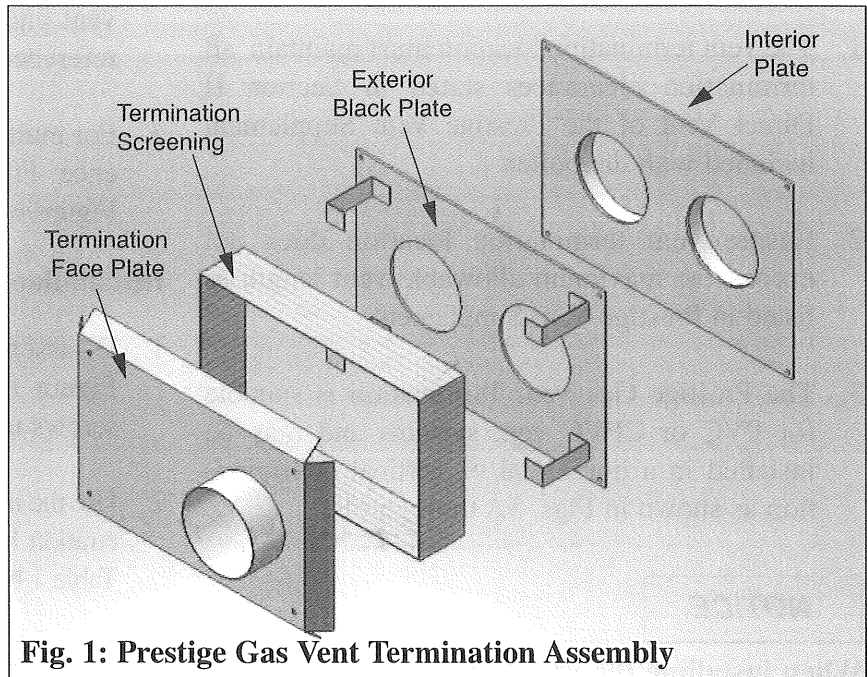


Fig. 1: Prestige Gas Vent Termination Assembly

! WARNING

Indicates a potentially hazardous situation which, if ignored, can result in serious injury or substantial property damage.

NOTICE

Indicates special instructions on installation, operation or maintenance, which are important to equipment but not related to personal injury hazards.

! WARNING

Failure to follow instructions below can result in severe personal injury or damage if ignored.

- Instructions are for a qualified installer/service technician.
- Read all instructions before proceeding.
- Follow instructions in proper order.

Prestige Gas Vent Stainless Sidewall Termination Kit

Pre-Installation Guidelines

1. The vent termination location must maintain all termination clearances stated in Section II Direct Vent of the Prestige Vent Supplement included with the boiler.
2. Ensure vent termination location does not exceed the maximum allowable vent length as listed in Prestige Vent Supplement.
3. The Prestige Gas Vent Termination is suitable for PVC or CPVC vent systems and may be installed in a horizontal or vertical configuration as shown in Figs. 5A through 6B.

NOTICE

When installing the vent termination in a vertical configuration, ensure the vent piping is located above the air inlet piping. This will reduce the risk of flue gas products recirculating into the air inlet.

NOTICE

For installations in Canada, all piping, fittings and cement/primer material must comply with CSA or ULC certification.

NOTICE

Do not use cellular core piping for the venting system.



WARNING

DO NOT mix vent components from different vent systems. Use only PVC or CPVC pipe and fittings. Seal all pipe and fittings with appropriate primer and cement. Failure to comply with these requirements could cause venting system failure resulting in leakage of flue products into the living space.

4. All vent piping and assembly / gluing of the vent piping should comply with the guidelines referenced in the Prestige Vent Supplement.
5. For multiple vent termination installation, reference Figure 5 for vertical installations and Figure 6 for horizontal installations.

Installation of the Vent Termination

1. Disassemble the termination plates as shown in Figure 1. Do not discard any of the mounting screws used in securing the assembly.
2. Use the interior plate as a template to locate the penetration holes through the outside wall. Reference Table 1 below for the proper hole diameter.
3. Use a core drill or hole saw to cut the penetration holes through the outside wall.

Table 1

Pipe Size	Vent Pipe Hole Size	Air Pipe Hole Size
3" PVC	4"	3.5"
4" PVC	5"	4.5"

NOTICE

The above table listing the require hole size for the vent and air pipe includes the require clearances to combustibles. The termination kit does not require a wall thimble, so these clearances to combustible must be maintained.

NOTICE

The 4" termination, PSVKIT02 is supplied with two interior plates with different hole sizes 5" and 4.5". The interior plate with the 5" diameter holes accommodates 4" 90 degree elbow fittings typically required when installing the termination directly above the Solo 399 boiler. The interior plate with the 4.5" diameter holes accommodates 4" PVC or CPVC pipe and is required when installing the termination away from the boiler.

Prestige Gas Vent Stainless Sidewall Termination Kit

- When using the 4" termination, PSVKIT02 select the appropriate interior plate for sealing 4" PVC or CPVC pipe or 4" 90 degree elbow fittings. When the proper plate has been selected, attach two support bands to plate by bending tabs in center of holes around support bands.
- Fasten the interior plate to the interior face of the building wall using the pre-drilled mounting holes and the #10 x 3/4" mounting screws.
- Install the air intake piping and the vent piping through the penetration holes. Ensure the air intake piping extends beyond the exterior face of the wall 1" and the vent piping extends 2" beyond the exterior face of the wall. Tighten the support bands on the interior plate to support the piping. See Figure 2 and Figure 3.
- Mount the exterior back plate over the protruding vent and air intake piping. Use the supplied #10 x 1" mounting screws to secure the plate to the exterior face of the building as shown in Figure 3.
- Apply a bead of high temp silicone (RTV) around the vent and air intake piping where it penetrates through the exterior back plate as shown in Figure 3.
- Apply a generous bead of high temperature silicone (RTV) along the outside circumference of the vent pipe as shown in Figure 3.
- Install the termination screening onto the exterior back plate as shown in Figure 4. Using a slight twisting motion install the termination faceplate with the vent pipe inserted into the vent coupling.
- Using the mounting screws removed in STEP 1, secure the termination faceplate to the exterior back plate.

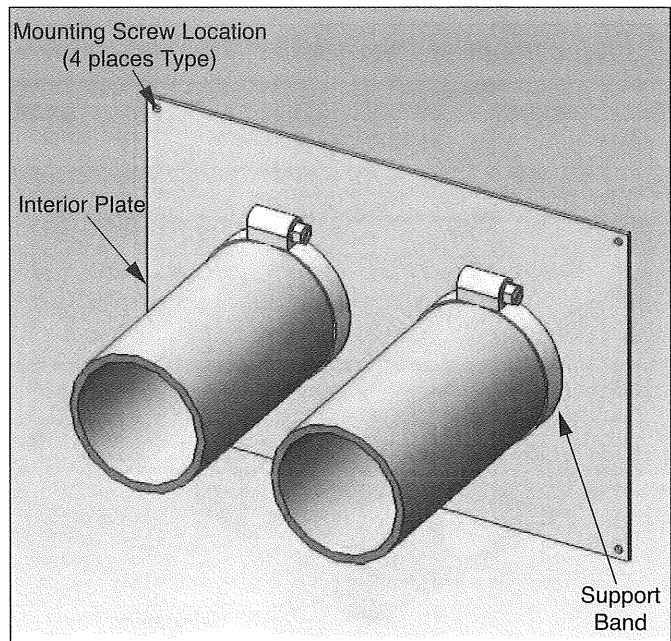


Fig. 2: Mounting of Interior Plate

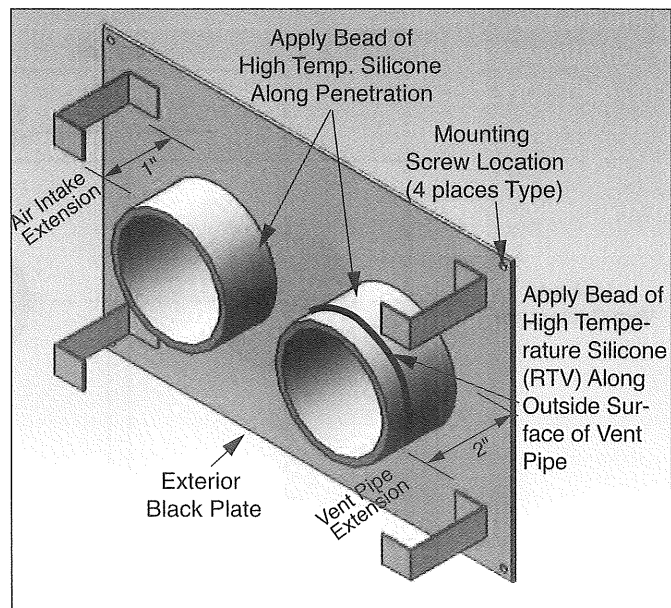


Fig. 3: Mounting of Exterior Back Plate

Prestige Gas Vent Stainless Sidewall Termination Kit

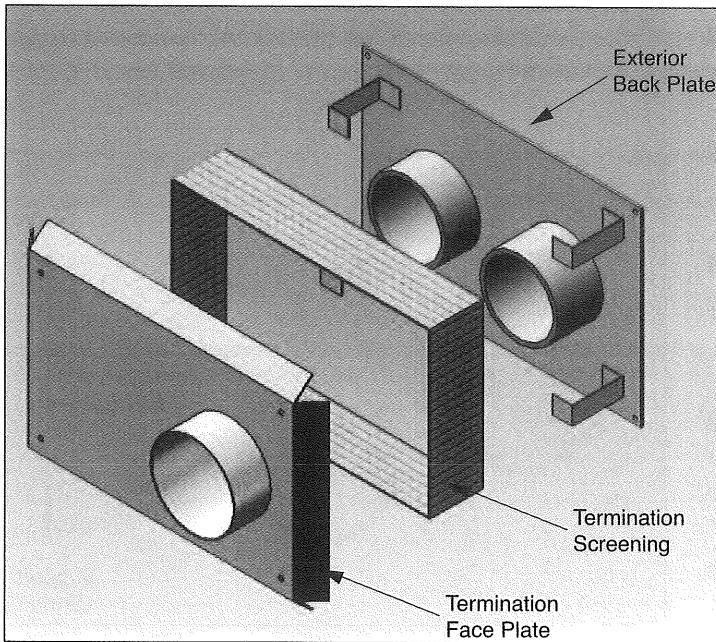


Fig. 4: Exterior Assembly of Termination

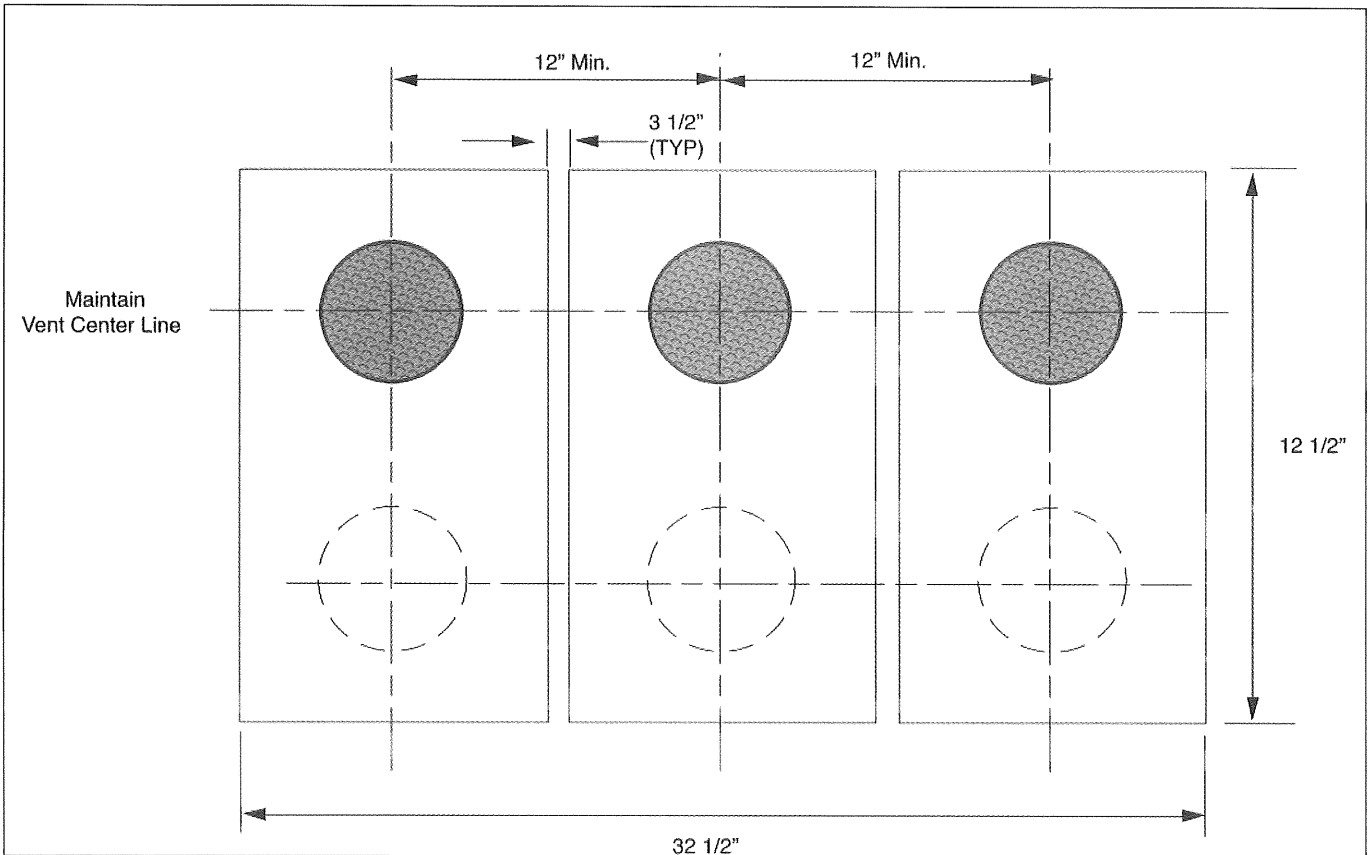


Fig. 5A: Multiple Vertical Vent Installation 3 Inch Vent System

Prestige Gas Vent Stainless Sidewall Termination Kit

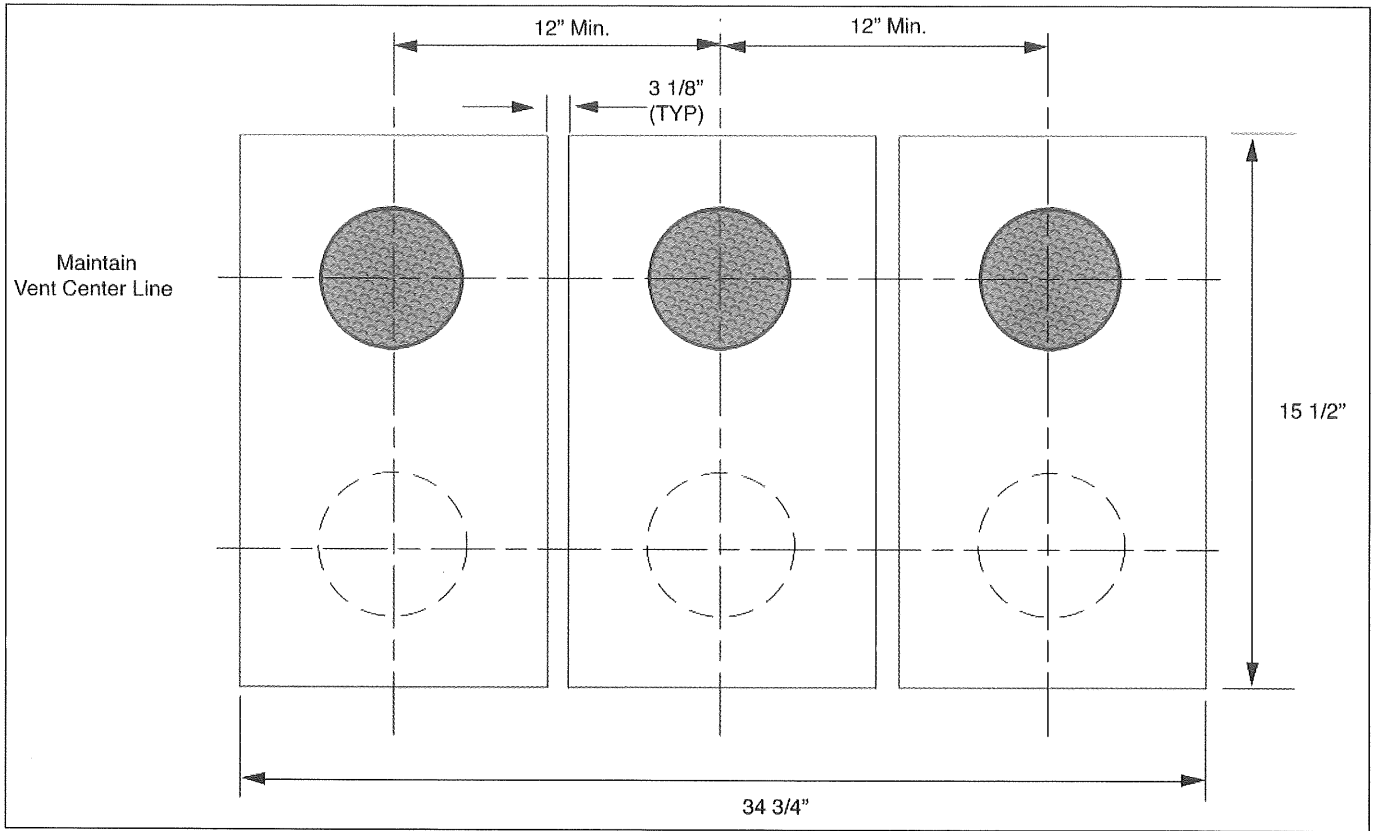


Fig. 5B: Multiple Vertical Vent Installation 4 Inch Venting System

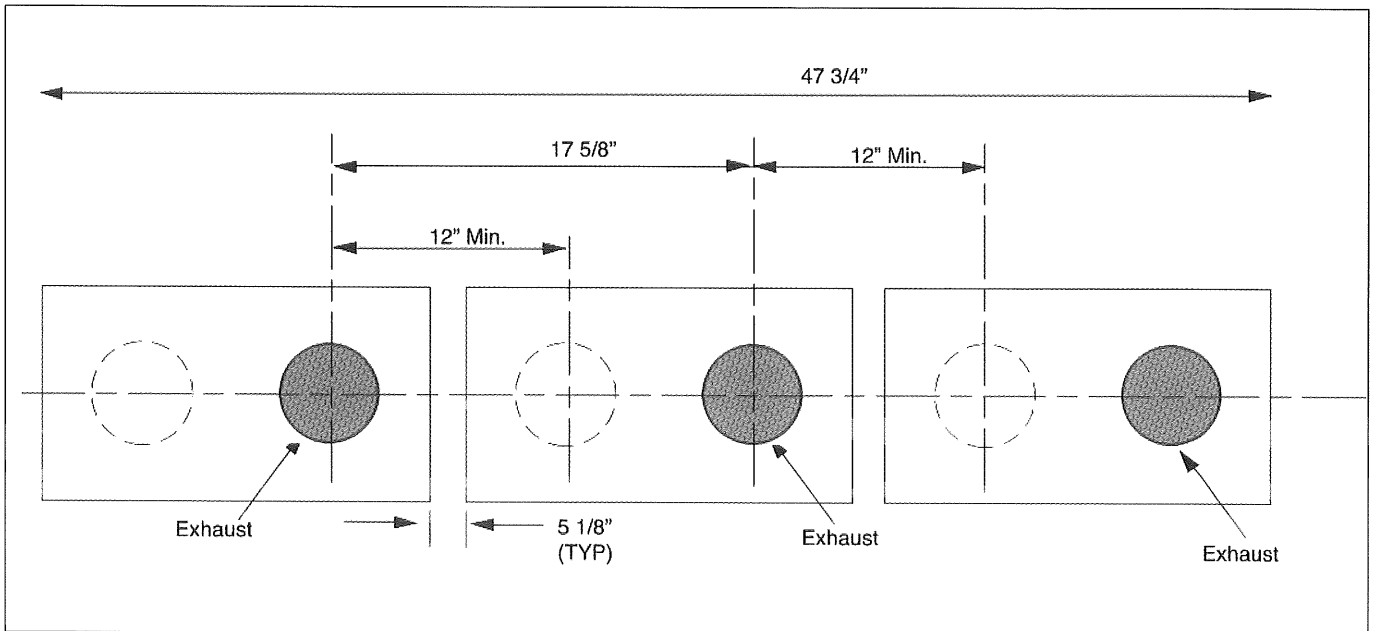


Fig. 6A: Multiple Horizontal Vent Installation 3 Inch Venting System

Prestige Gas Vent Stainless Sidewall Termination Kit

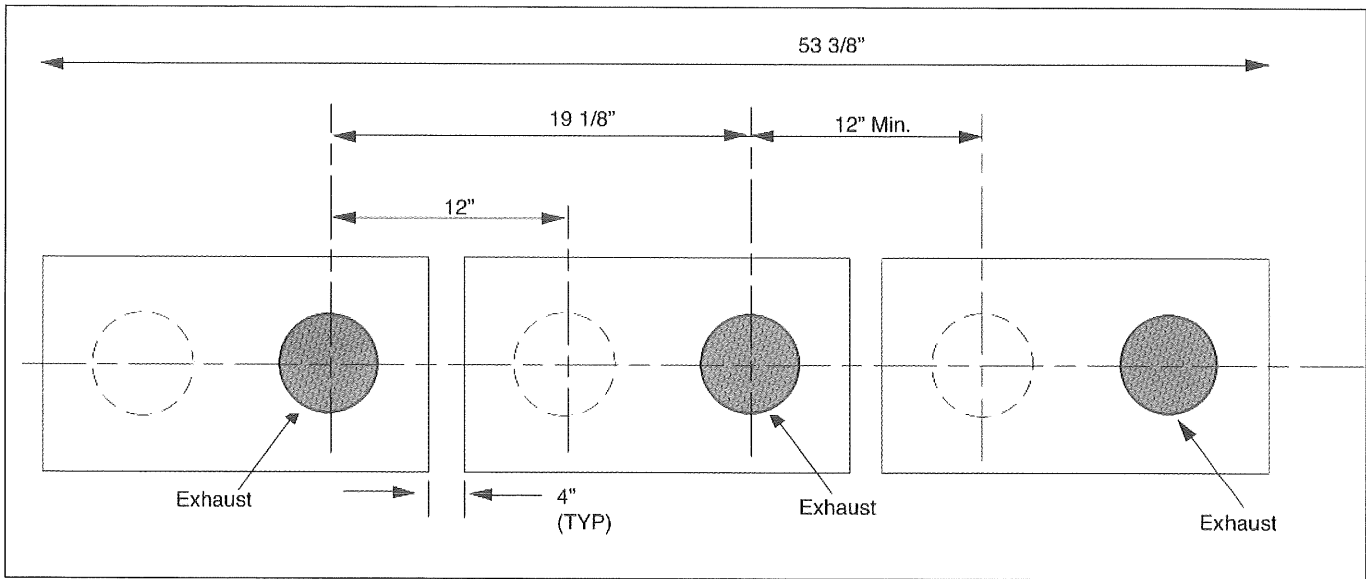


Fig. 6B: Multiple Vertical Vent Installation 4 Inch Venting System

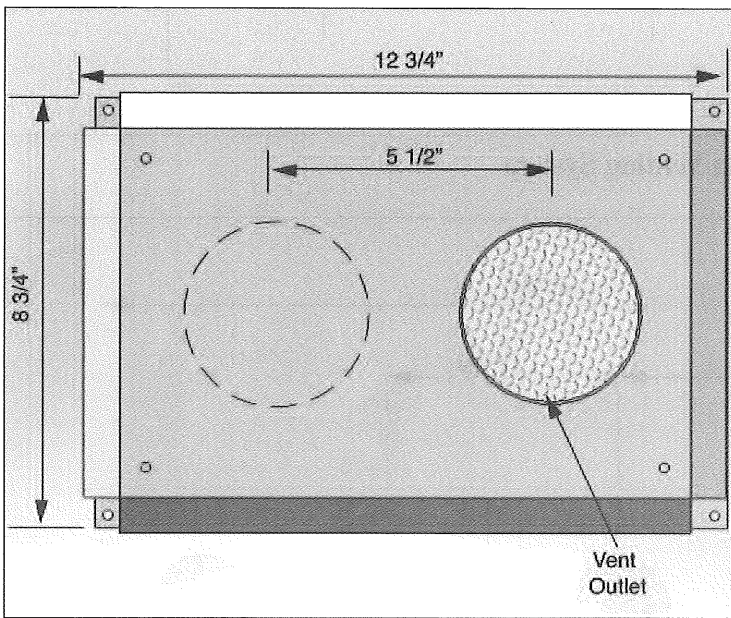


Fig. 7A: 3 Inch Vent Termination Dimensions

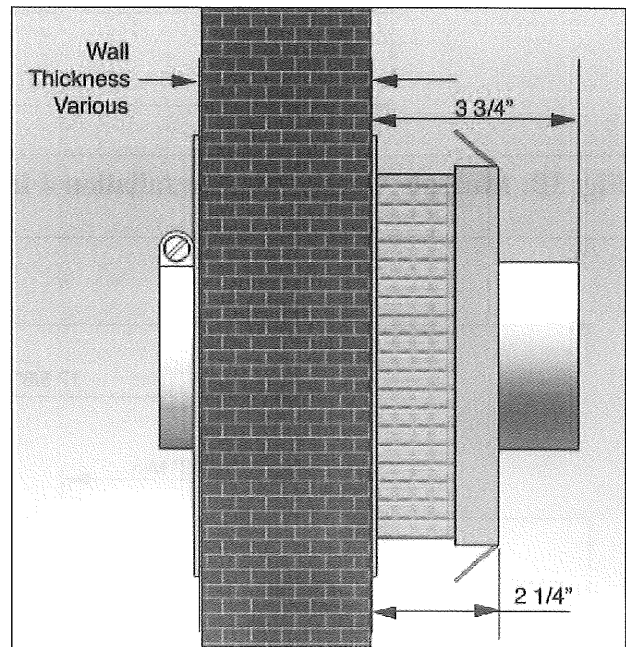


Fig. 7B: 3 Inch Vent Termination Dimensions

Prestige Gas Vent Stainless Sidewall Termination Kit

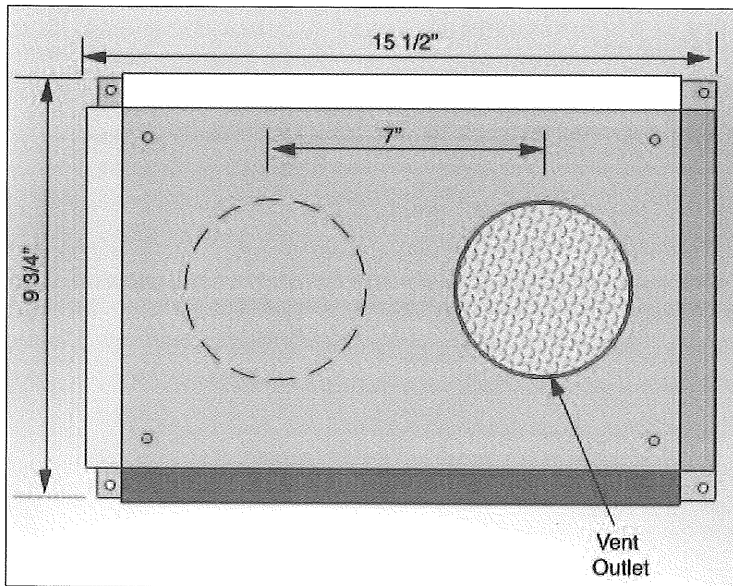


Fig. 8A: 4 Inch Vent Termination Dimensions

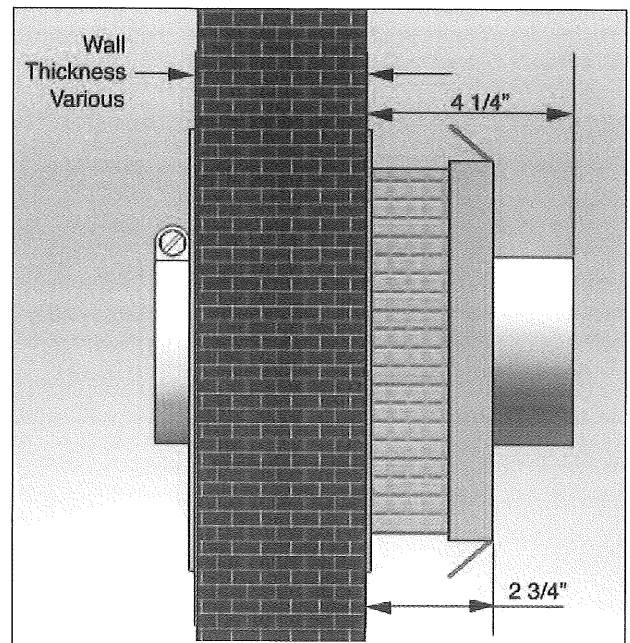


Fig. 8B: 4 Inch Vent Termination Dimensions