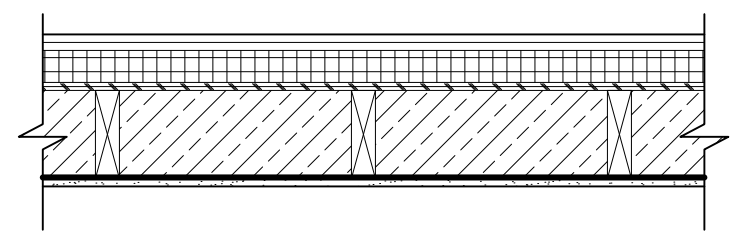
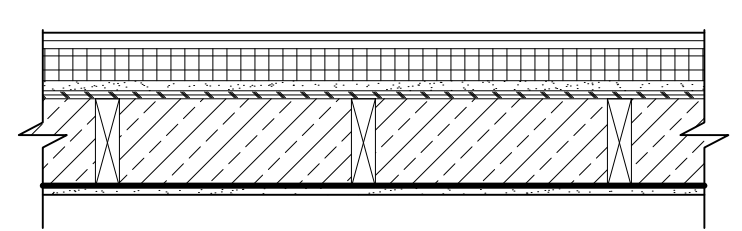
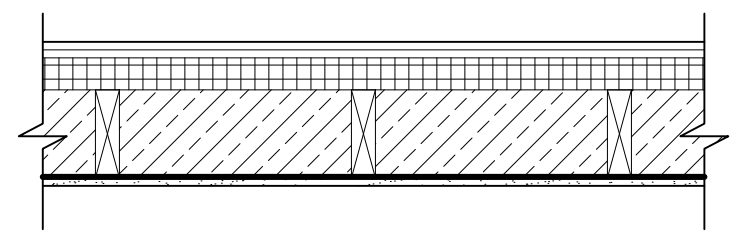


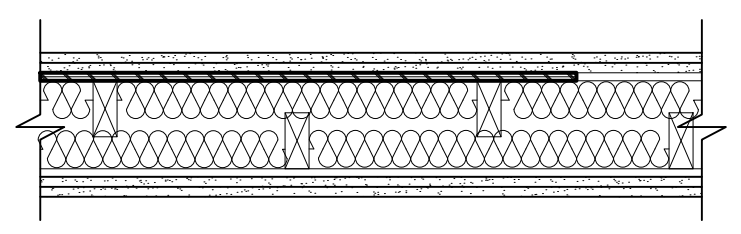
WALL ASSEMBLY TYPES

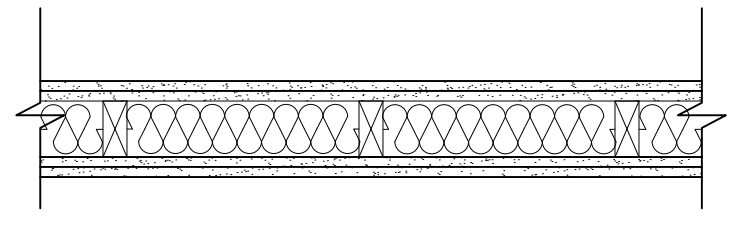
GRAPHIC DESCRIPTION		DESCRIPTION				
		<ul style="list-style-type: none"> LP SMART SIDING - SMOOTH FINISH - CLAPBOARD COMMERCIAL AIR/VAPOR BARRIER HUNTER PANEL XCI NB 1/2" PLYWOOD SHEATHING. REFER TO STRUCTURAL DWGS FOR FASTENING SIZE, SPACING, AND BLOCKING REQUIREMENTS. 2X6 WOOD STUDS W/ BLOWN CELLULOSE INSULATION FULL CAVITY 6 MIL POLY VAPOR BARRIER 5/8" TYPE X GYPSUM BOARD <p>(SEE X/A3.3 FOR EXTERIOR TOP OFF WALL DETAIL)</p>				
		TYPE		FIRE RATING		UL NUMBER
E1		1-HR (FROM INTERIOR)		U354	N/A	33.70

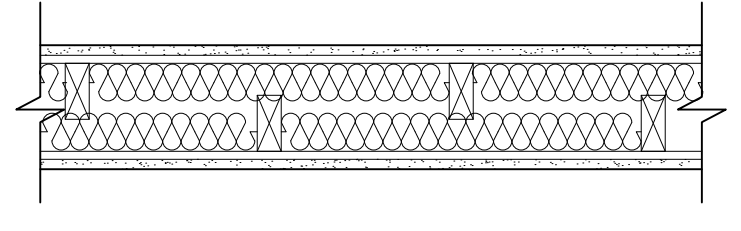
GRAPHIC DESCRIPTION		DESCRIPTION				
		<ul style="list-style-type: none"> LP SMART SIDING - SMOOTH FINISH - CLAPBOARD COMMERCIAL AIR/VAPOR BARRIER HUNTER PANEL XCI NB 5/8" TYPE X DENSGLASS SHEATHING. REFER TO STRUCTURAL DWGS FOR FASTENING SIZE, SPACING, AND BLOCKING REQUIREMENTS. 2X6 WOOD STUDS W/ BLOWN CELLULOSE INSULATION FULL CAVITY 6 MIL POLY VAPOR BARRIER 5/8" TYPE X GYPSUM BOARD <p>(SEE X/A3.3 FOR EXTERIOR TOP OFF WALL DETAIL)</p>				
		TYPE		FIRE RATING		UL NUMBER
E2		1-HR (FROM INT + EXT)		U364	N/A	33.63

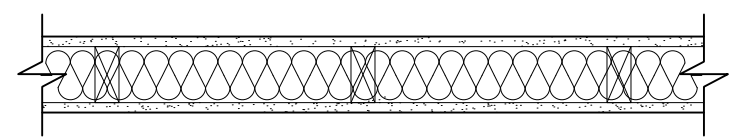
GRAPHIC DESCRIPTION		DESCRIPTION				
		<ul style="list-style-type: none"> LP SMART SIDING - SMOOTH FINISH - CLAPBOARD COMMERCIAL AIR/VAPOR BARRIER HUNTER PANEL XCI NB 2X6 WOOD STUDS W/ BLOWN CELLULOSE INSULATION FULL CAVITY 6 MIL POLY VAPOR BARRIER 5/8" TYPE X GYPSUM BOARD <p>(SEE X/A3.3 FOR EXTERIOR TOP OFF WALL DETAIL)</p>				
		TYPE		FIRE RATING		UL NUMBER
E3		1-HR (FROM INTERIOR)		SIM U354	N/A	33.70

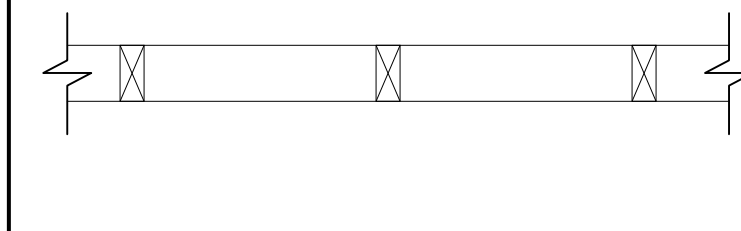
WALL ASSEMBLY TYPES

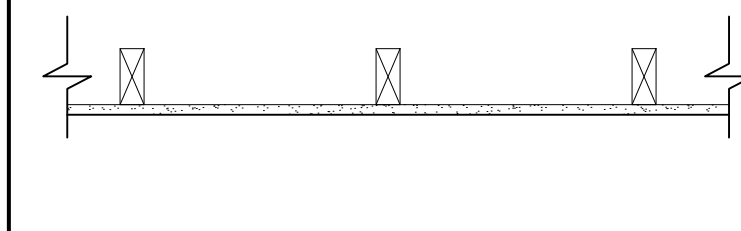
GRAPHIC DESCRIPTION		DESCRIPTION				
		<p>STAIR SEPARATION ASSEMBLY</p> <ul style="list-style-type: none"> (2) LAYER 5/8" TYPE X GWB SEALED TO UNDERSIDE OF DECK. 1/2" RESILIENT CHANNELS @ 16" O.C. HORIZONTALLY - SEE NOTE 2X6 WOOD TOP AND BOTTOM PLATES TO UNDERSIDE OF DECK. REFER TO STRUCTURAL DWGS FOR STUD SIZE, SPACING, AND ALIGNMENT REQUIREMENTS. (2X4 STAGGERED @ 12" C/C U.N.O.) CONTINUOUS SOUND ATTENUATION BATTS. 1/2" RESILIENT CHANNELS @ 16" O.C. HORIZONTALLY (2) LAYER 5/8" TYPE X GWB SEALED TO UNDERSIDE OF DECK. <p>WHEREVER STRUCTURAL LEDGERS ARE NEEDED - PLACE IN 1/2 PLYWOOD BLOCKING IN LIEU OF CHANNEL</p>				
		TYPE		FIRE RATING		UL NUMBER
W1		2-HR		SIM U301	54	N/A

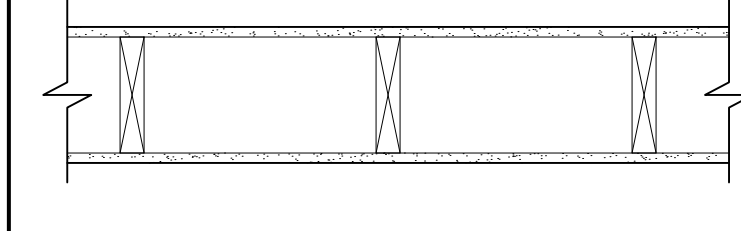
GRAPHIC DESCRIPTION		DESCRIPTION				
		<ul style="list-style-type: none"> (2) LAYER 5/8" TYPE X GWB SEALED TO UNDERSIDE OF DECK. 2X6 WOOD TOP AND BOTTOM PLATES TO UNDERSIDE OF DECK. REFER TO STRUCTURAL DWGS FOR STUD SIZE, SPACING, AND ALIGNMENT REQUIREMENTS. (2X4 STAGGERED @ 12" C/C U.N.O.) CONTINUOUS SOUND ATTENUATION BATTS. (2) LAYER 5/8" TYPE X GWB SEALED TO UNDERSIDE OF DECK 				
		TYPE		FIRE RATING		UL NUMBER
W2		2-HR		U301	NA	NA

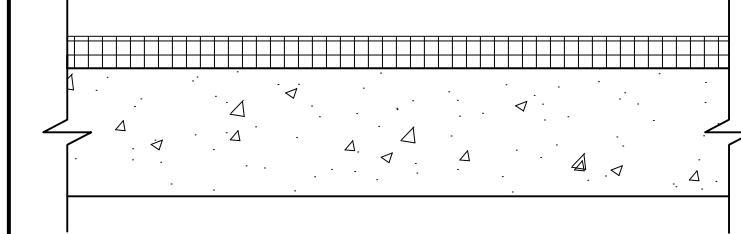
GRAPHIC DESCRIPTION		DESCRIPTION				
		<p>UNIT SEPARATION ASSEMBLY</p> <ul style="list-style-type: none"> (1) LAYER 5/8" TYPE X GWB SEALED TO UNDERSIDE OF DECK. 1/2" RESILIENT CHANNELS @ 16" O.C. HORIZONTALLY 2X6 WOOD TOP AND BOTTOM PLATES TO UNDERSIDE OF DECK. REFER TO STRUCTURAL DWGS FOR STUD SIZE, SPACING, AND ALIGNMENT REQUIREMENTS. (2X4 STAGGERED @ 12" C/C U.N.O.) CONTINUOUS SOUND ATTENUATION BATTS. 1/2" RESILIENT CHANNELS @ 16" O.C. HORIZONTALLY (1) LAYER 5/8" TYPE X GWB SEALED TO UNDERSIDE OF DECK. (3/A3.3) <p>PROVIDE 2X FIRE BLOCKING AT CEILING LEVEL OR ALTERNATIVE METHOD APPROVED BY IBC 2009.</p>				
		TYPE		FIRE RATING		UL NUMBER
W3		1-HR		U340	54	N/A

GRAPHIC DESCRIPTION		DESCRIPTION				
		<ul style="list-style-type: none"> 5/8" GYPSUM BOARD 2X4 OR 2X6 WOOD STUDS @ 16" O.C. - SEE PLAN 5/8" GYPSUM BOARD <p>NOTE: PROVIDE MOISTURE RESISTANT GWB AT BATHROOMS AND KITCHENS.</p>				
		TYPE		FIRE RATING		UL NUMBER
W4		N/A		N/A	N/A	N/A

GRAPHIC DESCRIPTION		STORAGE PARTITION WALL				
		<ul style="list-style-type: none"> WELDED WIRE FENCING 2X4 WOOD STUDS @ 16" O.C. WELDED WIRE FENCING 				
		TYPE		FIRE RATING		UL NUMBER
W5		N/A		N/A	N/A	N/A

GRAPHIC DESCRIPTION		CHASE WALL				
		<ul style="list-style-type: none"> 2X4 WOOD STUDS @ 16" O.C. 5/8" GYPSUM BOARD MOISTURE RESISTANT GYP IN BATHS & WET AREAS 				
		TYPE		FIRE RATING		UL NUMBER
W6		N/A		N/A	N/A	N/A

GRAPHIC DESCRIPTION		PLUMBING WALL				
		<ul style="list-style-type: none"> 5/8" GYPSUM BOARD 2X8 WOOD STUDS @ 16" O.C. 5/8" GYPSUM BOARD 				
		TYPE		FIRE RATING		UL NUMBER
W7		N/A		N/A	N/A	N/A

GRAPHIC DESCRIPTION		DESCRIPTION				
		<ul style="list-style-type: none"> 2" THERMAX SHEATHING (R-13) 8" CONC WALL 				
		TYPE		FIRE RATING		UL NUMBER
W8		N/A		N/A	N/A	14.32