

WINDOW SCHEDULE				
TYPE	SIZE (ROUGH OPENING)	MATERIAL	OPERATION	NOTES
A	11'-10 3/4" X 6'-9 3/4"	-	SLIDING	1,2,4
B	2'-4" X 4'-0"	-	AWNING	1,2,4
C	2'-4" X 4'-0"	-	FIXED	1,2,4
D	4'-8" X 4'-0"	-	CASEMENT	1,3,2,4

WINDOW SCHEDULE NOTES:

- SAFETY GLAZING MAY BE REQUIRED FOR WINDOWS NEAR A SLIDING DOOR
- ALL WINDOWS TO HAVE A MAXIMUM U-FACTOR OF 0.35
- WINDOWS LABELED "EGRESS WINDOW" IN PLAN MUST COMPLY WITH: MIN AREA: 5.7SF
MIN HEIGHT: 24"
MIN WIDTH: 20"
- WINDOWS TP BE THERMALLY BROKEN

WINDOW SPECIFICATIONS:

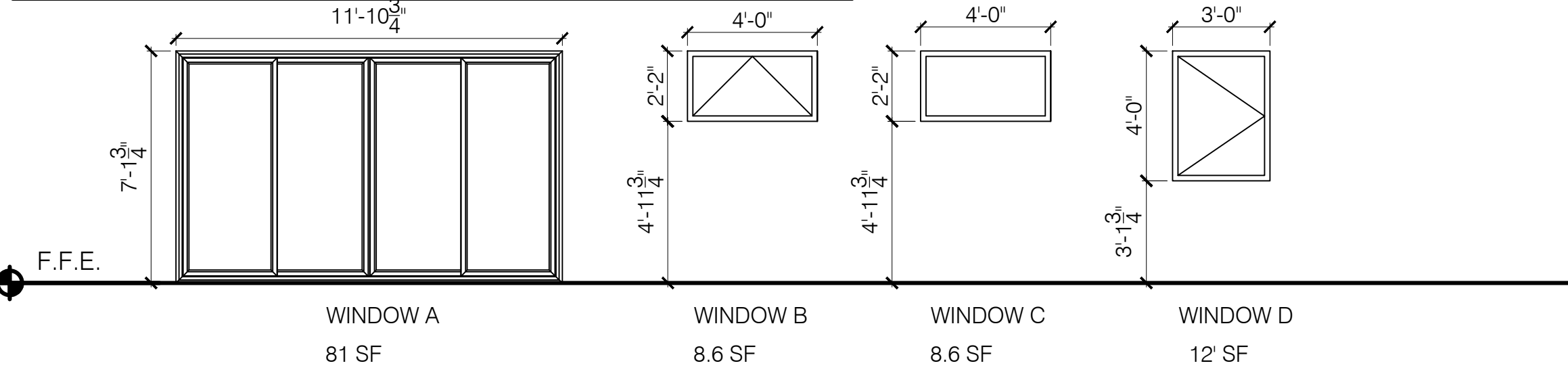
- Size and window configuration. See Window Schedule
- Color options. To be selected Preferred
- Factory Mulling Capability. Preferred
- Design Pressure Rating 25
- U Factor 0.35 or lower
- Material To be selected
- Glazing Type To be selected
- Hardware type. To be selected
- Exterior Washing Capability Washing from interior preferred
- Warranty (Window & glazing units) 10 years
- Insect Screens Standard Insect Screens

GENERAL NOTES:

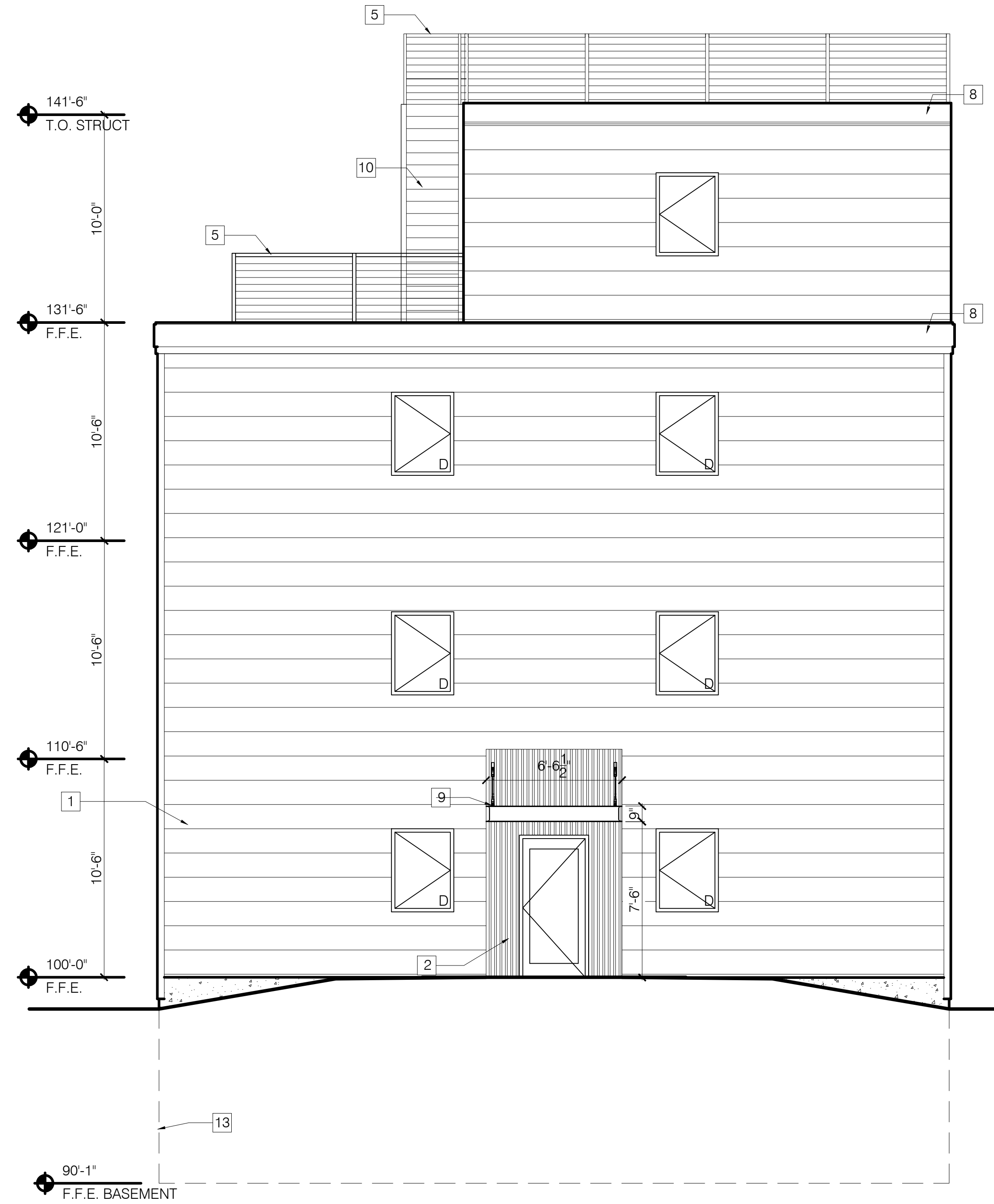
- GLAZING IN ALL DOORS IS REQUIRED TO BE SAFETY GLAZING
- FINAL FINISHES TO BE SELECTED BY OWNER.
-
-

KEYNOTES:

- STANDING METAL SEAM ROOFING AS SIDING
- CORRUGATED METAL SIDING
- FABRICATED METAL GUARD SYSTEM CONSTRUCTED OH HSS
- ROOF SCUPPER
- HANDRAIL W/ 42" HISS HSS GUARDRAIL W/ HORIZONTAL STEEL RODS @ 3 1/2" O.C.
- CONCRETE PLANTER
- BUILDING ADDRESS FORMED INTO CONCRETE
- GALVANIZED FINISHED BREAK METAL COPING
- FABRICATED METAL AWNING WITH METAL ROD SUPPORTS
- FABRICATED METAL STAIR W/ 36" 111-1/2" HSS RAILINGS AND HORZ STEEL RODS @ 3-1/2" O.C.
- BREAK METAL WINDOW TRIM DETAIL
- LINE OF ROOF BEYOND
- LINE REPRESENTS BASEMENT BELOW GRADE
- DOWNSPOUT



1 FRONT (EAST) ELEVATION
SCALE: 1/4" = 1'-0"



2 BACK (WEST) ELEVATION
SCALE: 1/4" = 1'-0"