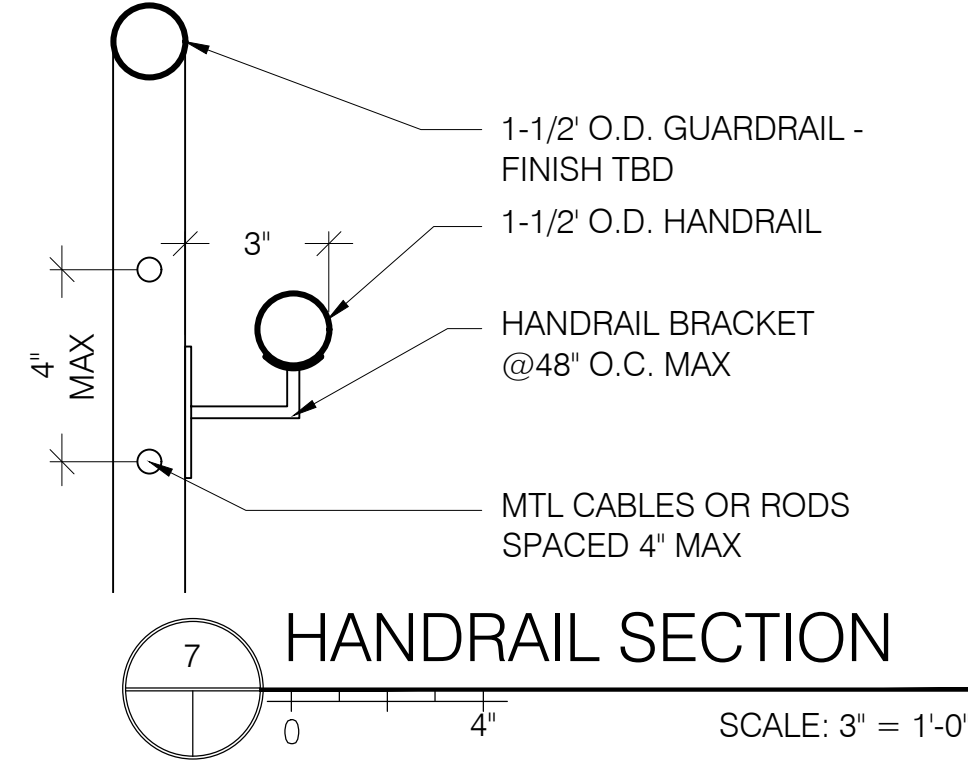
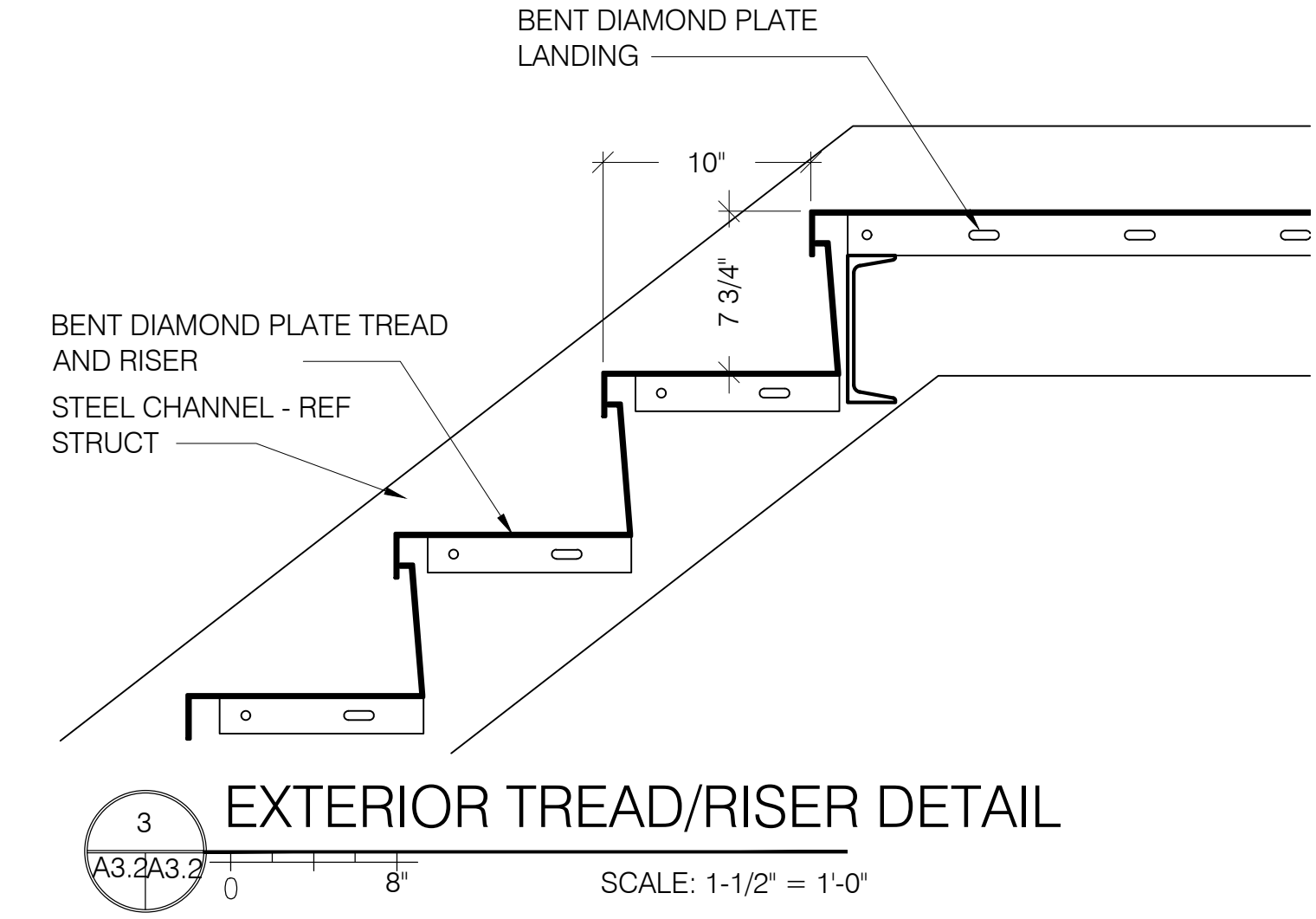


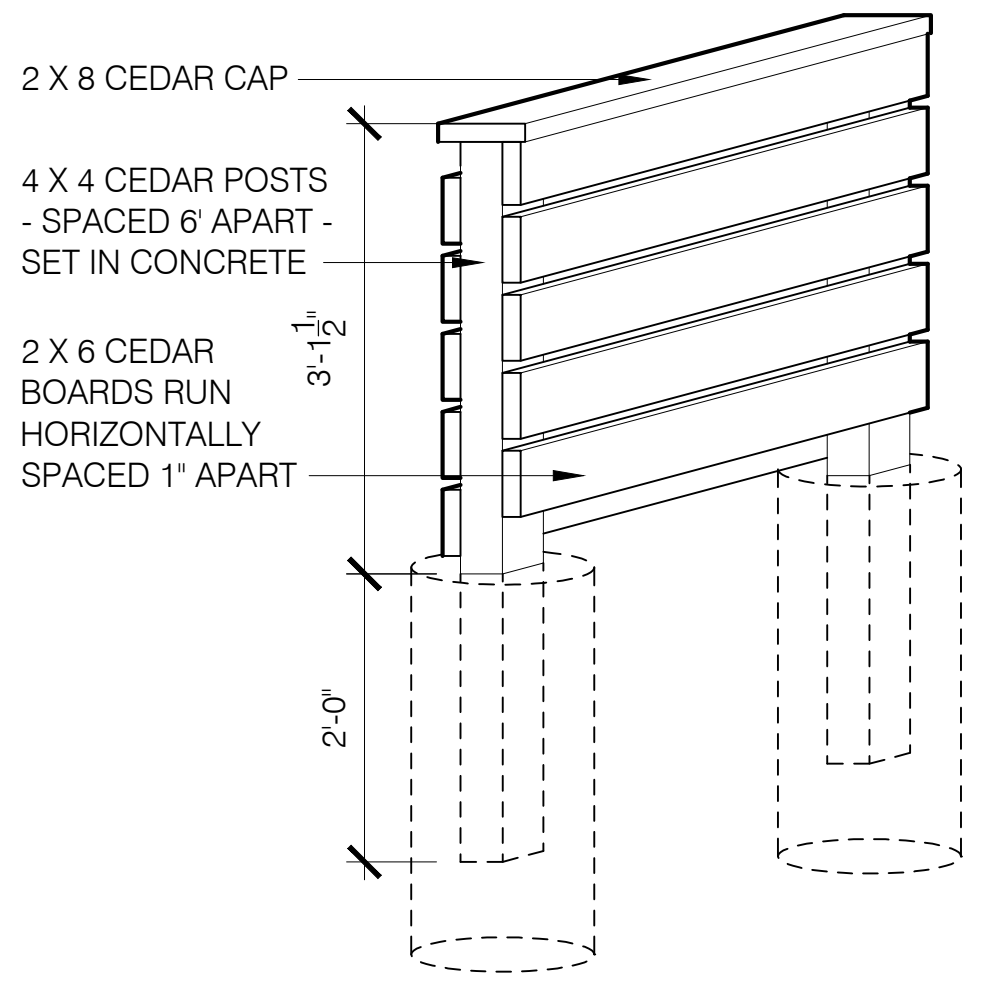
11 T.O. RATED EXT WALL DETAIL  
SCALE: 1-1/2" = 1'-0"



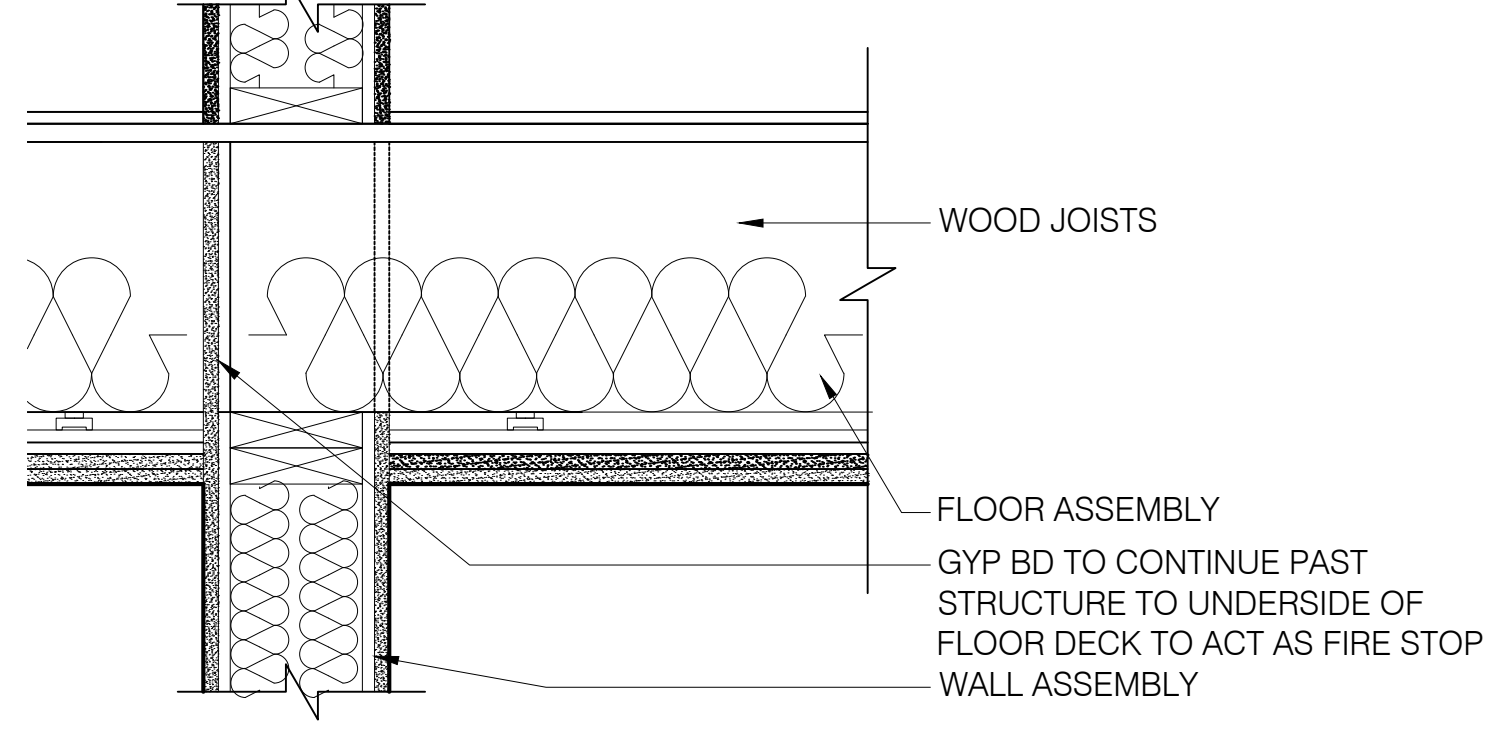
7 HANDRAIL SECTION  
SCALE: 3" = 1'-0"



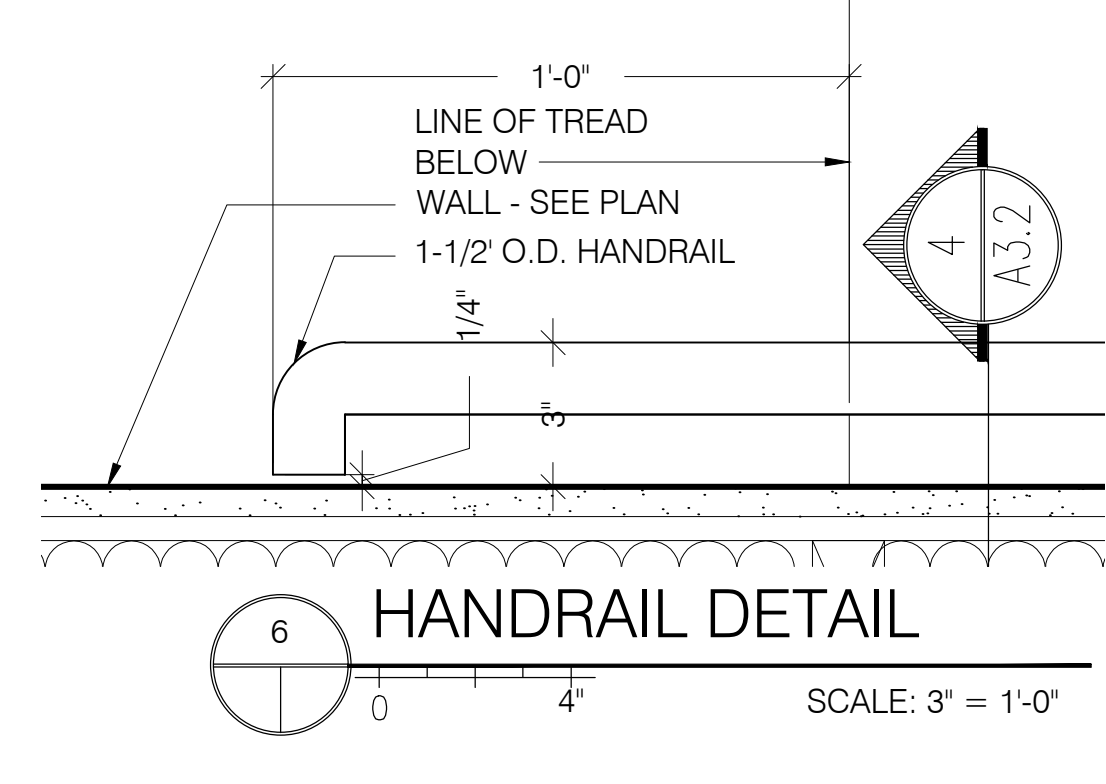
3 EXTERIOR TREAD/RISER DETAIL  
SCALE: 1-1/2" = 1'-0"



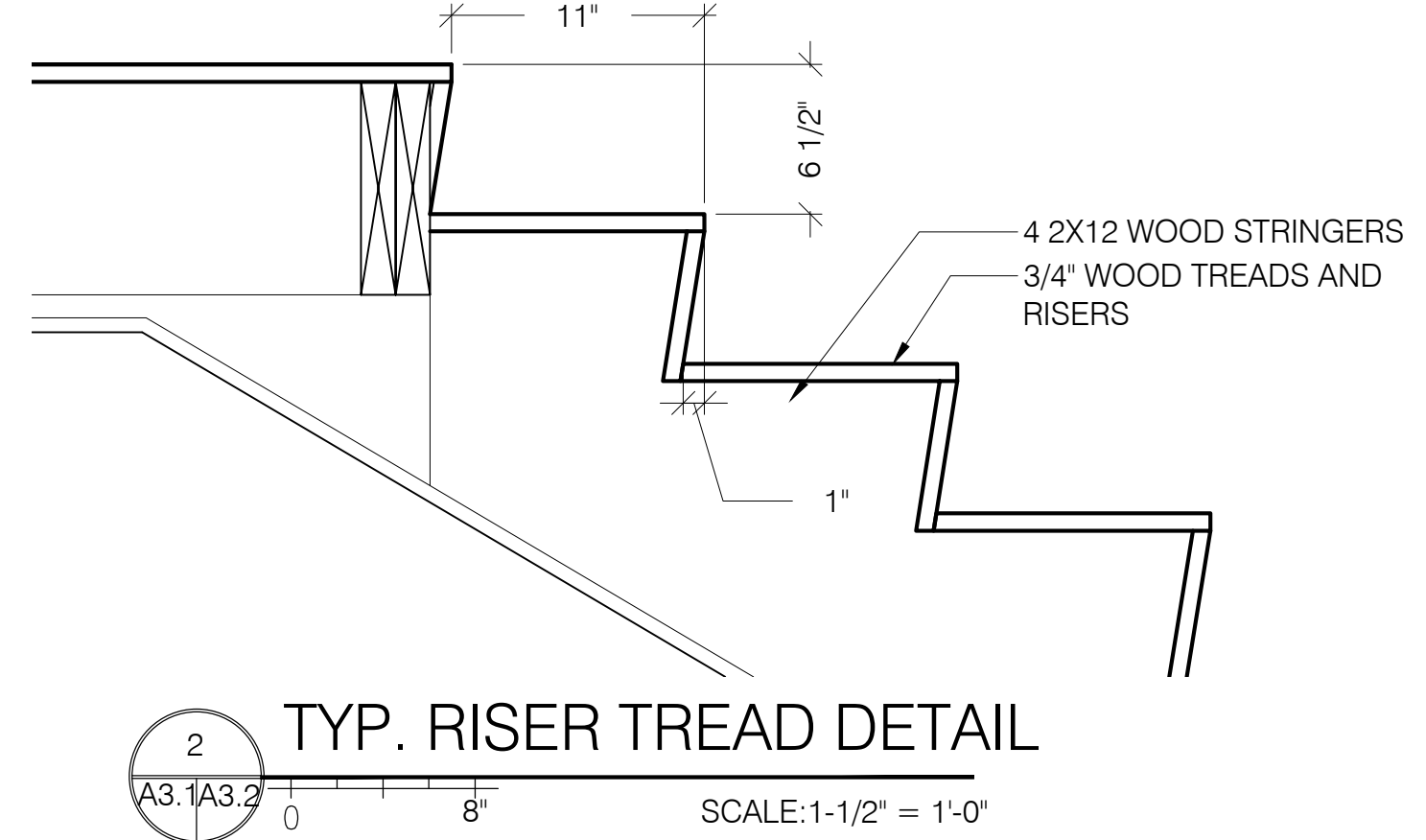
13 FENCE DETAIL NEAR CURB  
SCALE: 3/4" = 1'-0"



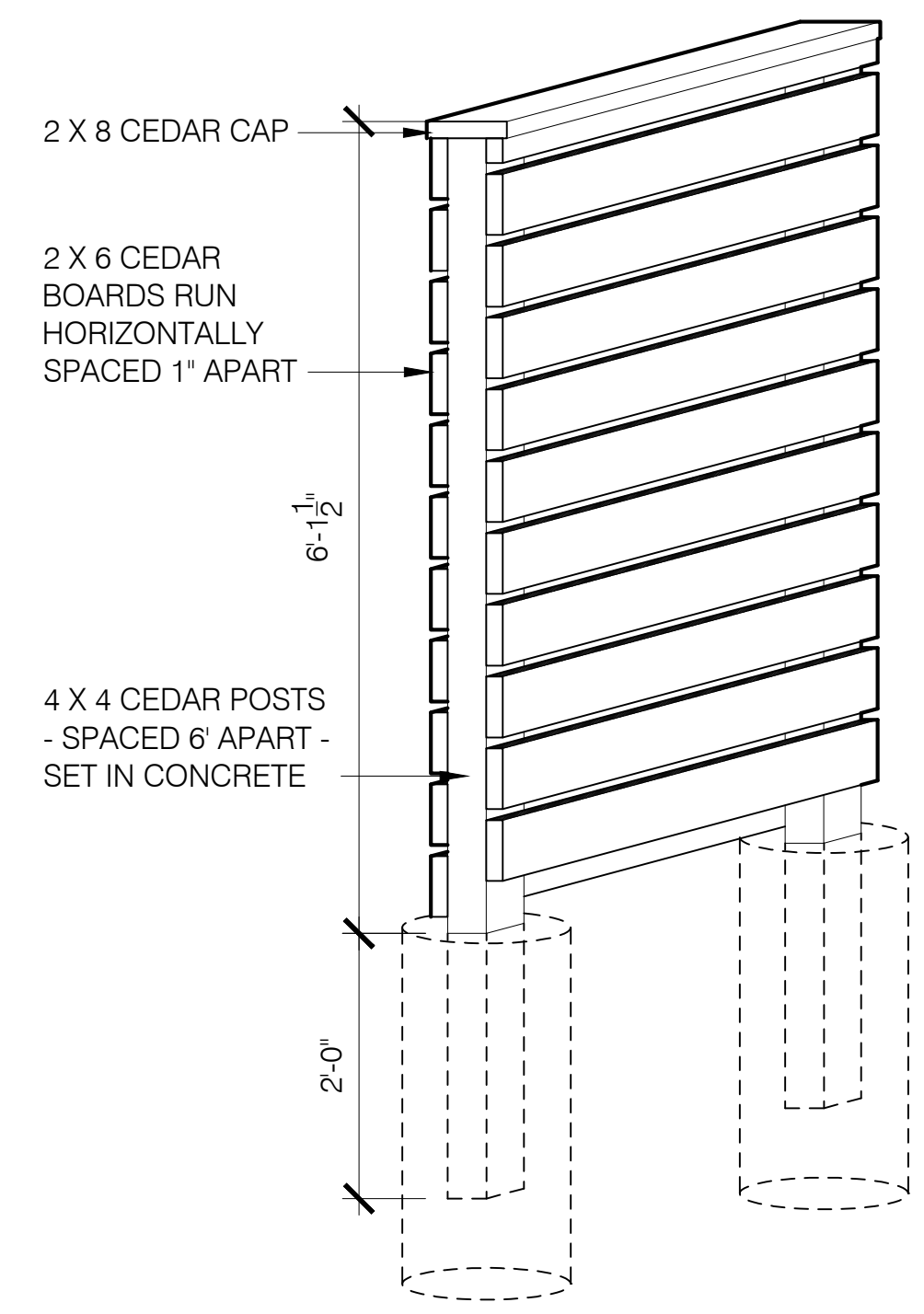
10 INTERIOR BEARING WALL DETAIL  
SCALE: 1-1/2" = 1'-0"



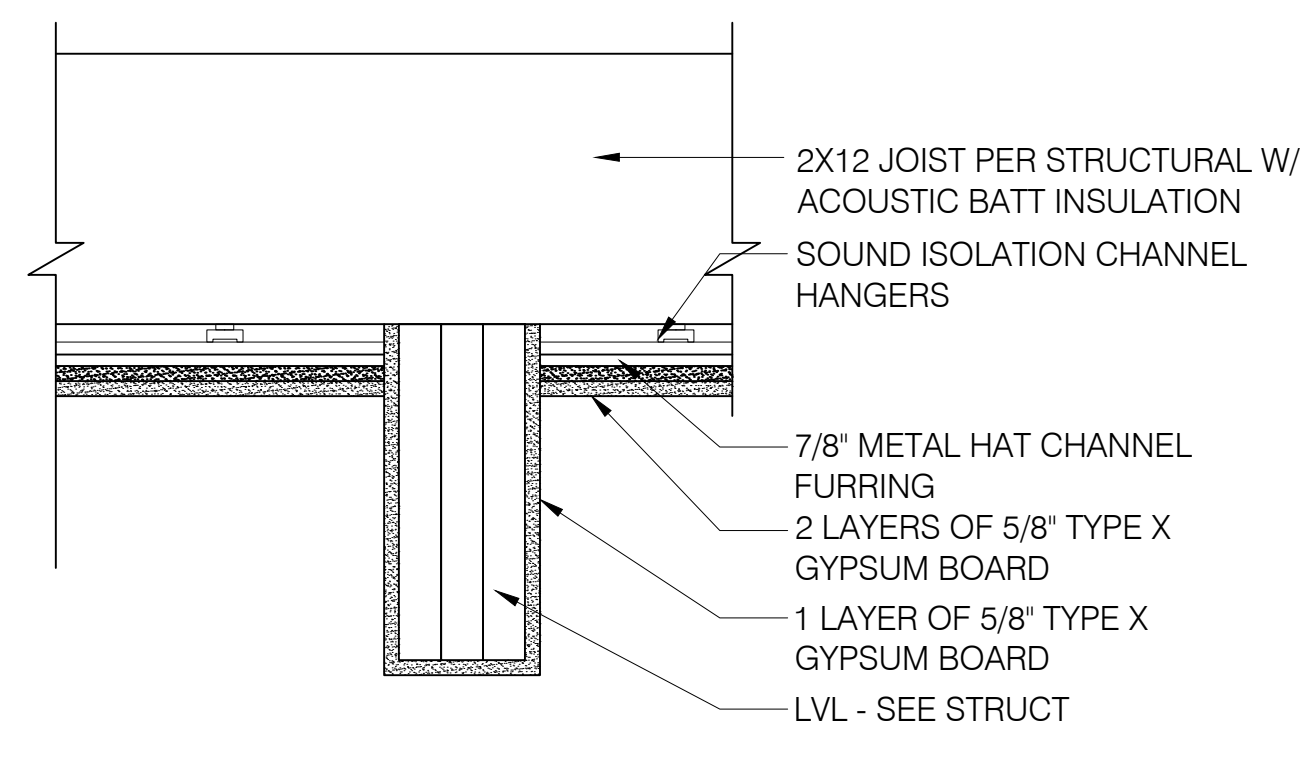
6 HANDRAIL DETAIL  
SCALE: 3" = 1'-0"



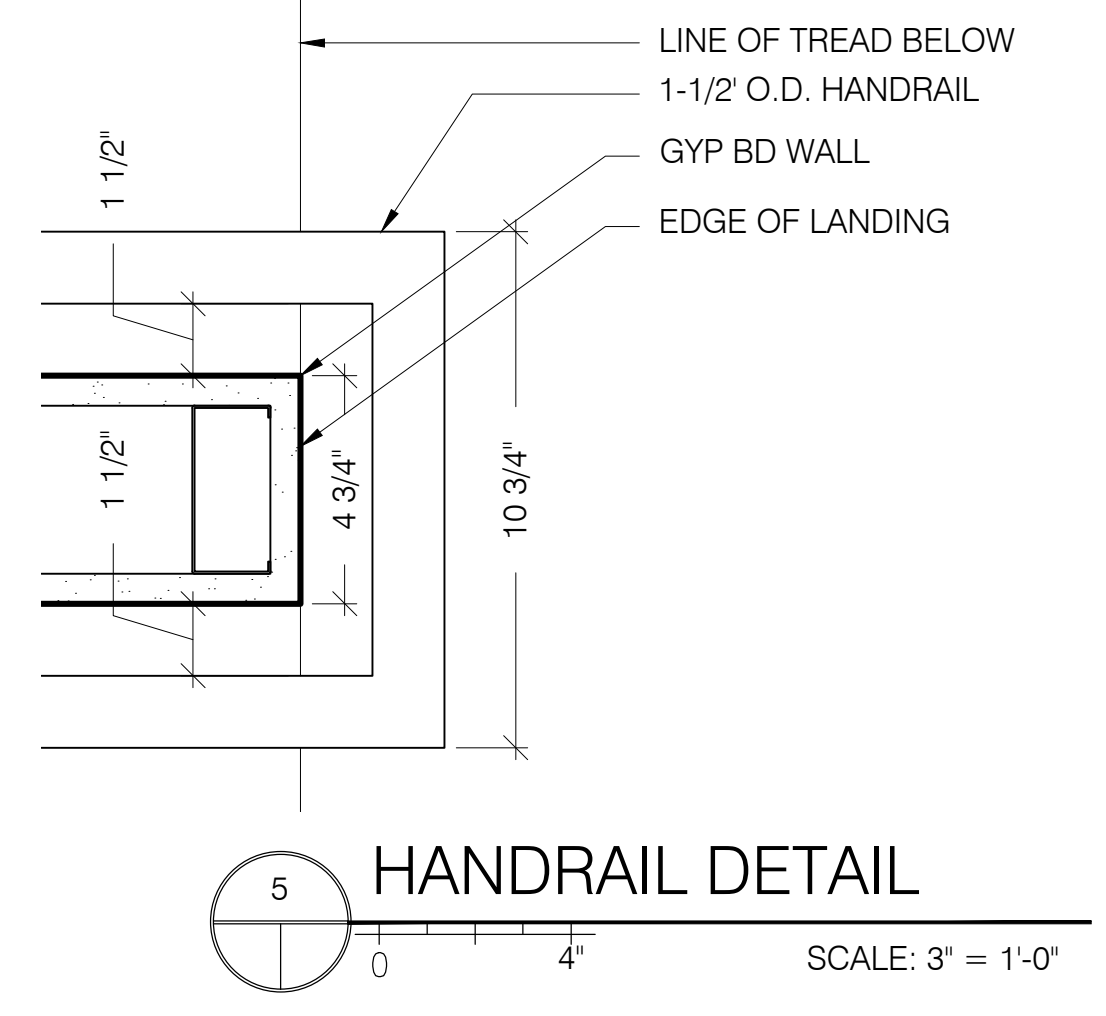
2 TYP. RISER TREAD DETAIL  
SCALE: 1-1/2" = 1'-0"



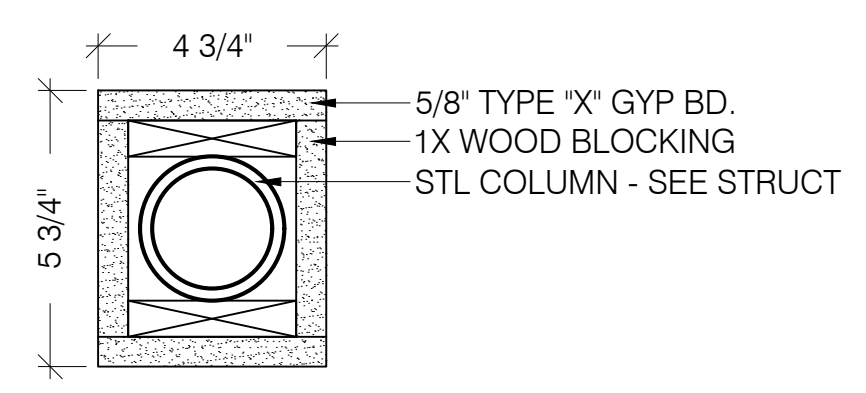
12 FENCE DETAIL  
SCALE: 3/4" = 1'-0"



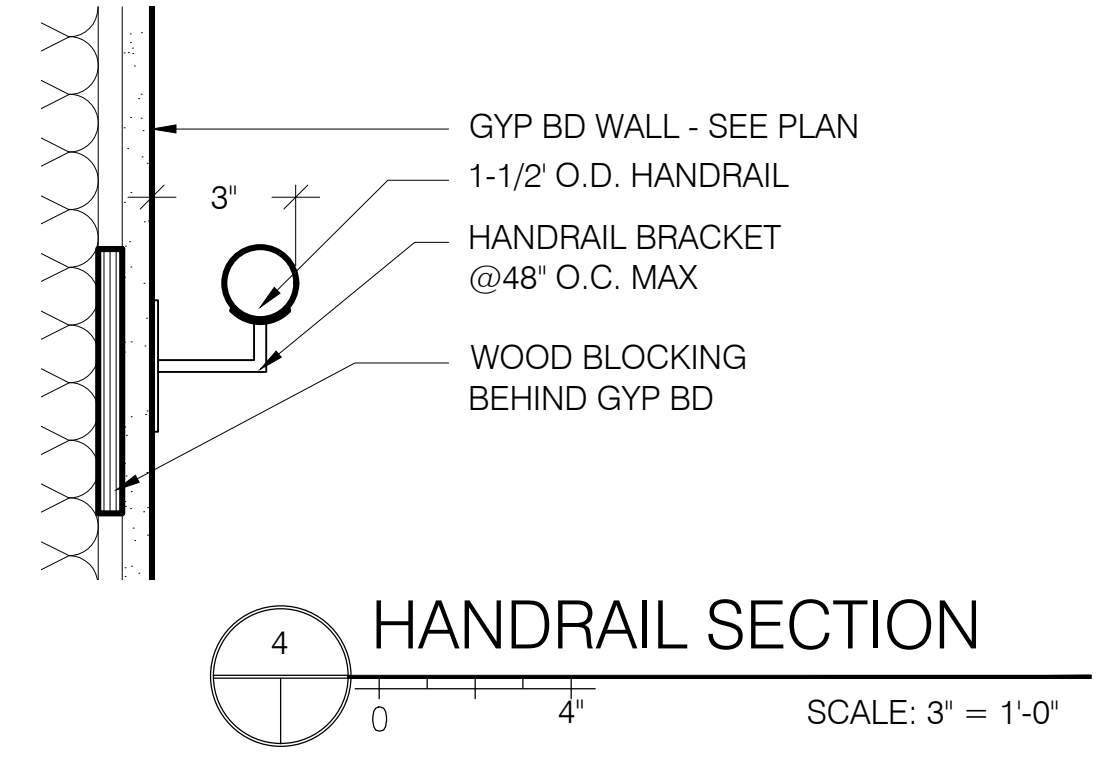
9 LVL WRAP DETAIL  
SCALE: 1-1/2" = 1'-0"



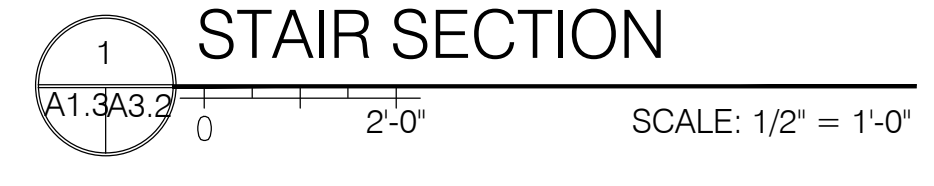
5 HANDRAIL DETAIL  
SCALE: 3" = 1'-0"



8 COLUMN WRAP DETAIL  
SCALE: 3" = 1'-0"



4 HANDRAIL SECTION  
SCALE: 3" = 1'-0"



1 STAIR SECTION  
SCALE: 1/2" = 1'-0"

REVISIONS

1	
2	
3	
4	
5	

**PERMIT SET (REVISIONS)**  
NOT FOR CONSTRUCTION

ISSUE DATE  
**11/07/16**  
DRAWN BY  
**EMW**  
SHEET SCALE  
**1/4" = 1'-0"**