

COPYRIGHT: Reuse or reproduction of the contents of this document is not permitted without written permission of Bild Architecture LLC

WINDOW SCHEDULE				
TYPE	SIZE (ROUGH OPENING)	MATERIAL	OPERATION	NOTES
A	11'-10 3/4" X 6'-9 3/4"	-	SLIDING	1,2,4
B	2'-6" X 3'-0"	-	AWNING	1,2,4
C	2'-6" X 5'-0"	-	FIXED	1,2,4
D	5'-0" X 3'-0"	-	CASEMENT	1,3,2,4
E	5'-0" X 5'-0"	-	FIXED	1,2,4
F	7'-0" X 1'-4"	-	FIXED	1,2,4
G	7'-0" X 5'-6"	-	SWING	1,2,4

WINDOW SCHEDULE NOTES:

- SAFETY GLAZING MAY BE REQUIRED FOR WINDOWS NEAR A SLIDING DOOR
- ALL WINDOWS TO HAVE A MAXIMUM U-FACTOR OF 0.35
- WINDOWS LABELED "EGRESS WINDOW" IN PLAN MUST COMPLY WITH: MIN AREA: 5.7SF
MIN HEIGHT: 24"
MIN WIDTH: 20"
- WINDOWS TP BE THERMALLY BROKEN

WINDOW SPECIFICATIONS:

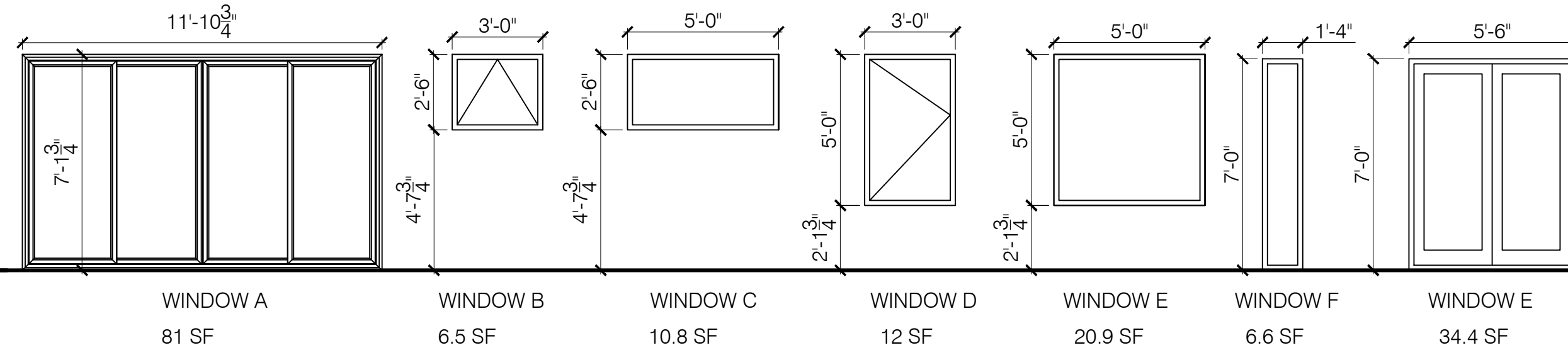
- | | |
|---------------------------------------|---------------------------------|
| 1. Size and window configuration. | See Window Schedule |
| 2. Color options. | To be selected |
| 3. Factory Mulling Capability. | Preferred |
| 4. Design Pressure Rating | 25 |
| 5. U Factor | 0.35 or lower |
| 6. Material | To be selected |
| 7. Glazing Type | To be selected |
| 8. Hardware type. | To be selected |
| 9. Exterior Washing Capability | Washing from interior preferred |
| 10. Warranty (Window & glazing units) | 10 years |
| 11. Insect Screens | Standard Insect Screens |

GENERAL NOTES:

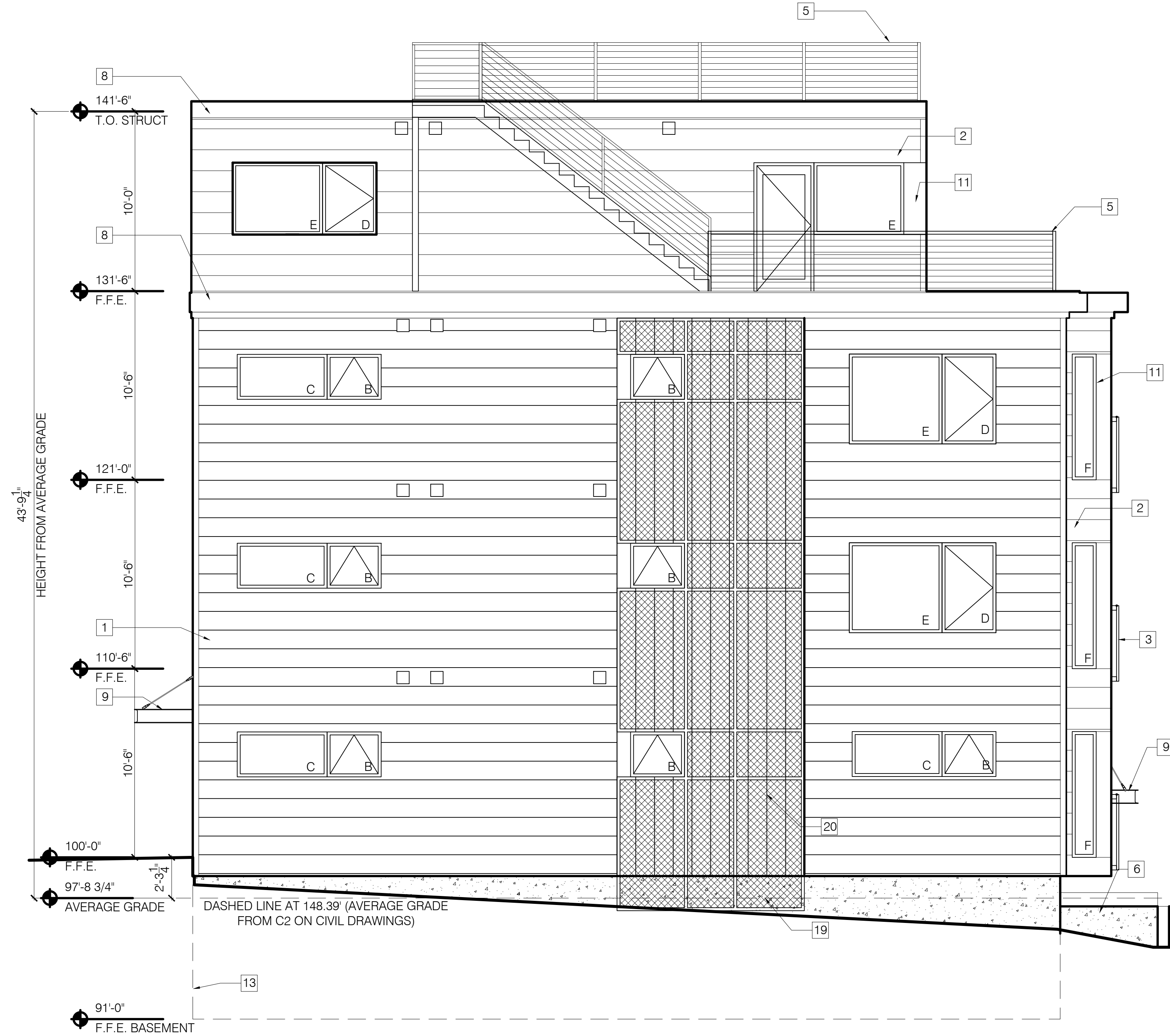
- GLAZING IN ALL DOORS IS REQUIRED TO BE SAFETY GLAZING
- FINAL FINISHES TO BE SELECTED BY OWNER.
-
-

KEYNOTES:

- LP SMART SIDING - SMOOTH FINISH - CLAPBOARD - 11.84 WIDTH - COLOR 1
- LP SMART SIDING - SMOOTH FINISH - CLAPBOARD - 11.84 WIDTH - COLOR 2
- FABRICATED METAL GUARD SYSTEM CONSTRUCTED OH HSS
-
- HANDRAIL W/ 42" HISS HSS GUARDRAIL W/ HORIZONTAL STEEL RODS @ 3 1/2" O.C.
- CONCRETE PLANTER
- BUILDING ADDRESS FORMED INTO CONCRETE
- GALVANIZED FINISHED BREAK METAL COPING
- FABRICATED METAL AWNING WITH METAL ROD SUPPORTS
- FABRICATED METAL STAIR W/ 36" 111-1/2" HSS RAILINGS AND HORZ STEEL RODS @ 3-1/2" O.C.
- BREAK METAL WINDOW TRIM DETAIL
- LINE OF ROOF BEYOND
- LINE REPRESENTS BASEMENT BELOW GRADE
- DOWNSPOUT
- DRYER VENT
- HVAC EXHAUST
- HVAC INTAKE
- LOCATION FOR INSTALLATION OF HEAT PUMP UNITS
- FABRICATED METAL GREEN SCREEN FOR IVY
- VERTICAL SIDING BEHIND SCREEN



1 FRONT (EAST) ELEVATION
SCALE: 1/4" = 1'-0"



2 SOUTH ELEVATION
SCALE: 1/4" = 1'-0"