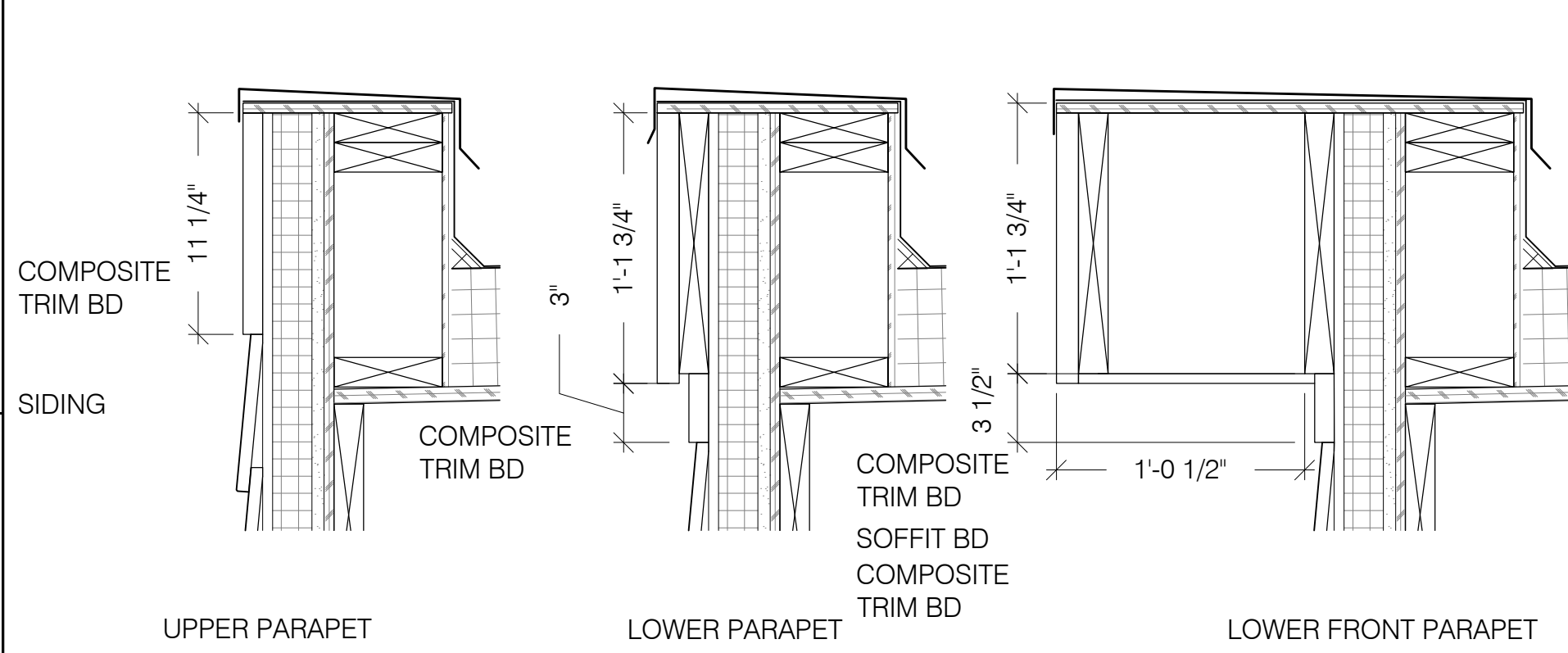
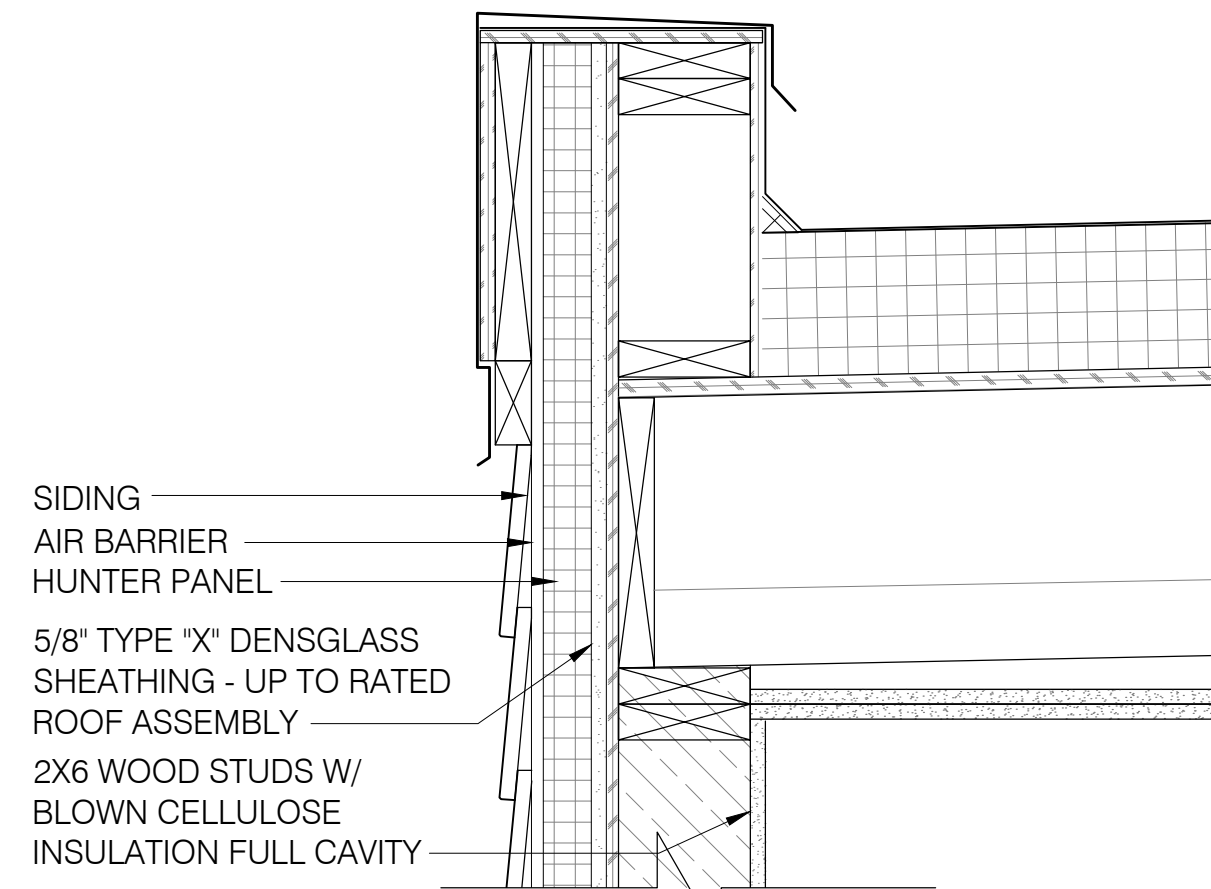


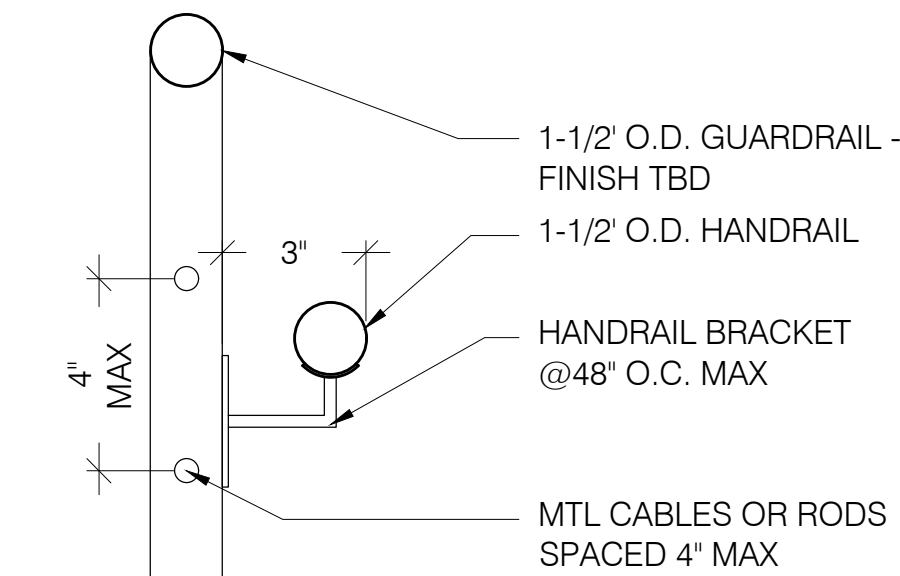
COPYRIGHT: Reuse or reproduction of the contents of this document is not permitted without written permission of Bild Architecture LLC



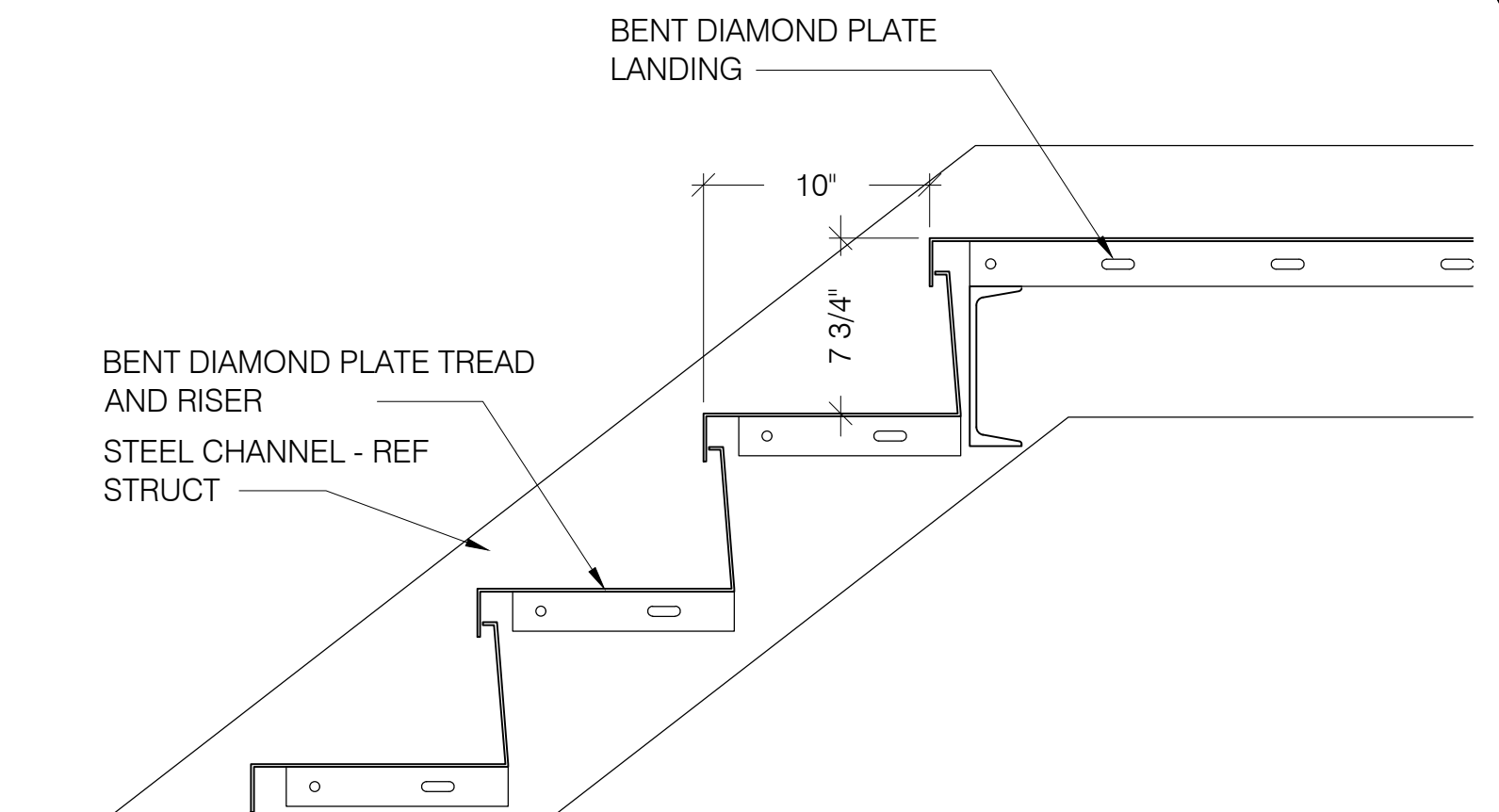
14 PARAPET DETAILS
SCALE: 1-1/2" = 1'-0"



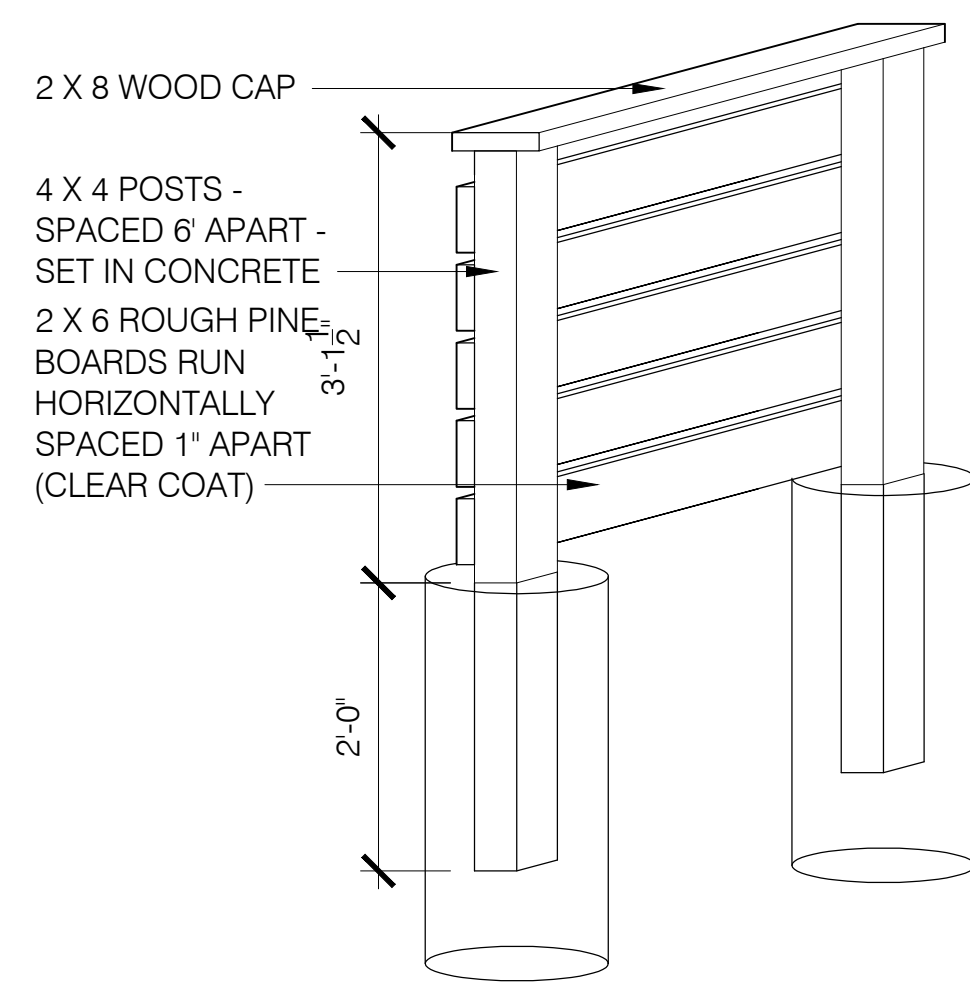
11 T.O. RATED EXT WALL DETAIL
SCALE: 1-1/2" = 1'-0"



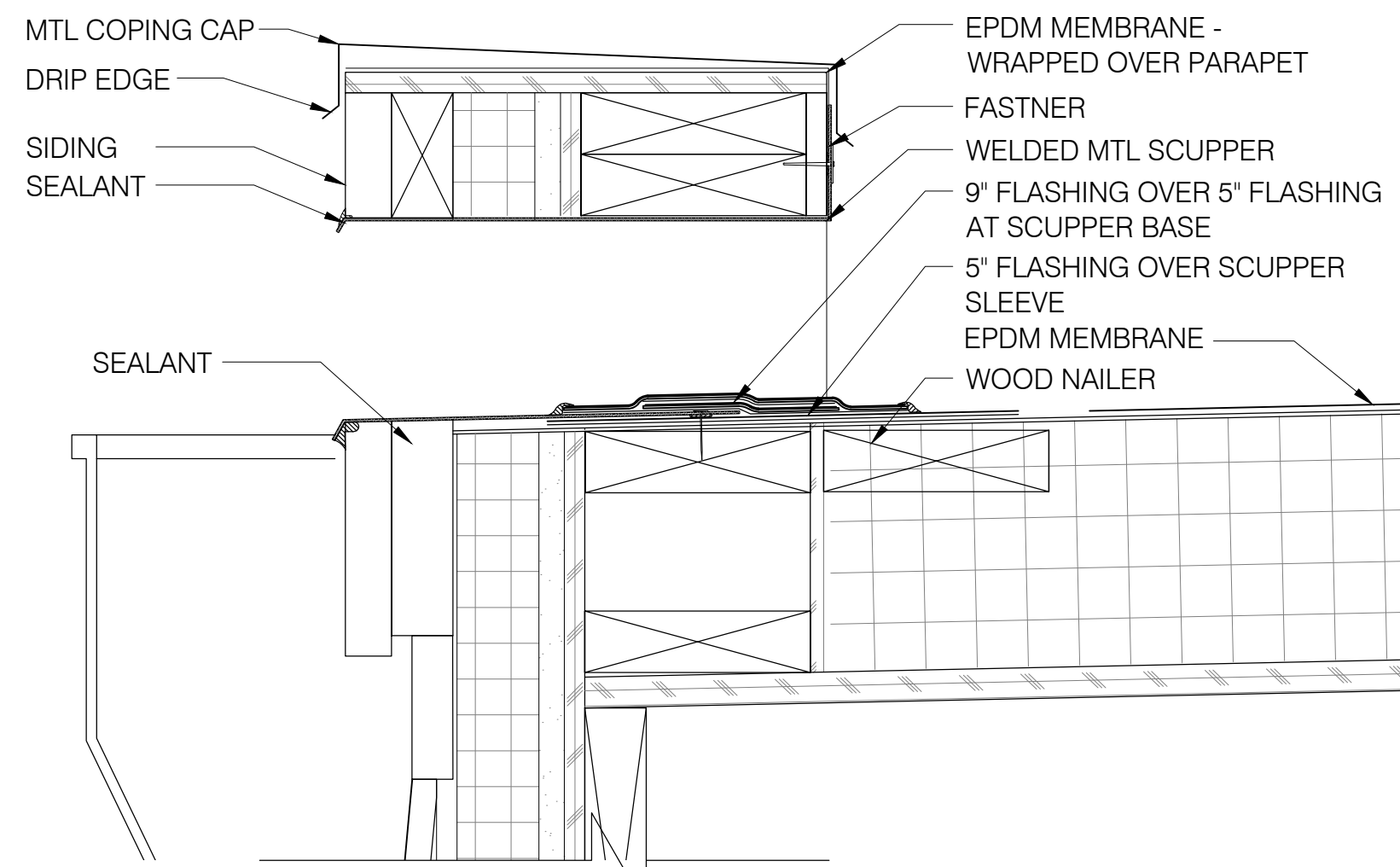
7 HANDRAIL SECTION
SCALE: 3" = 1'-0"



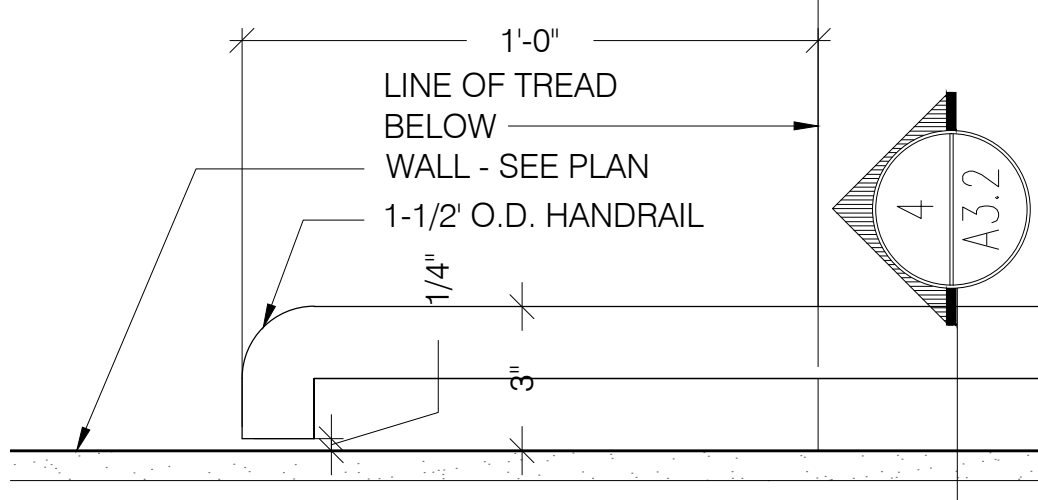
3 EXTERIOR TREAD/RISER DETAIL
SCALE: 1-1/2" = 1'-0"



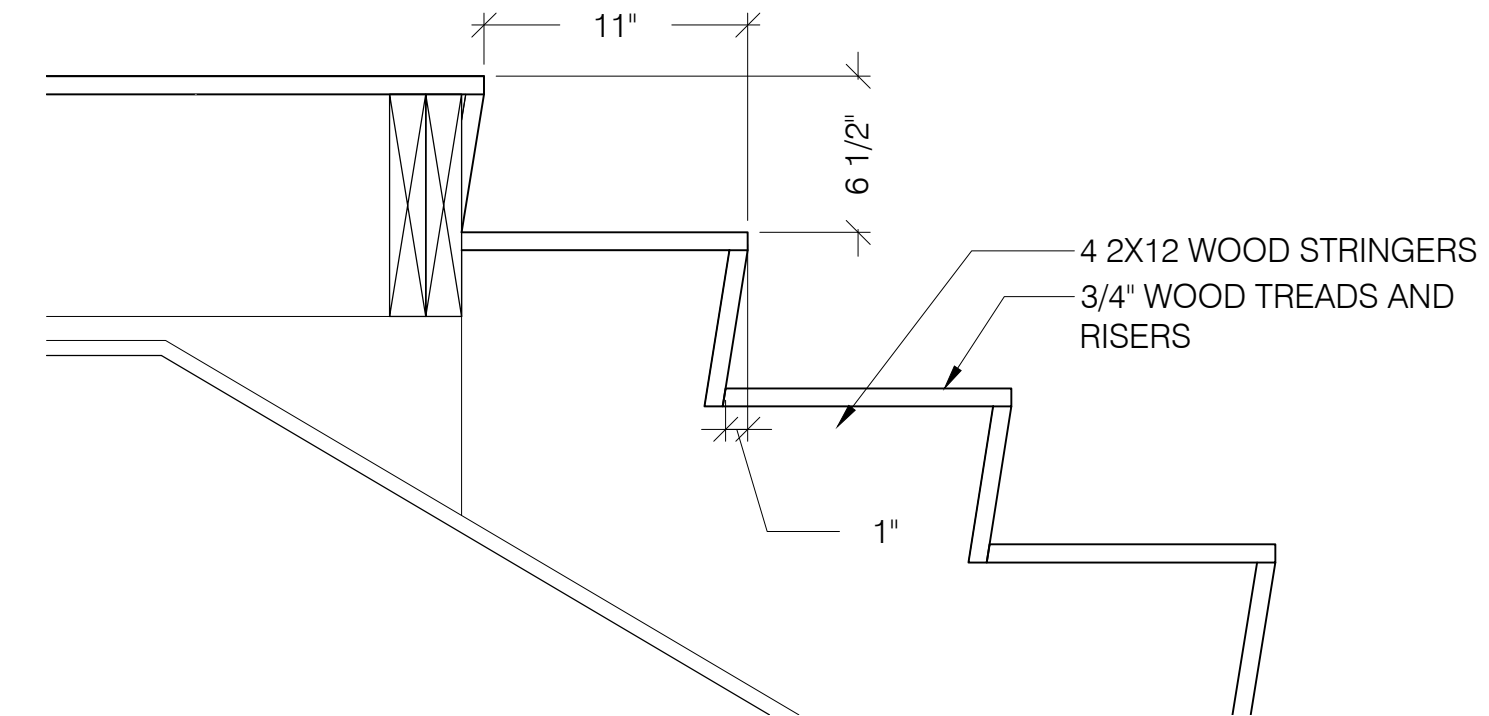
13 FENCE DETAIL NEAR CURB
SCALE: 3/4" = 1'-0"



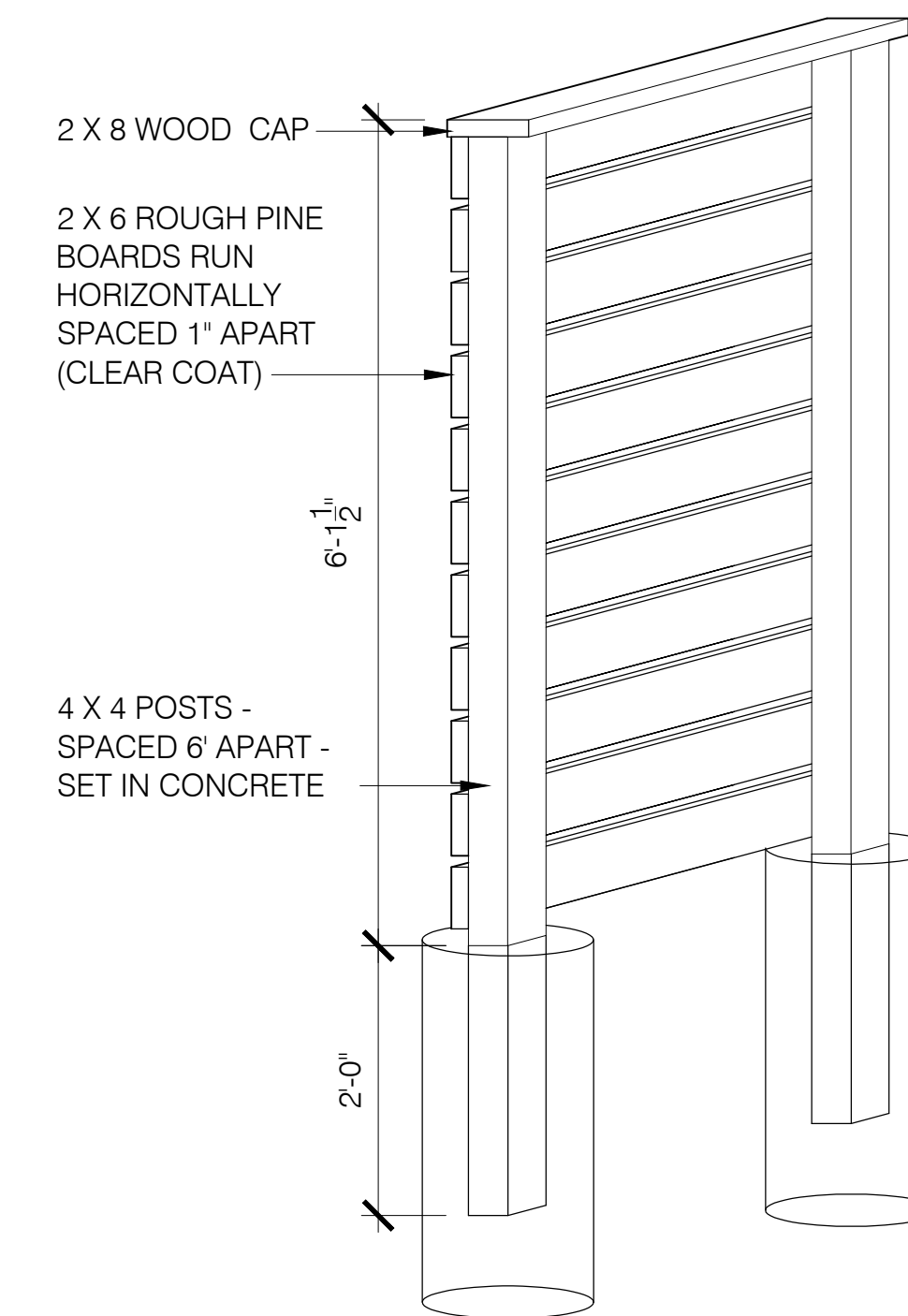
10 SCUPPER DETAIL
SCALE: 1-1/2" = 1'-0"



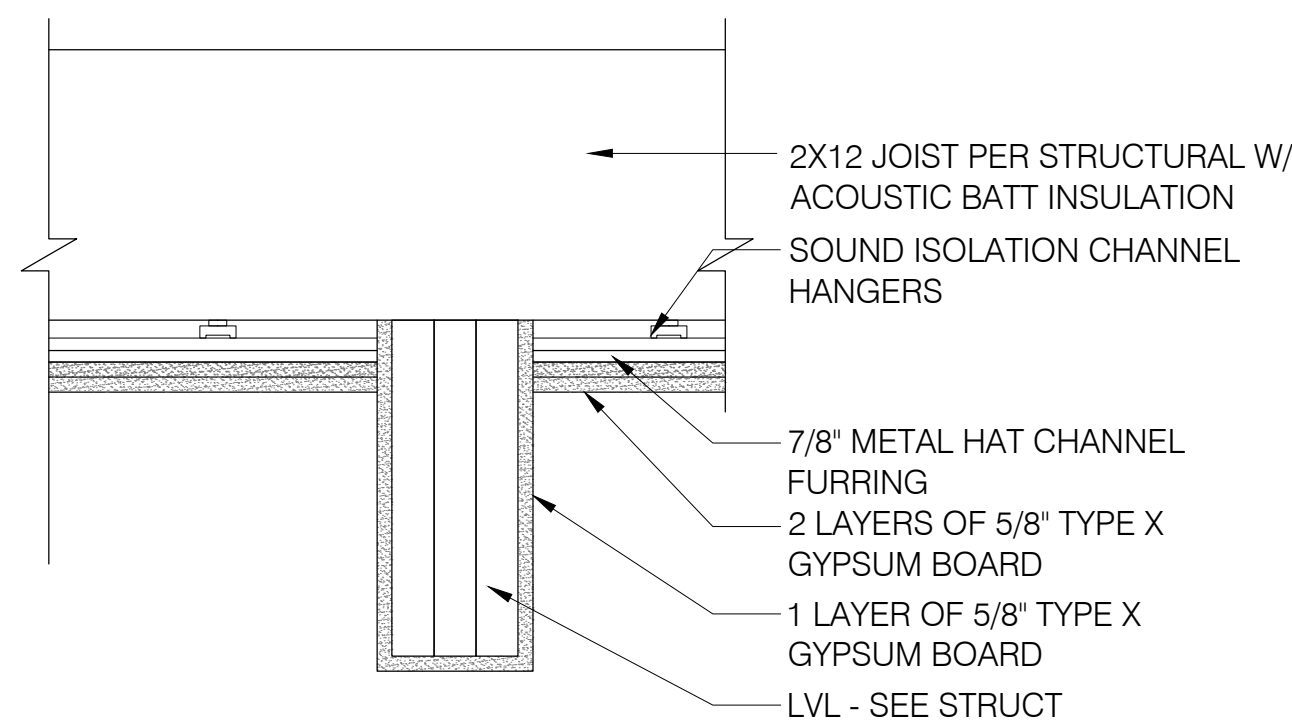
6 HANDRAIL DETAIL
SCALE: 3" = 1'-0"



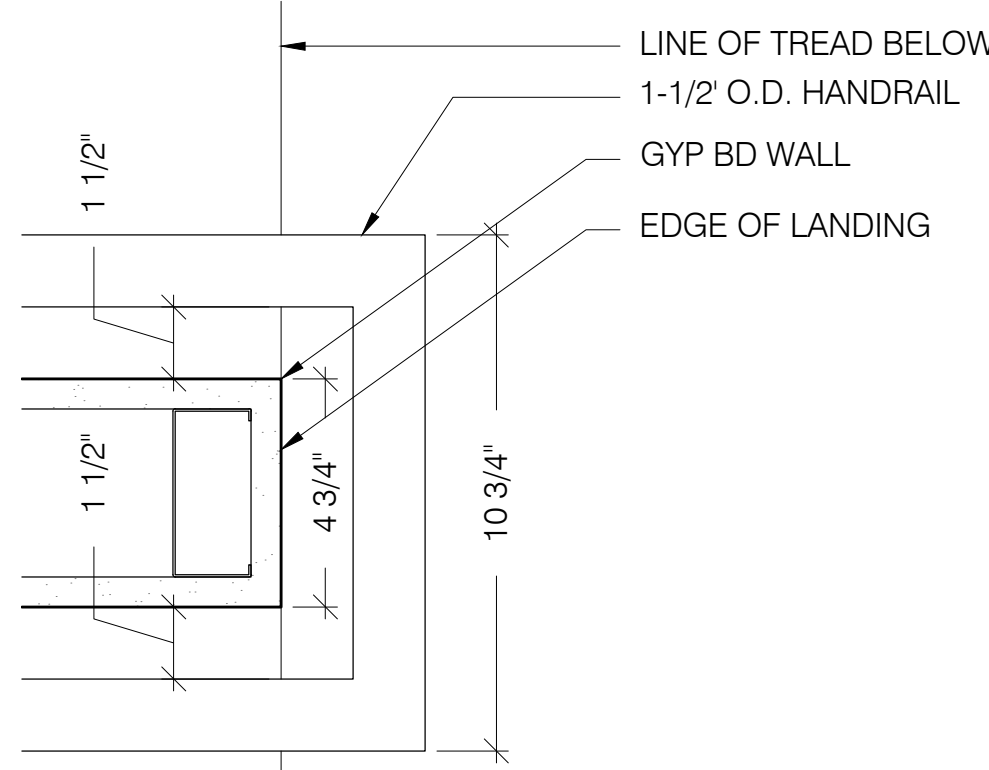
2 TYP. RISER TREAD DETAIL
SCALE: 1-1/2" = 1'-0"



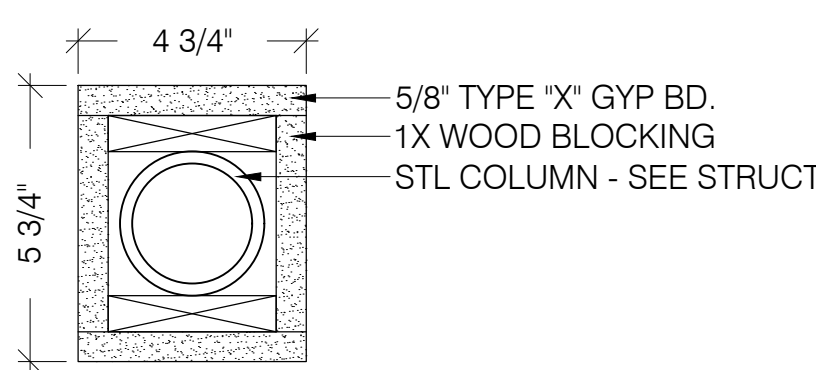
12 FENCE DETAIL
SCALE: 3/4" = 1'-0"



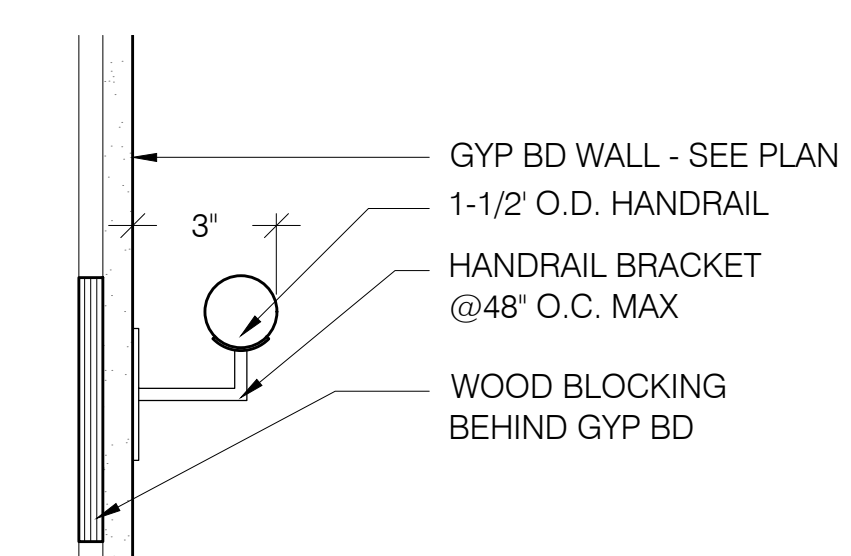
9 LVL WRAP DETAIL
SCALE: 1-1/2" = 1'-0"



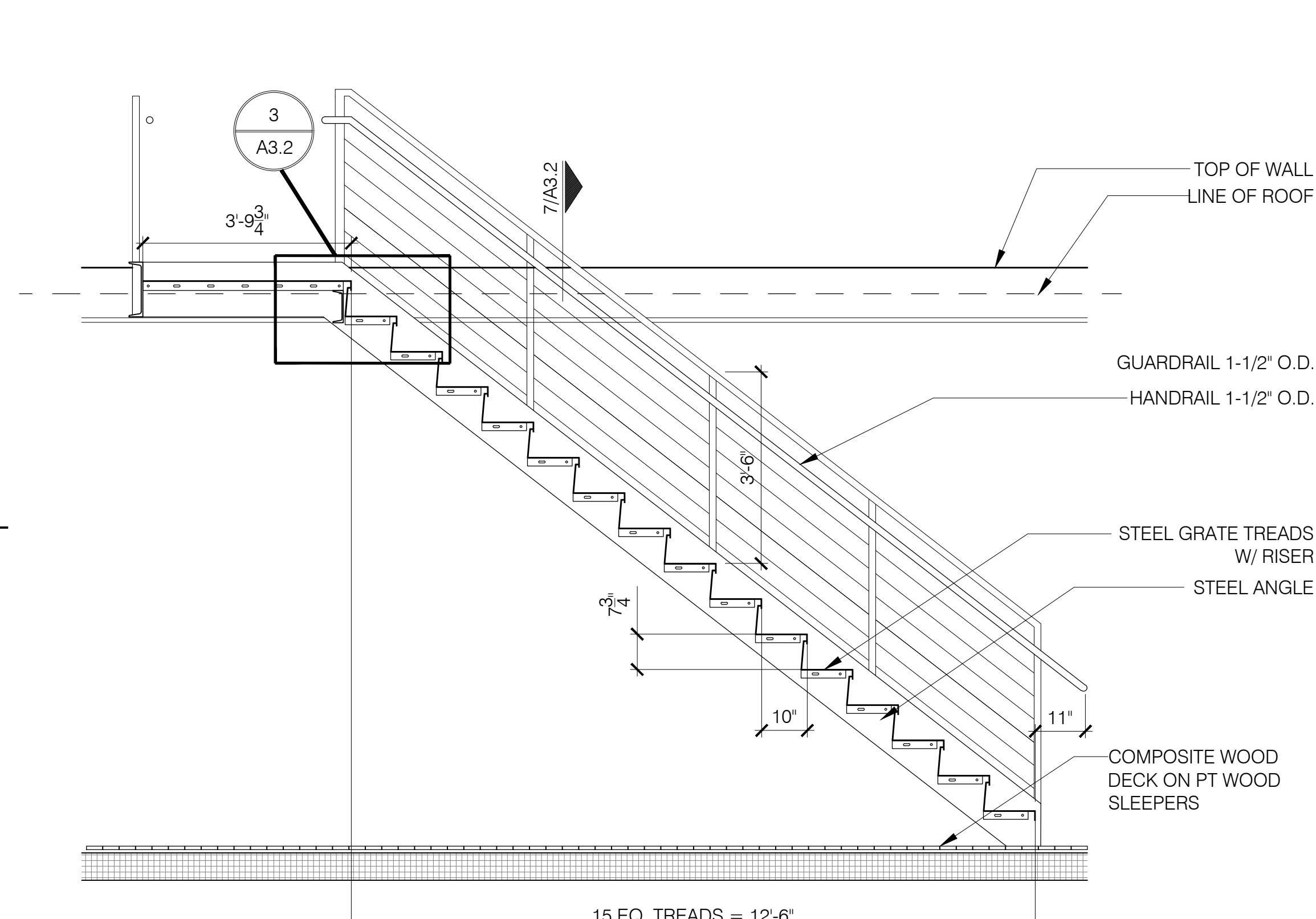
5 HANDRAIL DETAIL
SCALE: 3" = 1'-0"



8 COLUMN WRAP DETAIL
SCALE: 3" = 1'-0"



4 HANDRAIL SECTION
SCALE: 3" = 1'-0"



1 STAIR SECTION
SCALE: 1/2" = 1'-0"