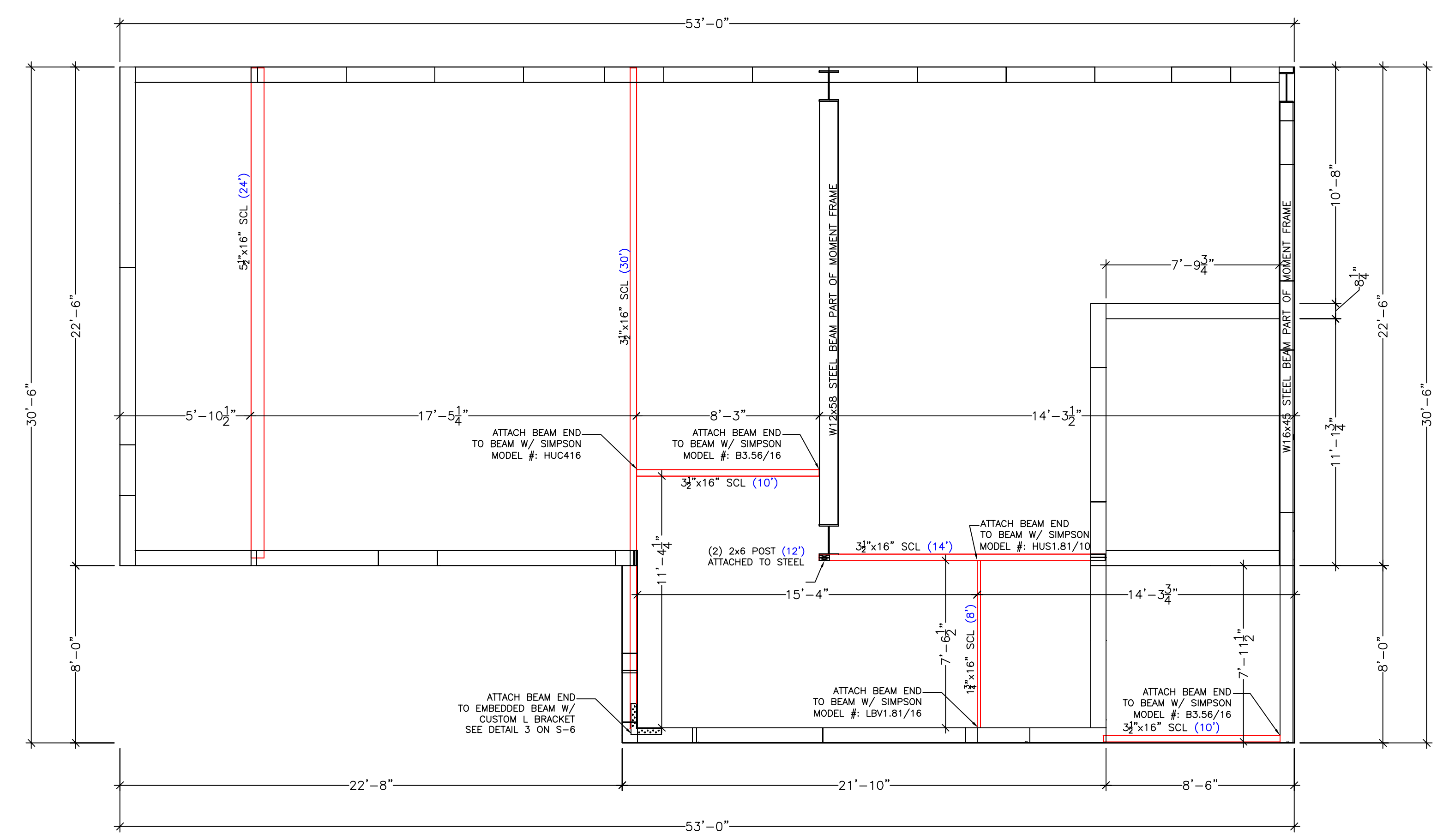
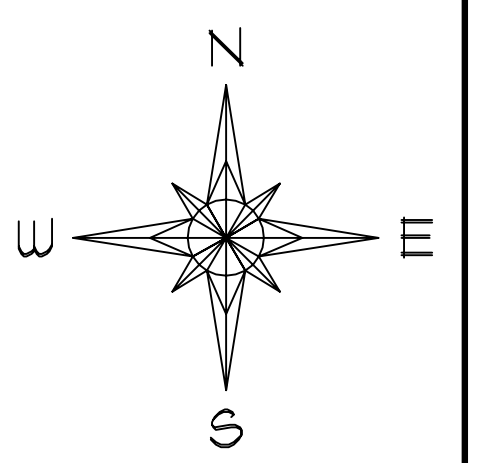


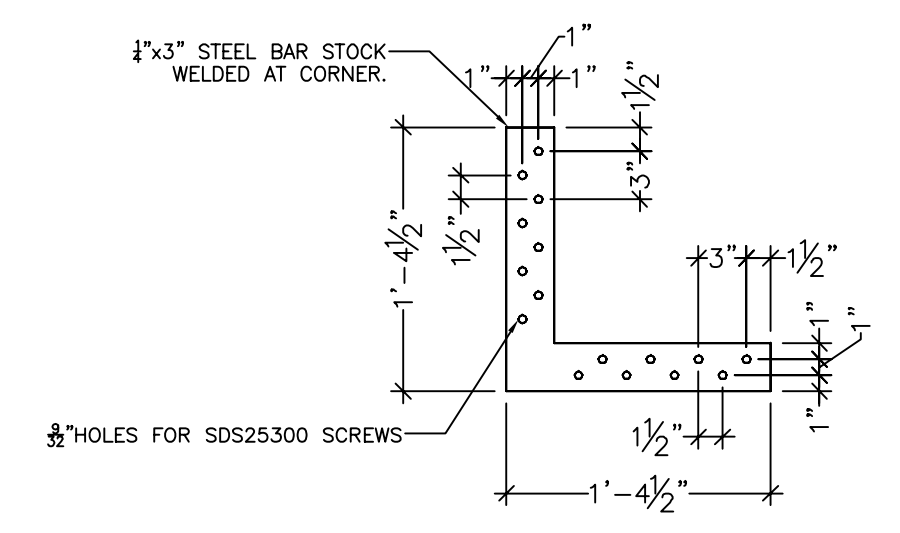


Foard
P A N E L
 Incorporated
 P.O. Box 185, West Chestfield, NH 03466
 (603) 256-8800

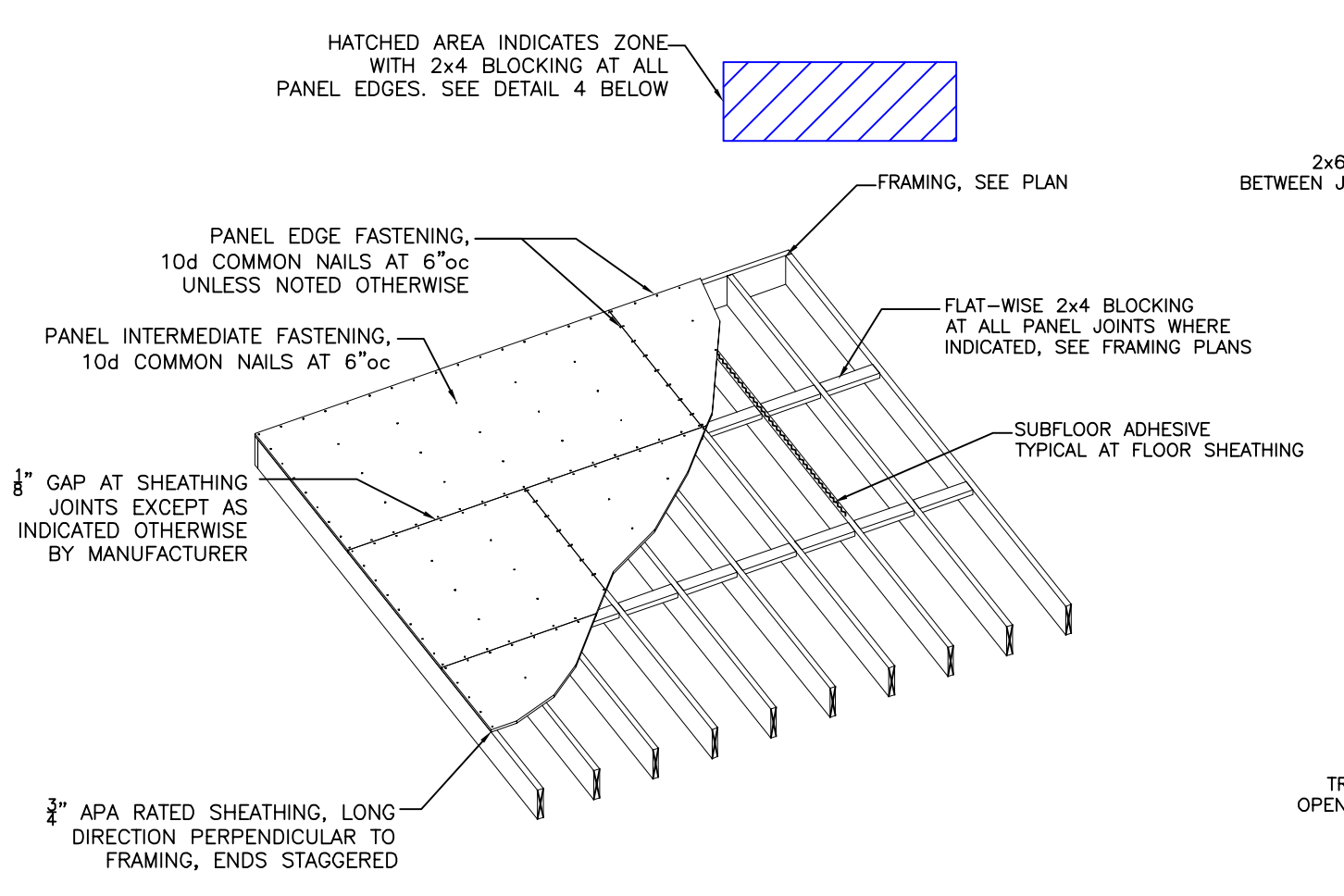
© 2017
 THIS DRAWING IS THE SOLE & EXCLUSIVE PROPERTY OF FOARD PANEL, INC. & MAY NOT BE REPRODUCED OR PUBLISHED IN ANY MANNER WHATSOEVER WITHOUT THE EXPRESSED WRITTEN CONSENT OF FOARD PANEL, INC.



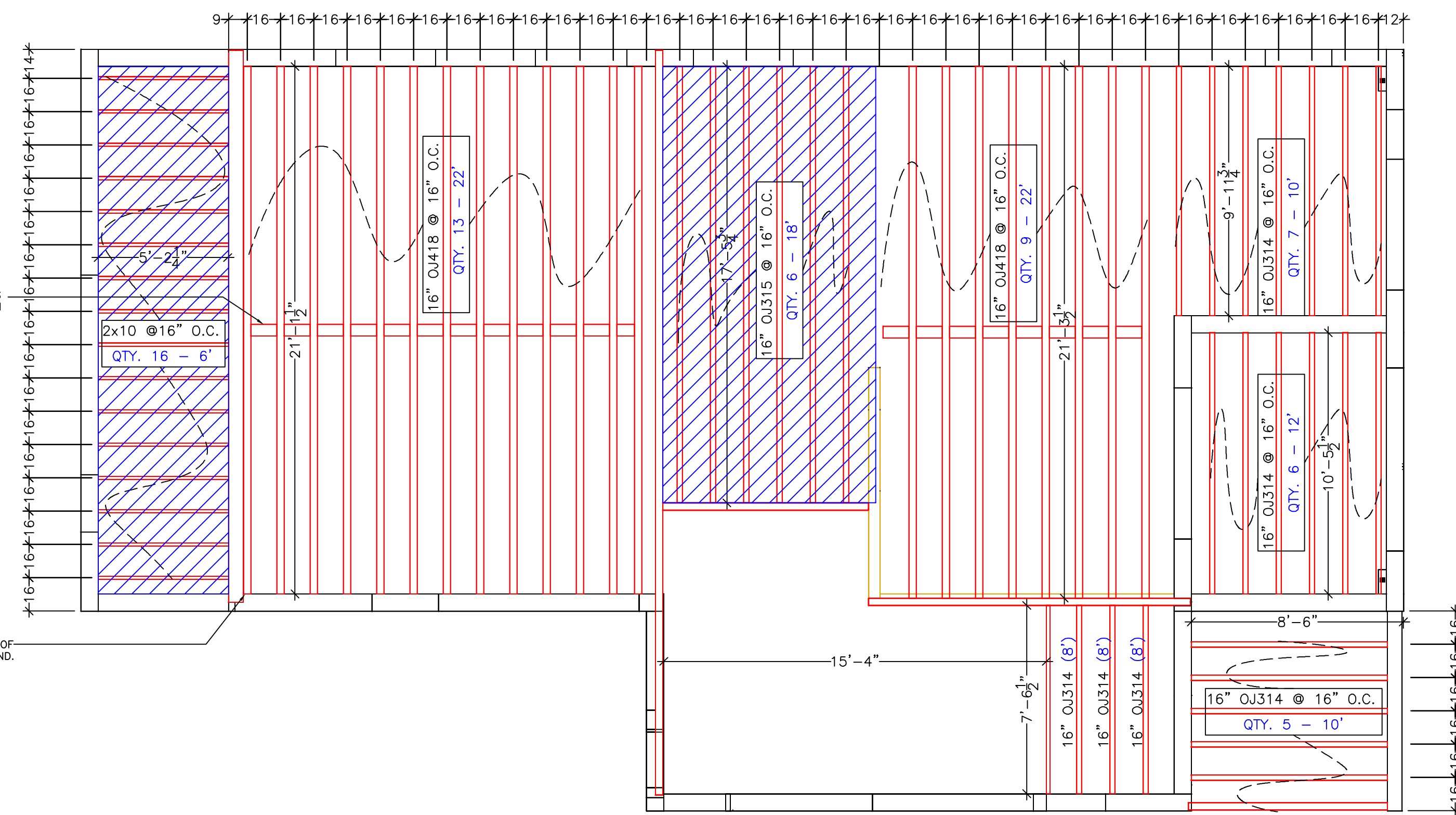
3rd LEVEL BEAM LAYOUT
 SCALE: 1/4" = 1'-0"



CORNER BRACKET
 SCALE: 1" = 1'-0"



DIAPHRAGM EDGE BLOCKING DETAIL
 SCALE: NTS



3rd LEVEL JOIST LAYOUT
 SCALE: 1/4" = 1'-0"

HANGER SCHEDULE

JOIST TYPE	JOIST ATTACHED TO BEAM	JOIST ATTACHED TO SIP	JOIST ATTACHED TO STEEL
16" OJ314/OJ315	10-ITS2.56/16	39-ITS2.56/16	5-ITS2.56/16
16" OJ418	8-ITS3.56/16	34-ITS3.56/16	NONE
2x10 JOIST	16-LU26	16-JB26	NONE

TITLE: CLEMENTS-KING
 LOCATION: 48 MERRILL ST. PORTLAND ME
 DRAWING TITLE: PANEL LAYOUT DRAWINGS
 DRAWN BY: AEM
 JOB CONTACT: KEVIN @ FOARD PANEL
 CHECKED BY: JANUARY 17th, 2018

DRAWING NO. S-6
 SHEET NO. 6 OF 25