

Foard
PANEL
 Incorporated
 P.O. Box 185, West Chesterfield, NH 03466
 (603) 256-8800

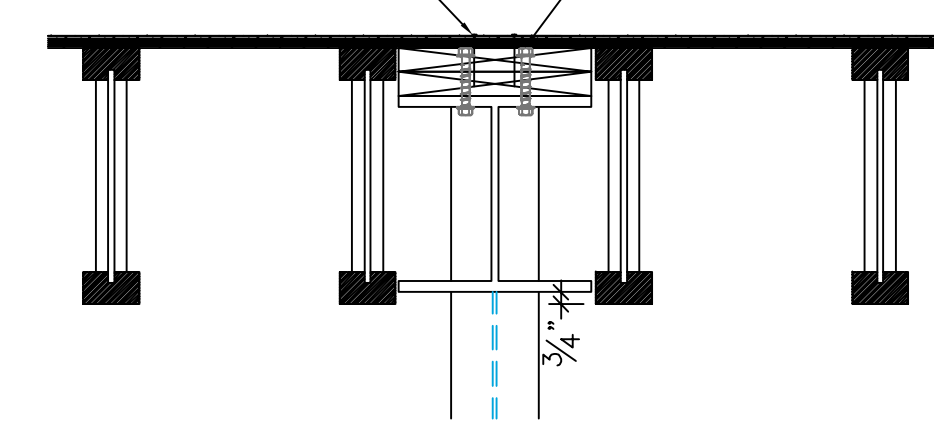
© 2017
 THIS DRAWING IS THE SOLE & EXCLUSIVE PROPERTY OF FOARD PANEL INC. & MAY NOT BE REPRODUCED OR PUBLISHED IN ANY MANNER WHATSOEVER WITHOUT THE EXPRESSED WRITTEN CONSENT OF FOARD PANEL INC.

DETAILS ARE TYPICAL OF STANDARD CONDITIONS AND MAY NOT APPLY IN ALL SITUATIONS. PLEASE CONTACT FPI TECHNICAL DEPARTMENT FOR QUESTIONS AND/OR CONCERNS.

TITLE: CLEMENTS-KING
 LOCATION: 48 MERRILL ST. PORTLAND ME
 DRAWING TITLE: PANEL LAYOUT DRAWINGS
 DRAWN BY: AEM
 JOB CONTACT: DATE:
 CHECKED BY:

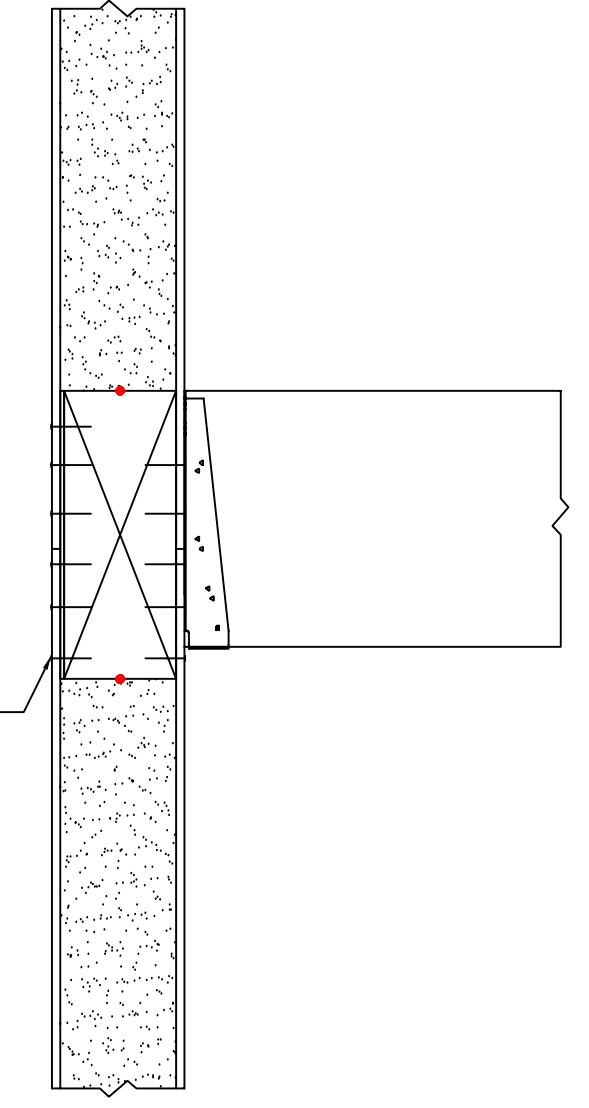
DRAWING NO. S-25
 SHEET NO. 25 of 25

ATTACH SUBFLOOR TO BLOCKING W/ (2) ROWS 0.148"x3" NAILS @ 4" O.C.
 FULL WIDTH DOUBLE 2x CONTINUOUS NAILER FASTENED TO BEAM FLANGE W/ 1/2" DIA. THROUGH BOLTS 16" O.C., STAGGERED EACH SIDE.



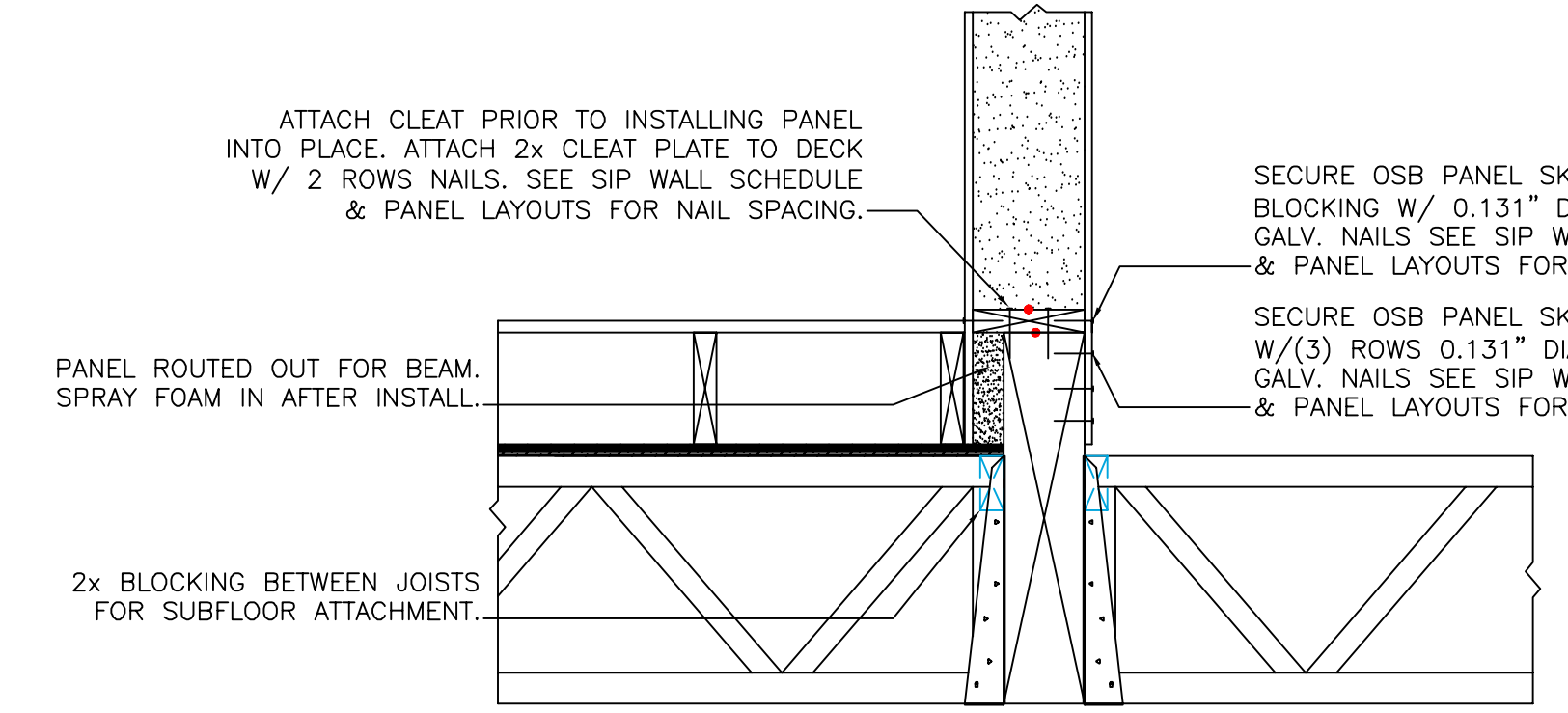
3rd FLOOR MOMENT FRAME (KITCHEN CEILING)
 SCALE: 1" = 1'-0"

SECURE OSB PANEL SKINS TO 2x BLOCKING W/ (3) 0.131" DIA. x 2 1/2" LONG GALV. NAILS EACH SIDE EACH FACE. SEE SIP WALL SCHEDULE & PANEL LAYOUTS FOR SPACING.



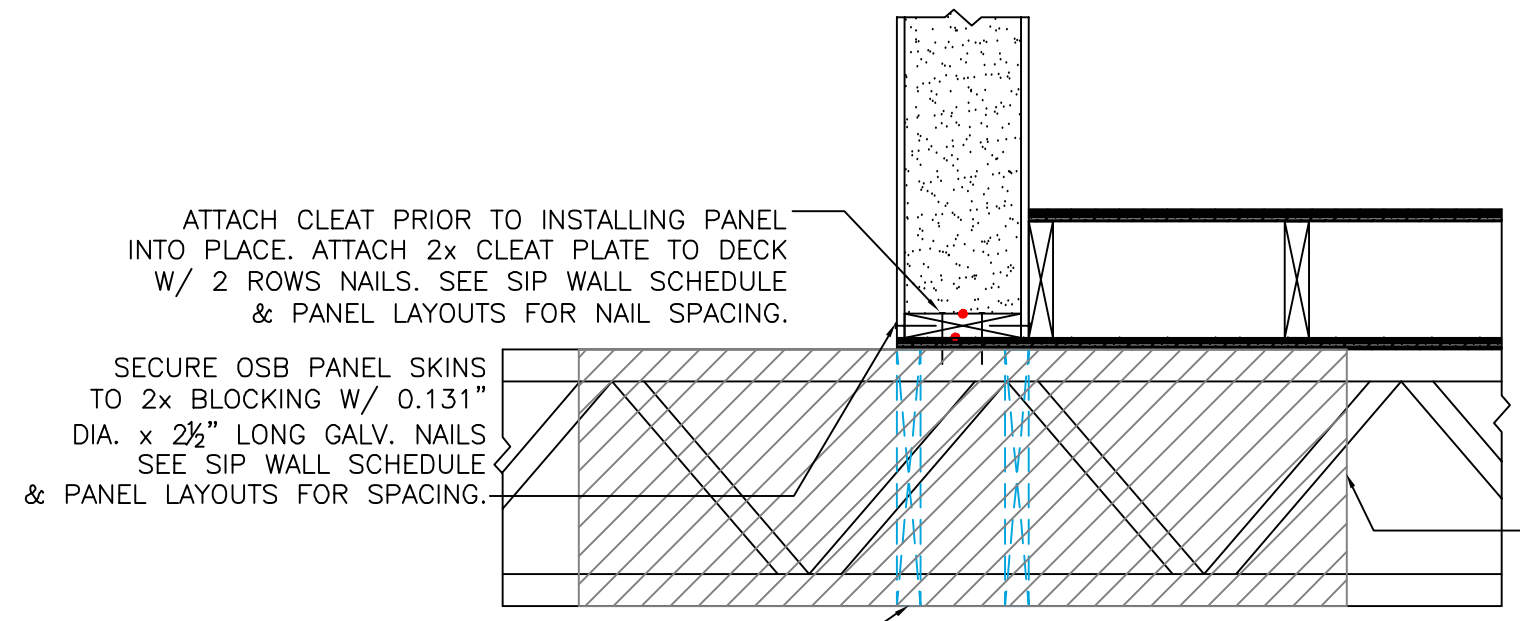
NOTE: ALL RED DOTS - APPLY CONTINUOUS 3/8" DIA. BEAD OF MASTIC SEALANT BETWEEN 2x MEMBER & PANEL FOAM.
 3rd FLOOR EDGE OF DECK TO BRACING BEAM IN SIP
 SCALE: 1" = 1'-0"

ATTACH CLEAT PRIOR TO INSTALLING PANEL INTO PLACE. ATTACH 2x CLEAT PLATE TO DECK W/ 2 ROWS NAILS. SEE SIP WALL SCHEDULE & PANEL LAYOUTS FOR NAIL SPACING.



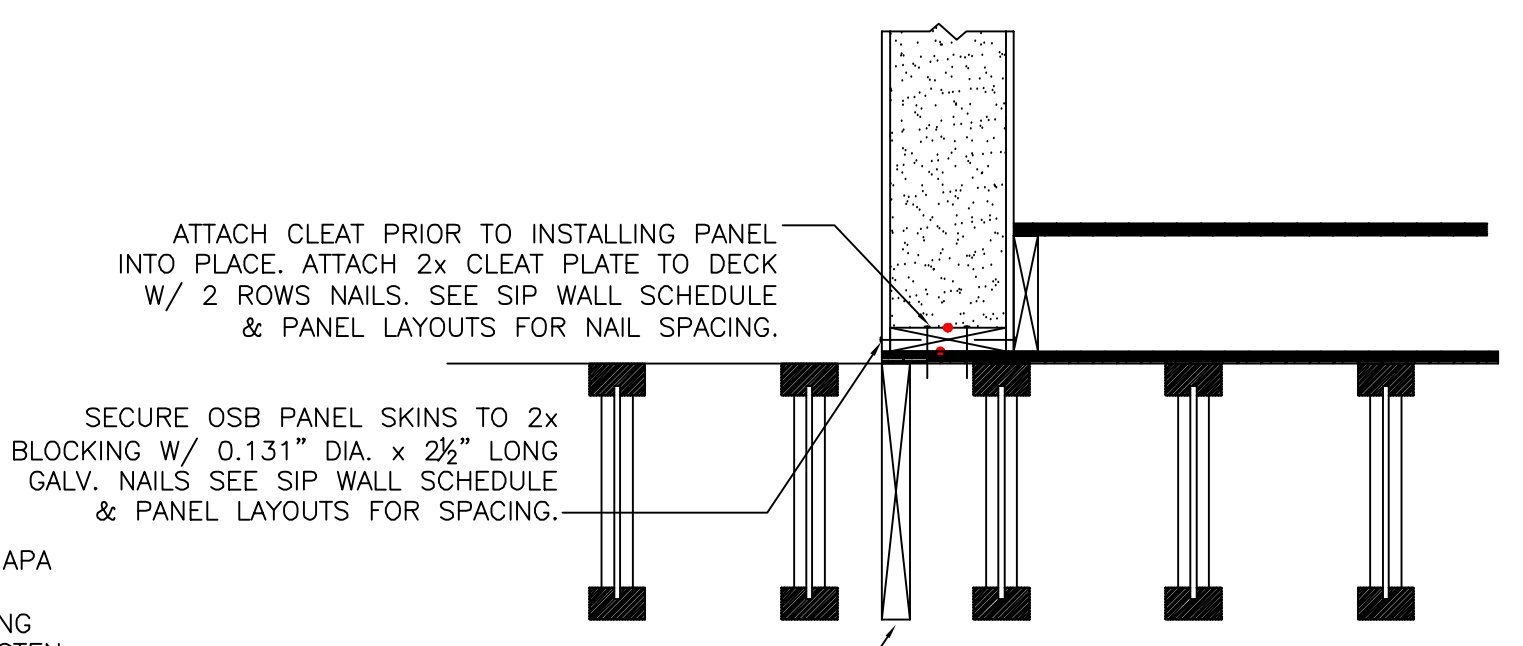
NOTE: ALL RED DOTS - APPLY CONTINUOUS 3/8" DIA. BEAD OF MASTIC SEALANT BETWEEN 2x MEMBER & PANEL FOAM.
 4th FLOOR TRANSITION TO GARAGE END PORCH
 SCALE: 1" = 1'-0"

ATTACH CLEAT PRIOR TO INSTALLING PANEL INTO PLACE. ATTACH 2x CLEAT PLATE TO DECK W/ 2 ROWS NAILS. SEE SIP WALL SCHEDULE & PANEL LAYOUTS FOR NAIL SPACING.
 SECURE OSB PANEL SKINS TO 2x BLOCKING W/ 0.131" DIA. x 2 1/2" LONG GALV. NAILS SEE SIP WALL SCHEDULE & PANEL LAYOUTS FOR SPACING.

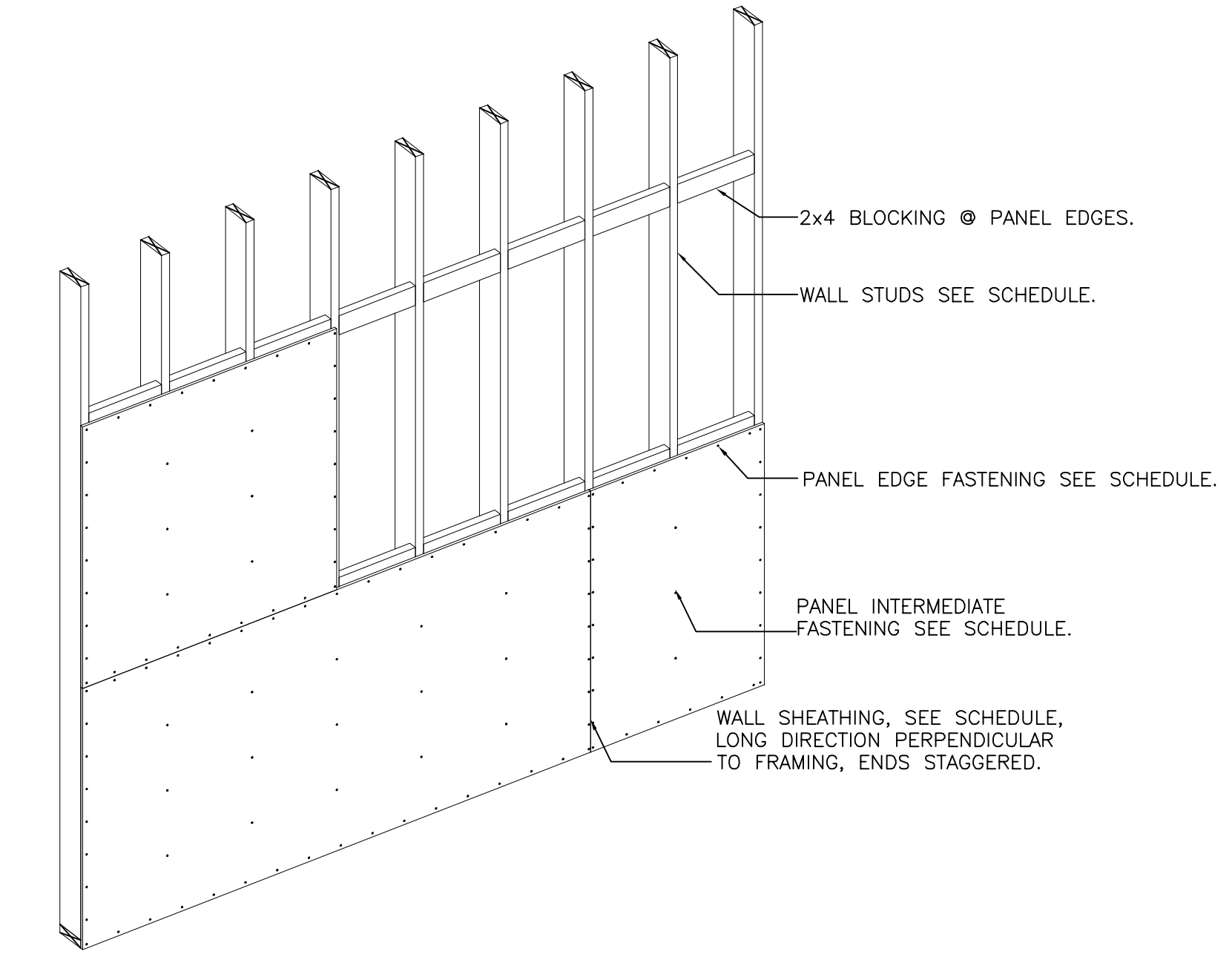


NOTE: ALL RED DOTS - APPLY CONTINUOUS 3/8" DIA. BEAD OF MASTIC SEALANT BETWEEN 2x MEMBER & PANEL FOAM.
 4th FLOOR TRANSITION TO NORTH WALL PORCH
 SCALE: 1" = 1'-0"

ATTACH CLEAT PRIOR TO INSTALLING PANEL INTO PLACE. ATTACH 2x CLEAT PLATE TO DECK W/ 2 ROWS NAILS. SEE SIP WALL SCHEDULE & PANEL LAYOUTS FOR NAIL SPACING.



NOTE: ALL RED DOTS - APPLY CONTINUOUS 3/8" DIA. BEAD OF MASTIC SEALANT BETWEEN 2x MEMBER & PANEL FOAM.
 4th FLOOR TRANSITION TO GARAGE END PORCH
 SCALE: 1" = 1'-0"



SHEAR WALL BLOCKING DETAIL
 SCALE: NTA

JOIST WEB REINFORCING. APPLY 7/8" APA RATED OSB BOTH SIDES, 4'0" LONG, CENTERED UNDER WALL ABOVE. STRONG AXIS OF OSB PARALLEL TO JOIST. FASTEN OSB TO JOIST WITH ADHESIVE & 0.131" x 2 1/2" NAILS @ 3" O.C.

LVL BLOCKING BETWEEN JOISTS.

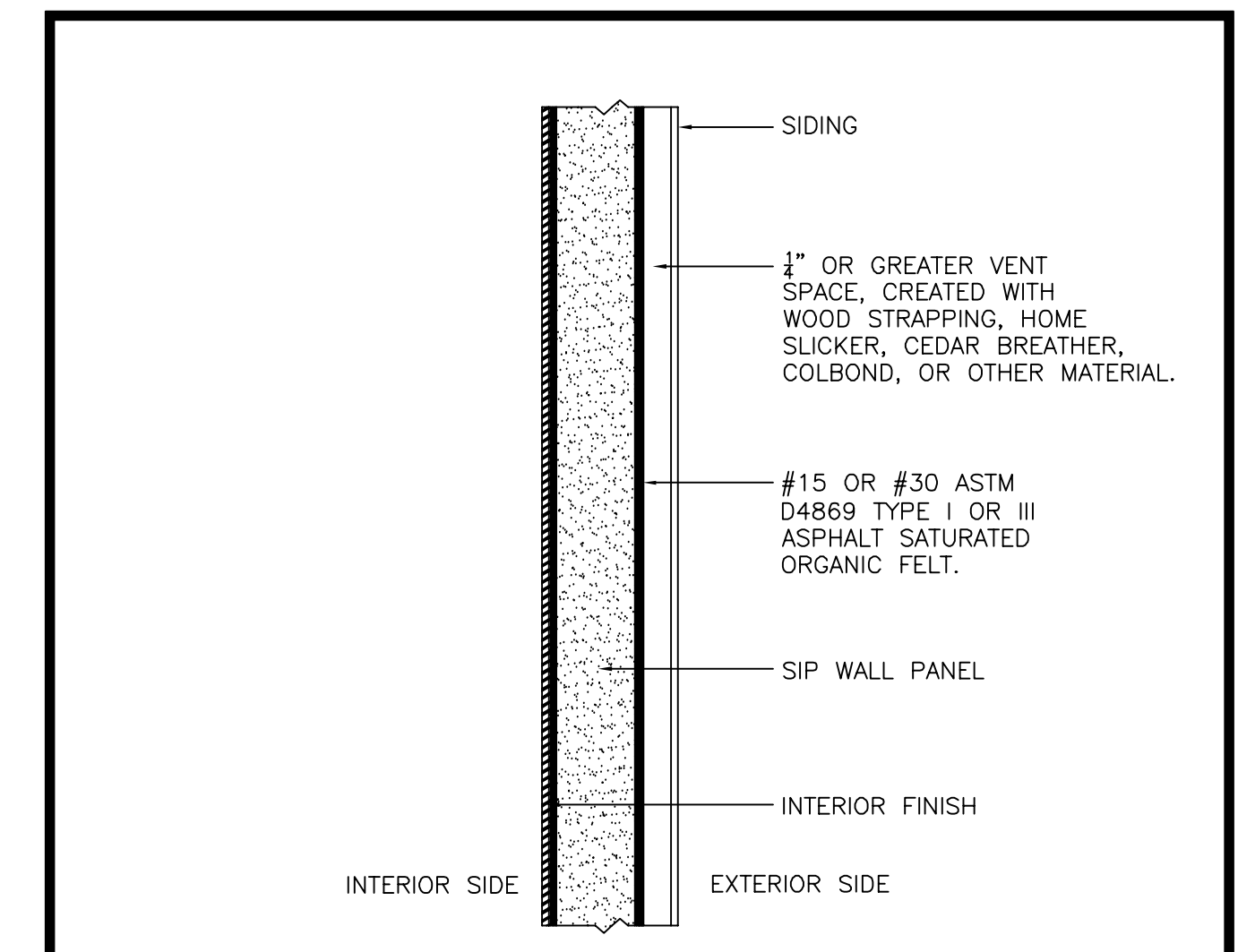
NOTE: ALL RED DOTS - APPLY CONTINUOUS 3/8" DIA. BEAD OF MASTIC SEALANT BETWEEN 2x MEMBER & PANEL FOAM.
 4th FLOOR TRANSITION TO NORTH WALL PORCH
 SCALE: 1" = 1'-0"

SECURE OSB PANEL SKINS TO 2x BLOCKING W/ 0.131" DIA. x 2 1/2" LONG GALV. NAILS SEE SIP WALL SCHEDULE & PANEL LAYOUTS FOR SPACING.

LVL, SEE PLAN

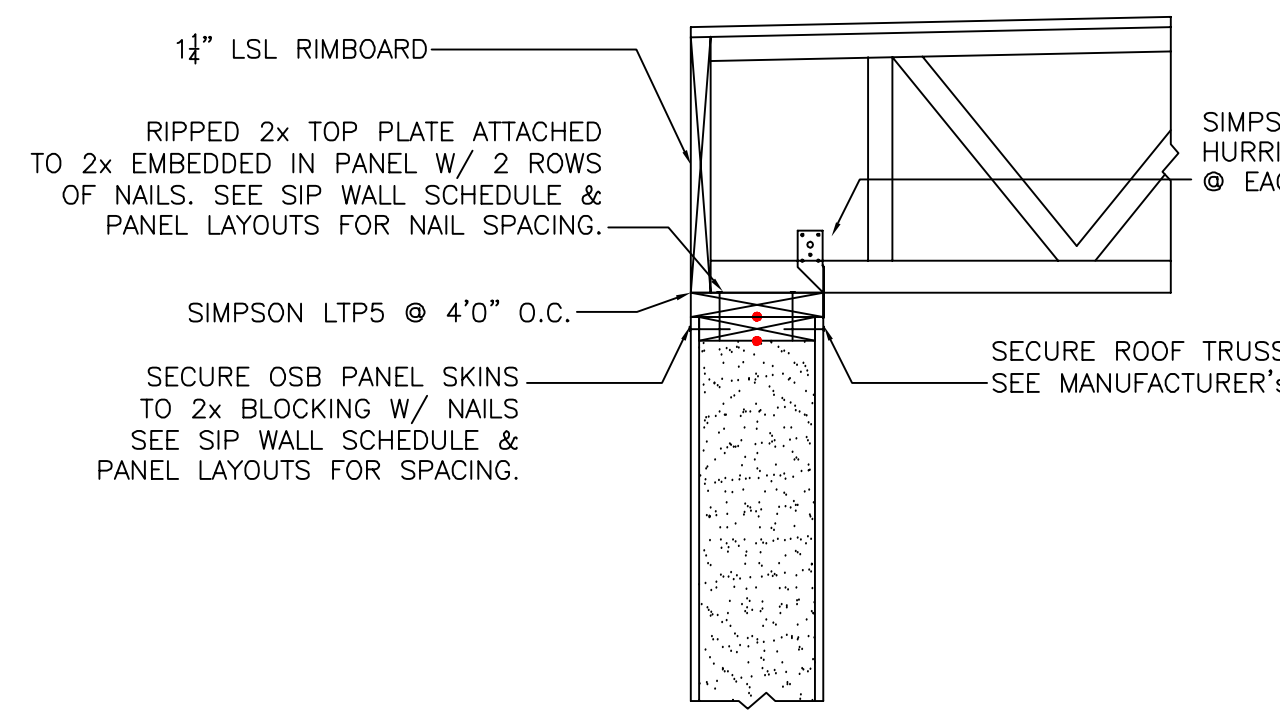
NOTE: ALL RED DOTS - APPLY CONTINUOUS 3/8" DIA. BEAD OF MASTIC SEALANT BETWEEN 2x MEMBER & PANEL FOAM.
 4th FLOOR TRANSITION TO GARAGE END PORCH
 SCALE: 1" = 1'-0"

FPI's RECOMMENDED EXTERIOR FINISH FOR WALL PANELS



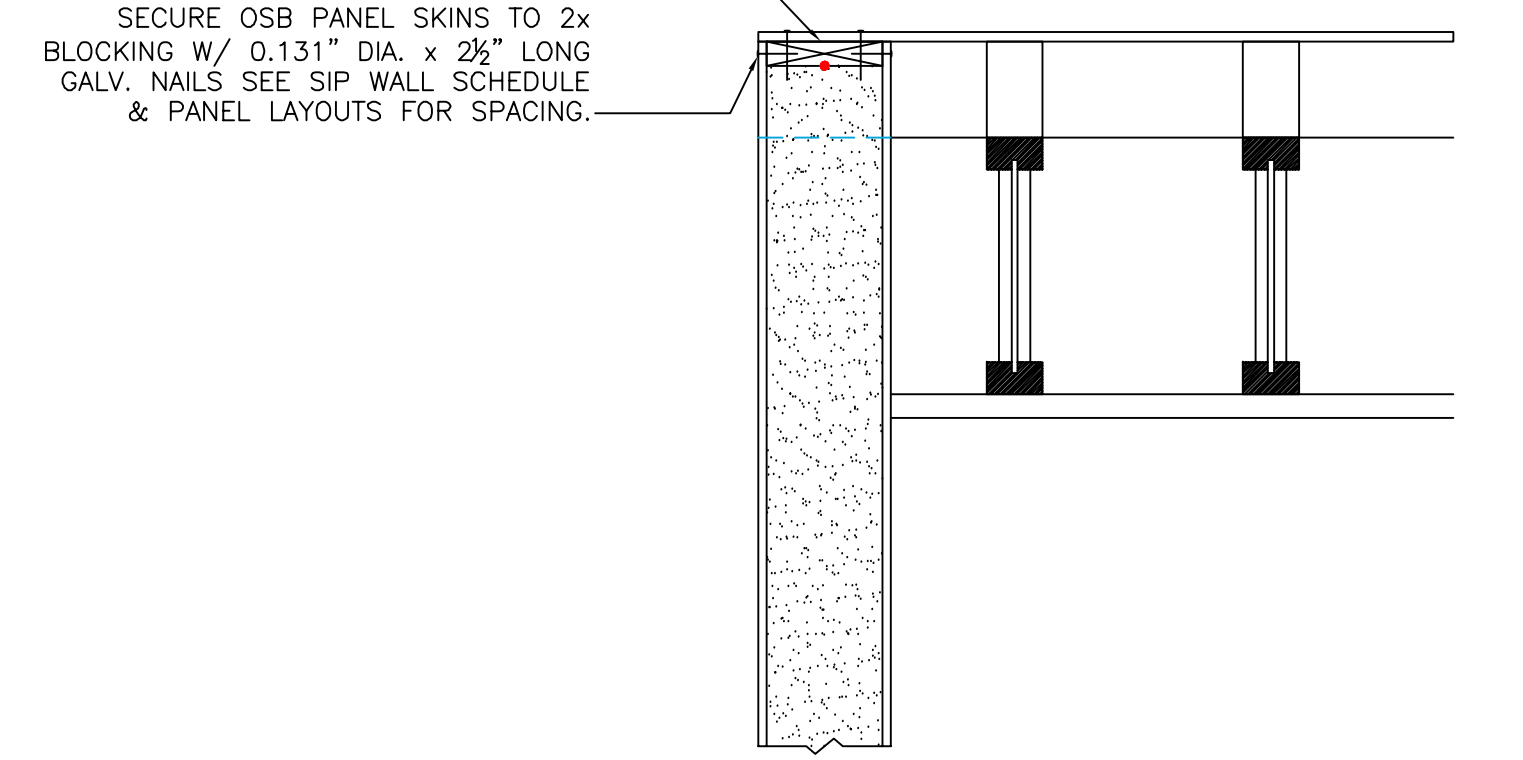
NOTE: THIS DETAIL IS FPI'S STANDARD RECOMMENDATION OF BEST PRACTICES FOR PANEL BUILDINGS ONLY & MAY NOT MATCH THE EXACT CONFIGURATION OF YOUR BUILDING PROJECT. PLEASE CONTACT THE FPI TECHNICAL DEPARTMENT FOR ALL QUESTIONS & CONCERNS ABOUT HIGH PERFORMANCE BUILDINGS & RECOMMENDED FINISH DETAILS.

1 1/2" LSL RIMBOARD
 RIPPED 2x TOP PLATE ATTACHED TO 2x EMBEDDED IN PANEL W/ 2 ROWS OF NAILS. SEE SIP WALL SCHEDULE & PANEL LAYOUTS FOR NAIL SPACING.
 SIMPSON H2.5A HURRICANE TIE @ EACH TRUSS.
 SIMPSON LTP5 @ 4'0" O.C.
 SECURE OSB PANEL SKINS TO 2x BLOCKING W/ NAILS SEE SIP WALL SCHEDULE & PANEL LAYOUTS FOR SPACING.
 SECURE ROOF TRUSSES TO TOP OF WALL. SEE MANUFACTURER'S SPECIFICATIONS



NOTE: ALL RED DOTS - APPLY CONTINUOUS 3/8" DIA. BEAD OF MASTIC SEALANT BETWEEN 2x MEMBER & PANEL FOAM.
 TRUSS EAVE CONNECTION DETAIL
 SCALE: 1" = 1'-0"

ATTACH SHEATHING TO BLOCKING W/ (2) ROWS 0.148"x3" NAILS @ 6" O.C.
 SECURE OSB PANEL SKINS TO 2x BLOCKING W/ 0.131" DIA. x 2 1/2" LONG GALV. NAILS SEE SIP WALL SCHEDULE & PANEL LAYOUTS FOR SPACING.



NOTE: ALL RED DOTS - APPLY CONTINUOUS 3/8" DIA. BEAD OF MASTIC SEALANT BETWEEN 2x MEMBER & PANEL FOAM.
 TRUSS RAKE CONNECTION DETAIL
 SCALE: 1" = 1'-0"