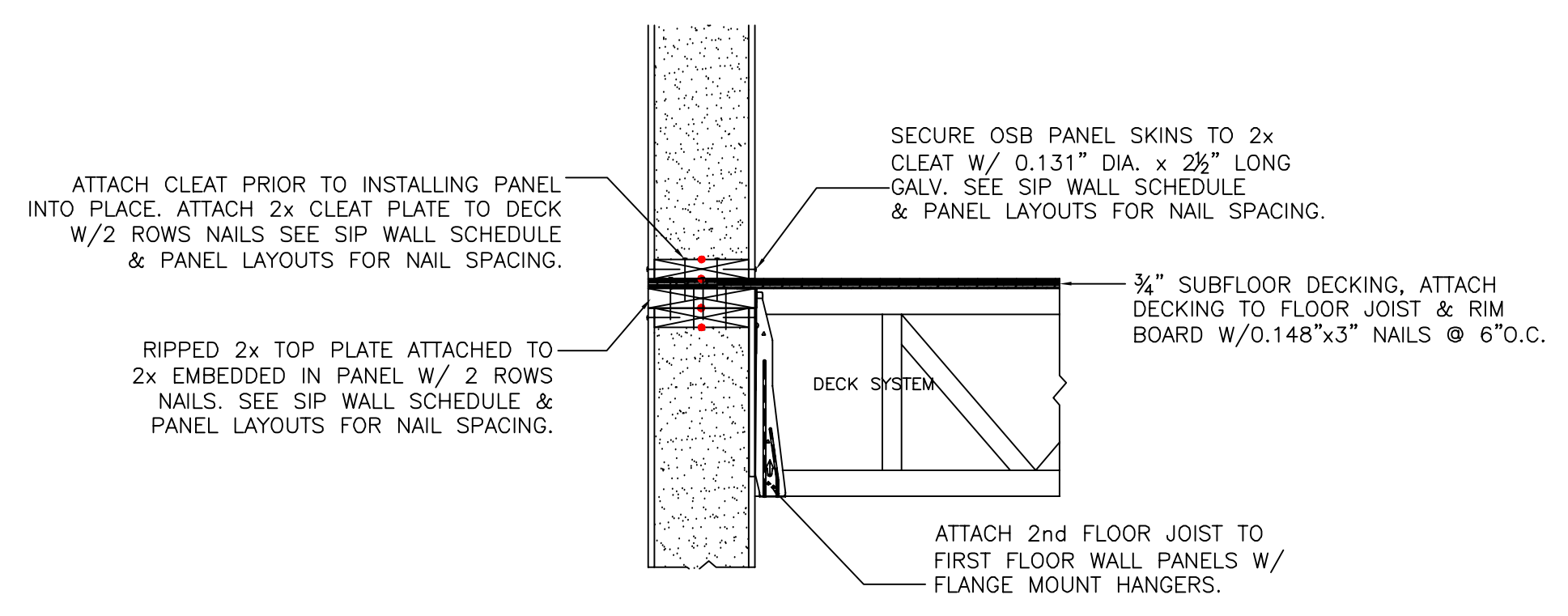




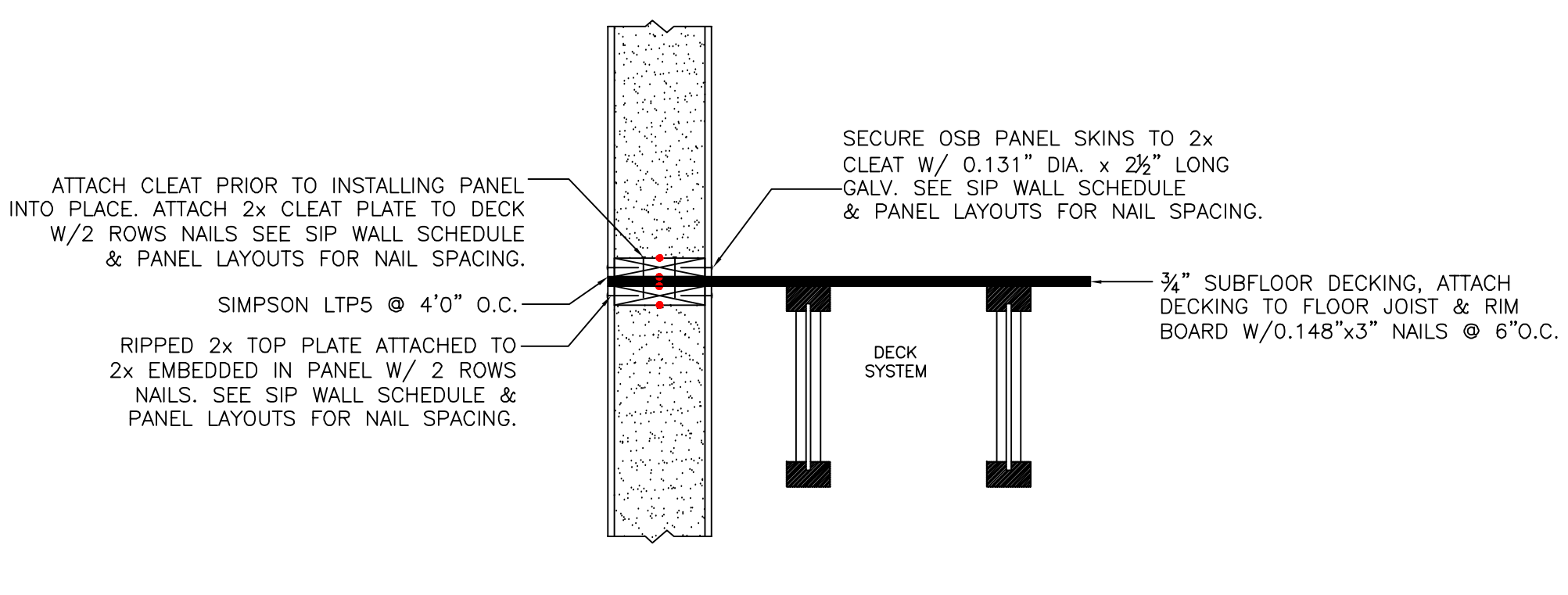
© 2017  
 THIS DRAWING IS THE SOLE & EXCLUSIVE PROPERTY OF FOARD PANEL, INC. & MAY NOT BE REPRODUCED OR PUBLISHED IN ANY MANNER WHATSOEVER WITHOUT THE EXPRESSED WRITTEN CONSENT OF FOARD PANEL, INC.

DETAILS ARE TYPICAL OF STANDARD CONDITIONS AND MAY NOT APPLY IN ALL SITUATIONS. PLEASE CONTACT FPI TECHNICAL DEPARTMENT FOR QUESTIONS AND/OR CONCERNS.



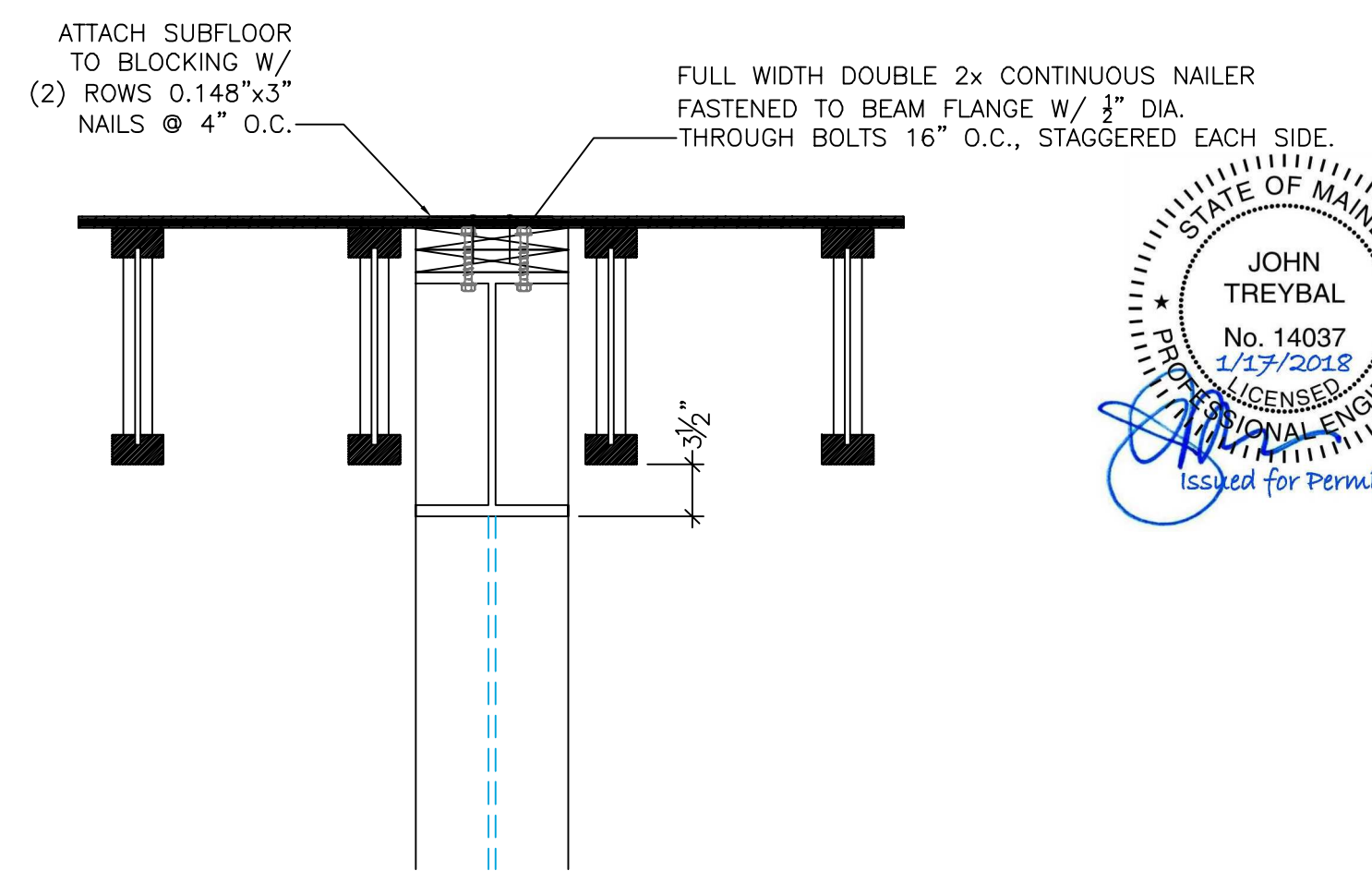
NOTE: ALL RED DOTS - APPLY CONTINUOUS 3/8\"/>

TYPICAL FLOOR DECK ATTACHMENT DETAIL (18)  
 SCALE: 1" = 1'-0"

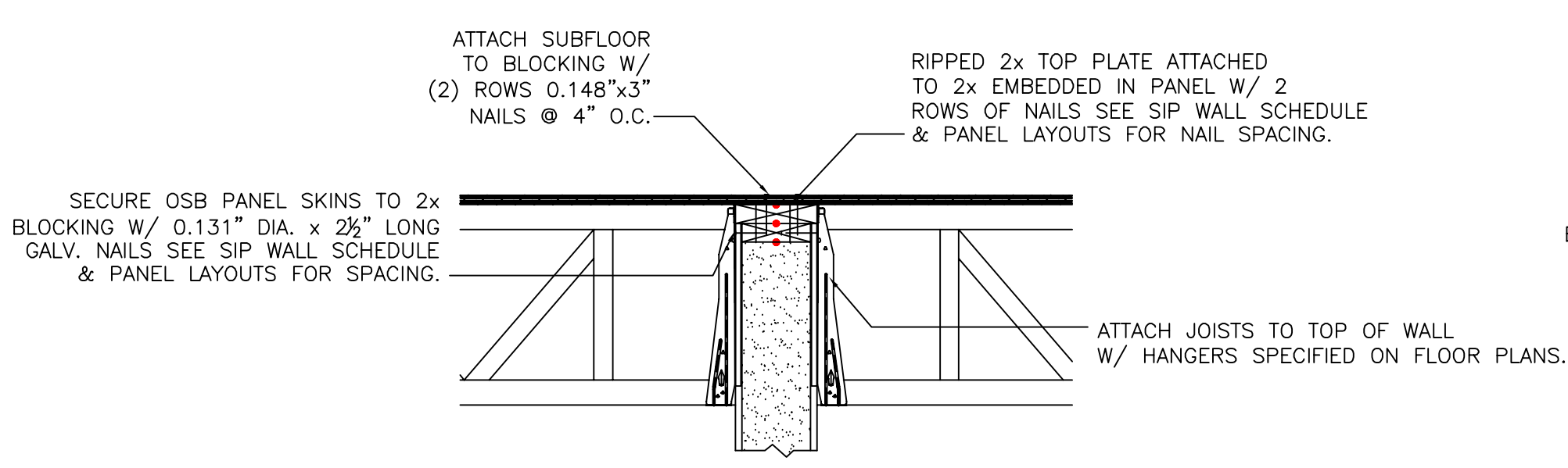


NOTE: ALL RED DOTS - APPLY CONTINUOUS 3/8\"/>

TYPICAL FLOOR DECK ATTACHMENT DETAIL (19)  
 SCALE: 1" = 1'-0"

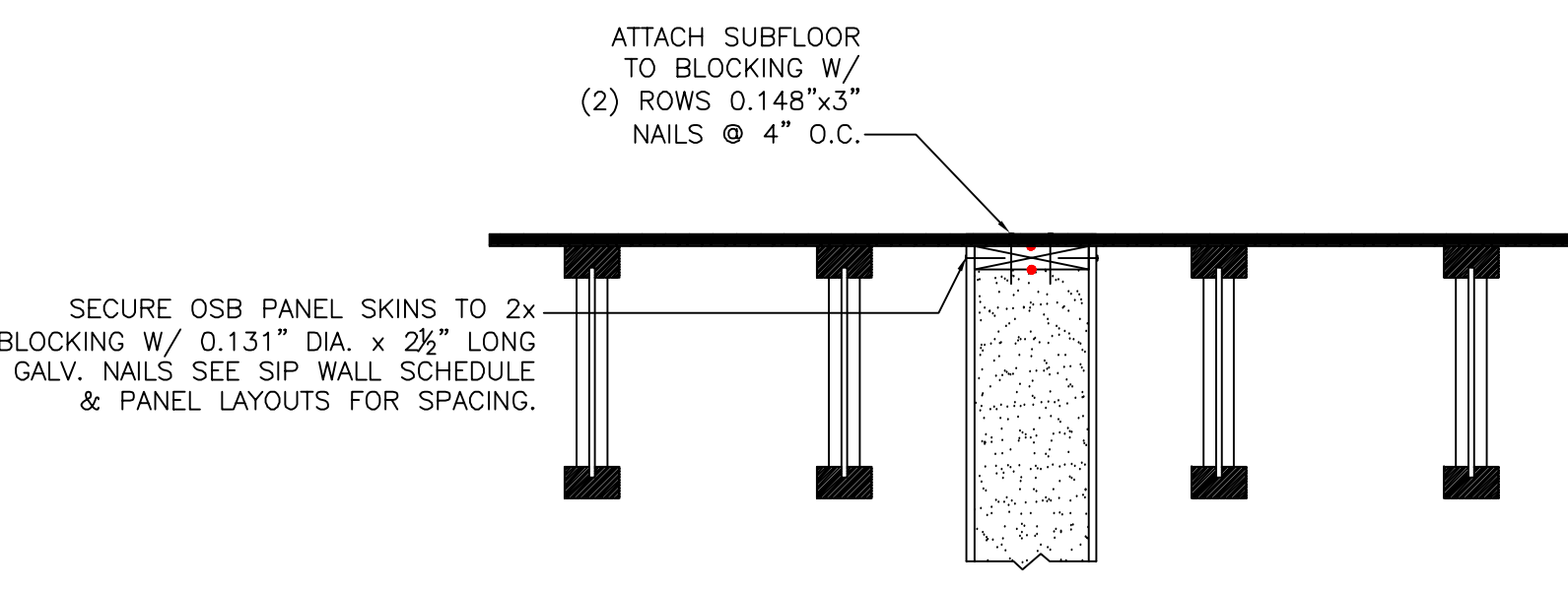


2nd FLOOR DECK MOMENT FRAME (GARAGE CEILING) (20)  
 SCALE: 1" = 1'-0"



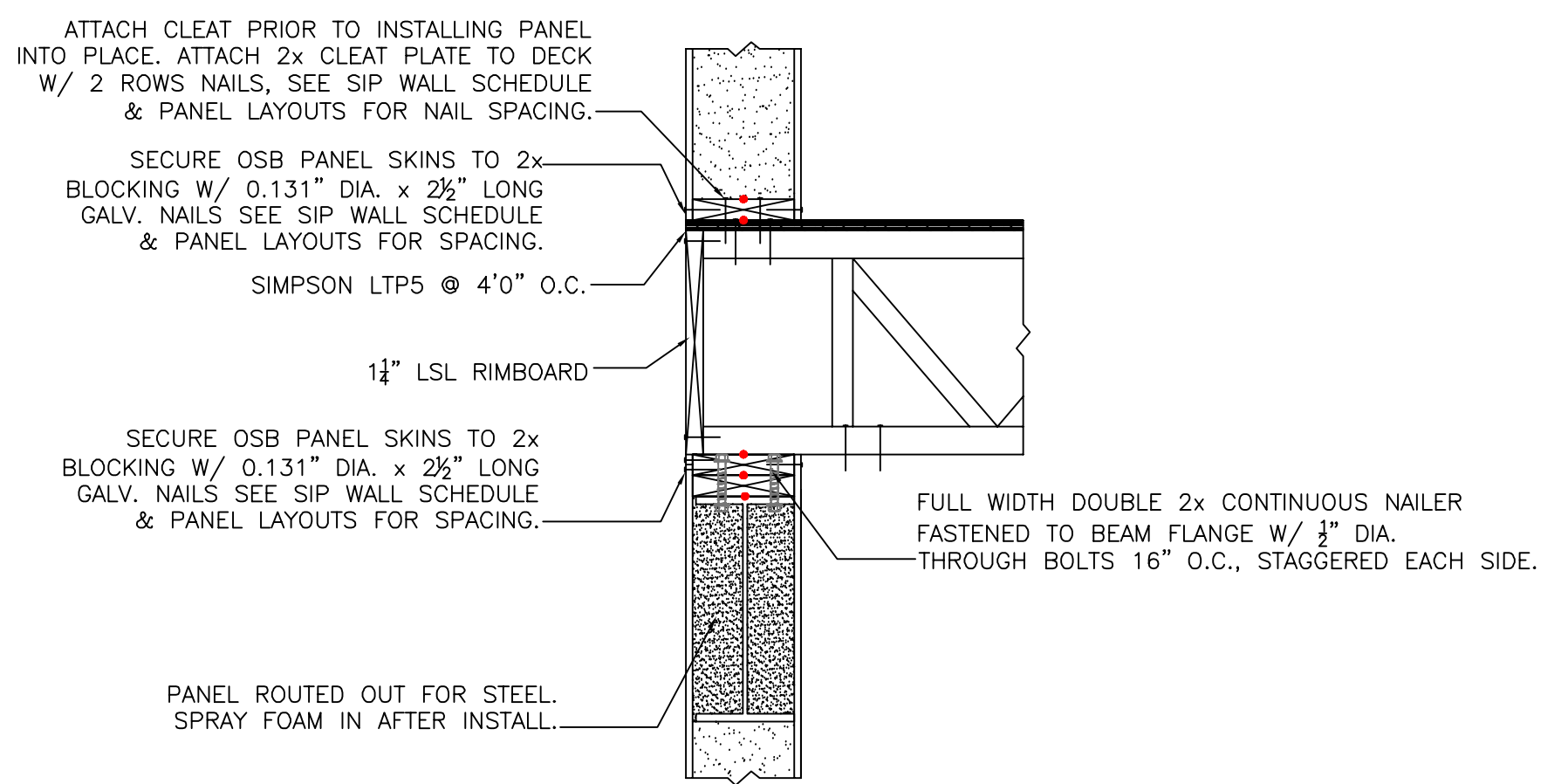
NOTE: ALL RED DOTS - APPLY CONTINUOUS 3/8\"/>

3rd FLOOR DECK DETAIL (21)  
 SCALE: 1" = 1'-0"



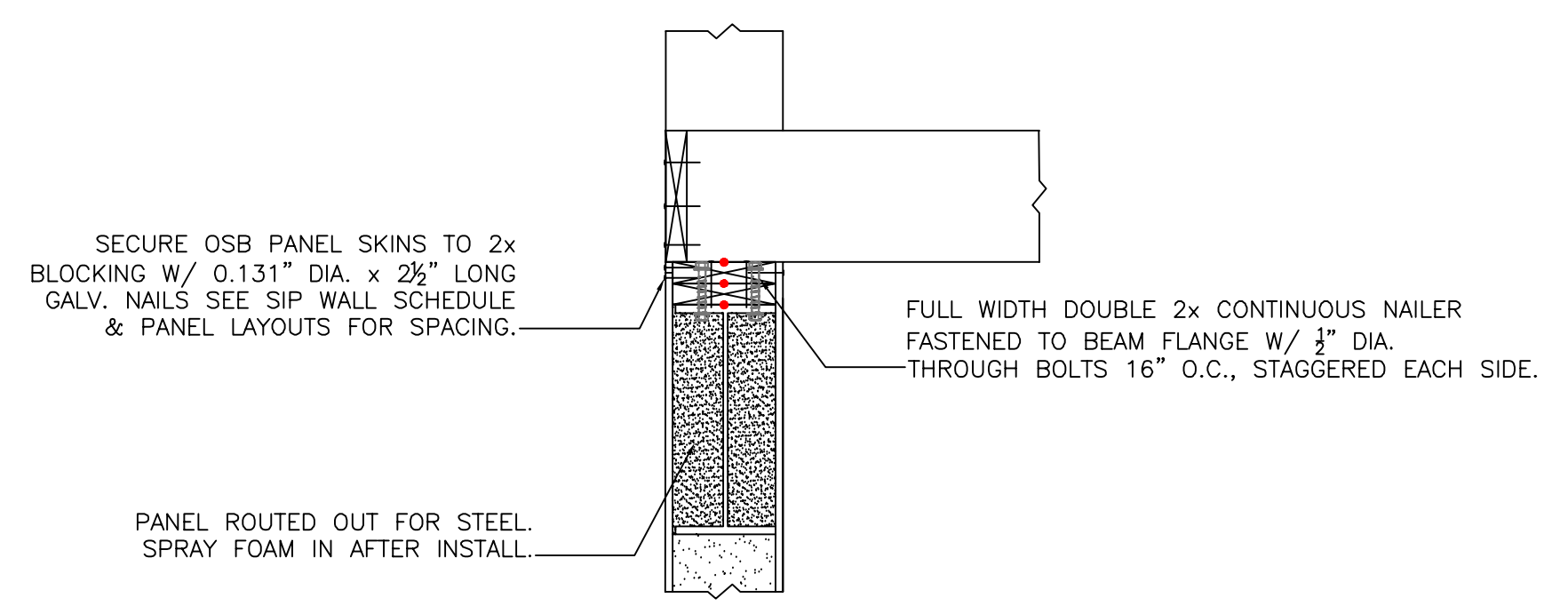
NOTE: ALL RED DOTS - APPLY CONTINUOUS 3/8\"/>

3rd FLOOR DECK DETAIL (22)  
 SCALE: 1" = 1'-0"



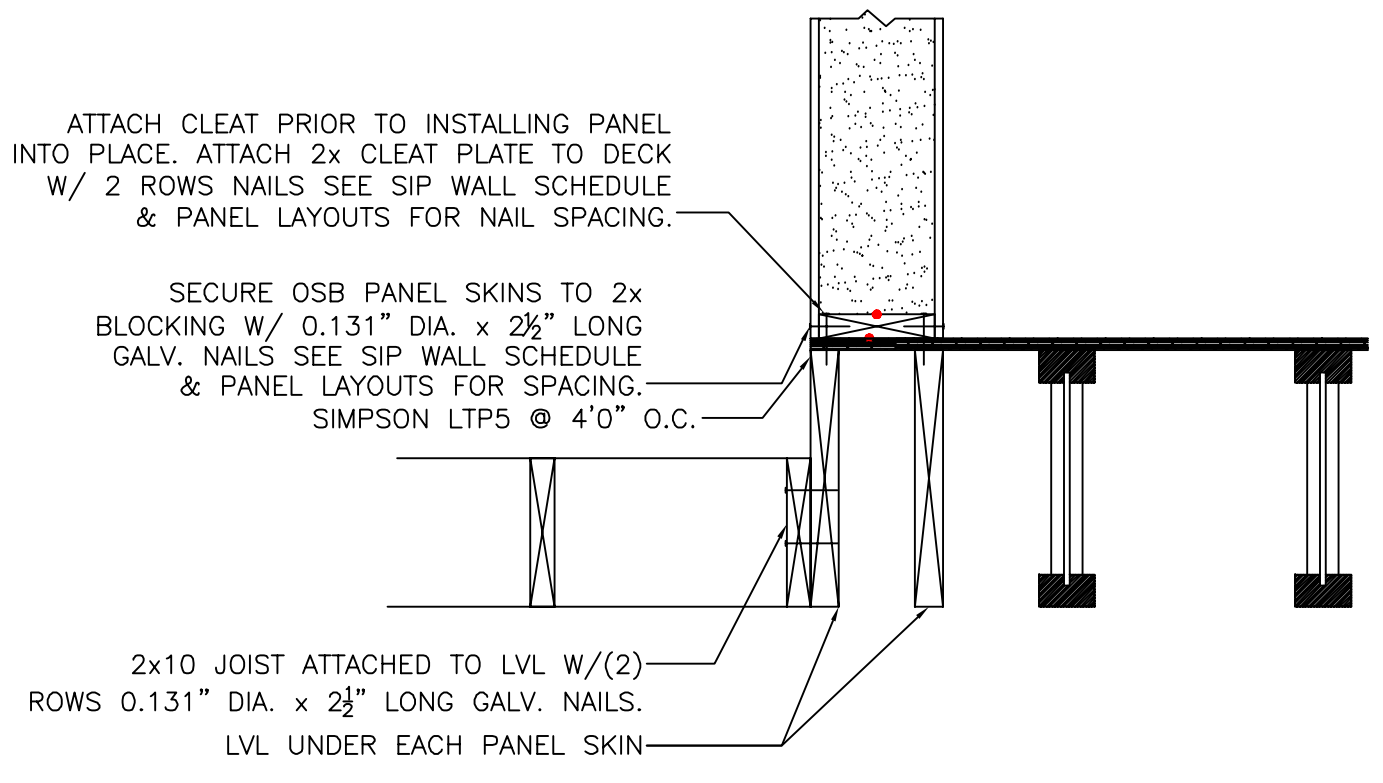
NOTE: ALL RED DOTS - APPLY CONTINUOUS 3/8\"/>

3rd FLOOR DECK OVER GARAGE MOMENT FRAME (23)  
 SCALE: 1" = 1'-0"



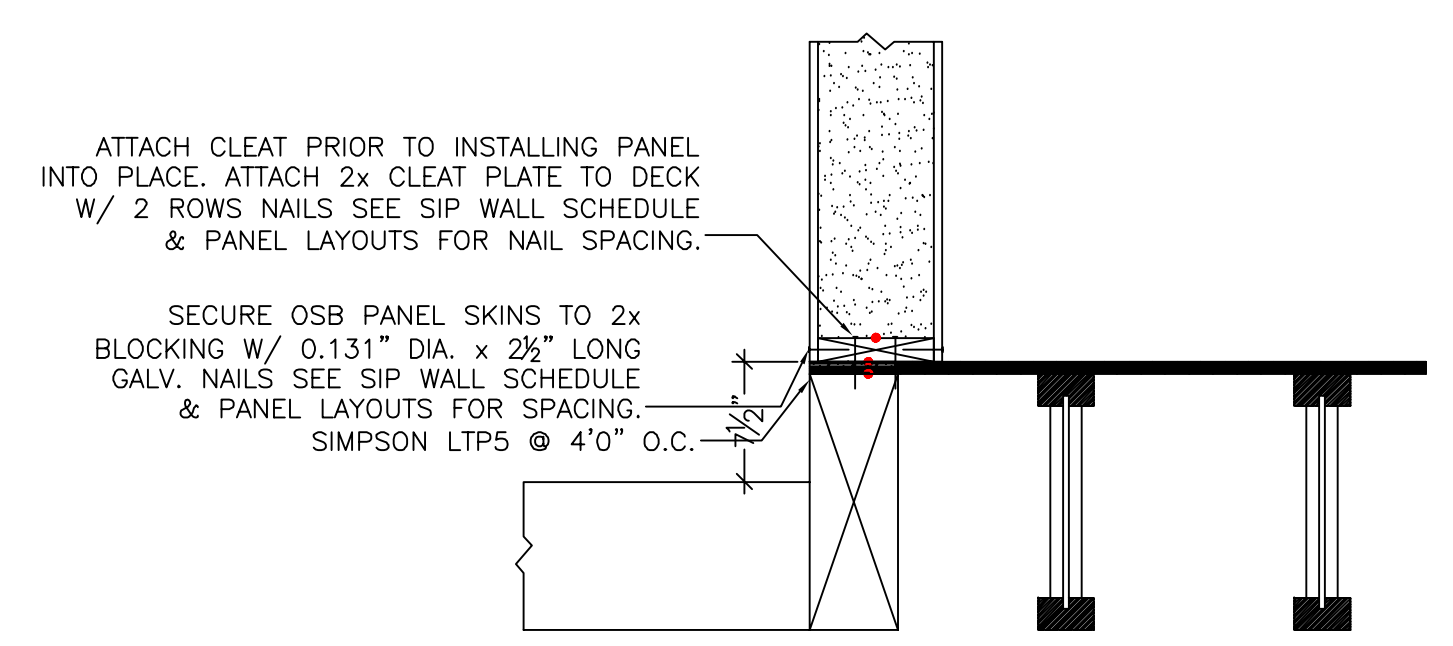
NOTE: ALL RED DOTS - APPLY CONTINUOUS 3/8\"/>

3rd FLOOR PORCH OVER GARAGE MOMENT FRAME (24)  
 SCALE: 1" = 1'-0"



NOTE: ALL RED DOTS - APPLY CONTINUOUS 3/8\"/>

3rd FLOOR TRANSITION TO GARAGE PORCH (25)  
 SCALE: 1" = 1'-0"



NOTE: ALL RED DOTS - APPLY CONTINUOUS 3/8\"/>

3rd FLOOR TRANSITION TO GARAGE PORCH (26)  
 SCALE: 1" = 1'-0"

TITLE: CLEMENTS-KING  
 LOCATION: 48 MERRILL ST. PORTLAND ME

DRAWING TITLE: PANEL LAYOUT DRAWINGS

DRAWN BY: AEM  
 JOB CONTACT: KEVIN @ FOARD PANEL  
 CHECKED BY: JANUARY 17th, 2018

DRAWING NO.

S-24

SHEET NO.

24 of 25