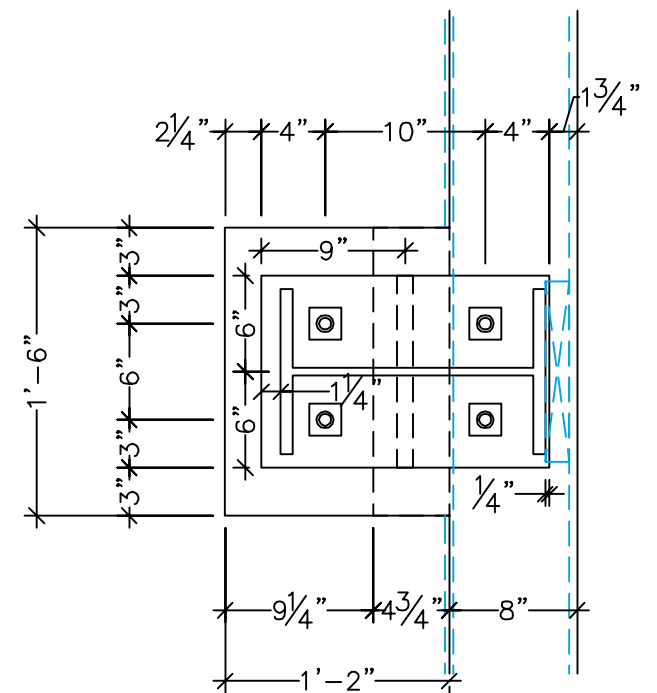
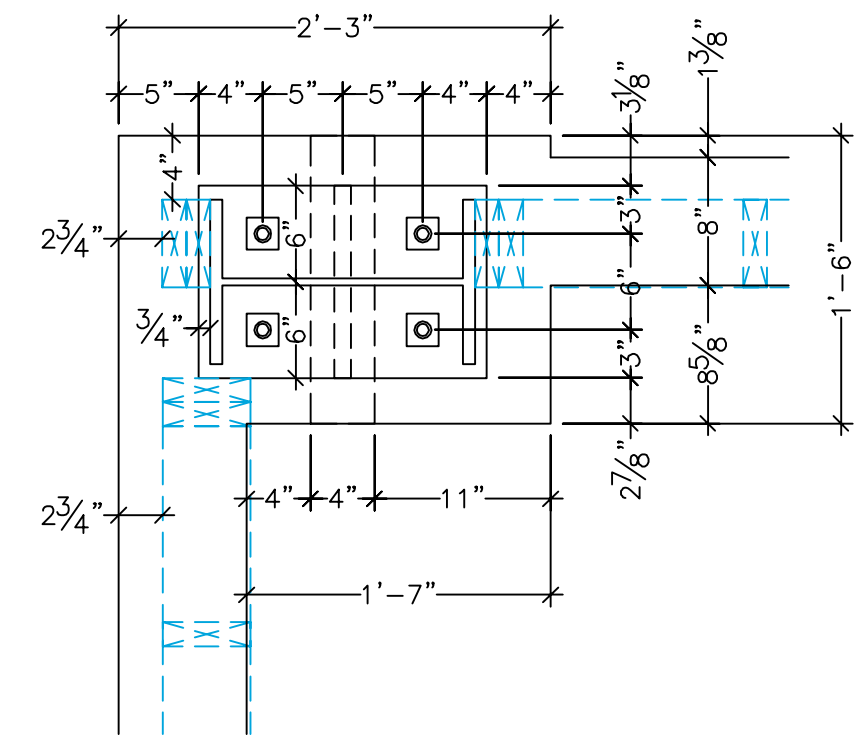


CORNER BRACKET SURFACE 1&2 STAIR CORNER  
SCALE: 1" = 1'-0"

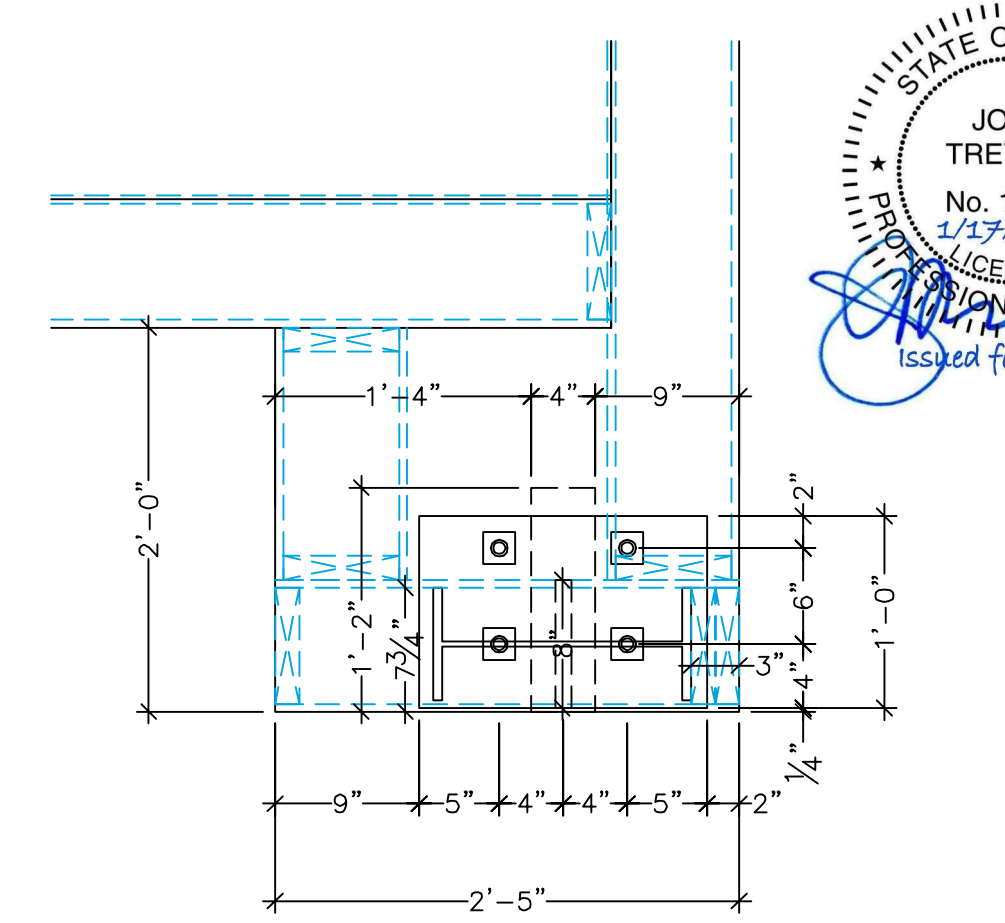
CORNER BRACKET SURFACE 1&2 STAIR CORNER  
SCALE: 1" = 1'-0"



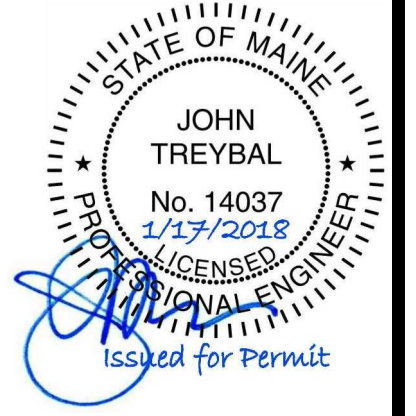
NORTH OF CENTER MOMENT FRAME (SURFACE 15)  
SCALE: 1" = 1'-0"



SOUTH OF CENTER MOMENT FRAME (SURFACE 15)  
SCALE: 1" = 1'-0"



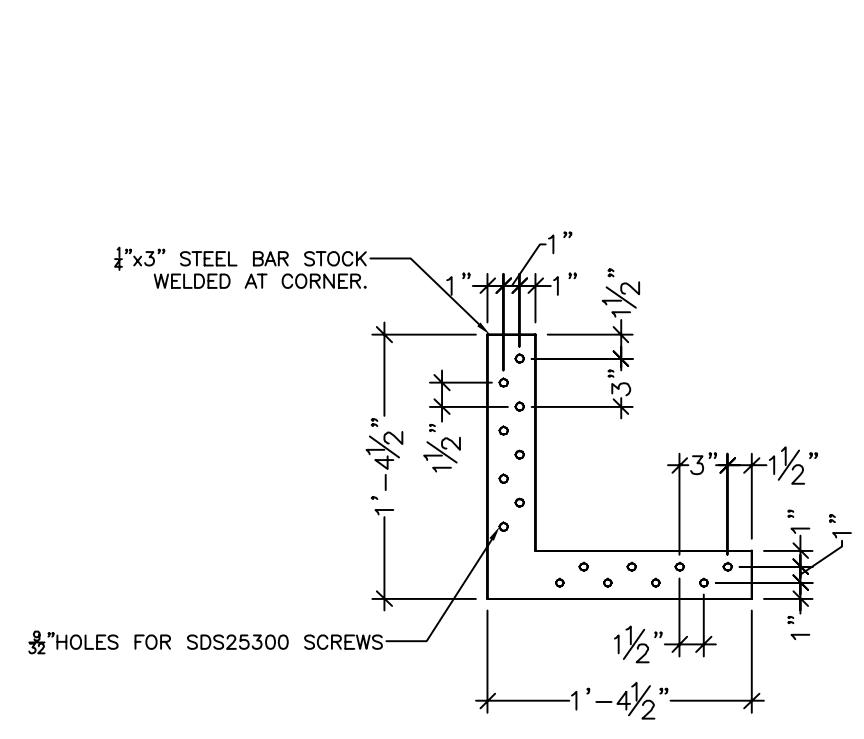
GARAGE MOMENT FRAME (SURFACE 7)  
SCALE: 1" = 1'-0"



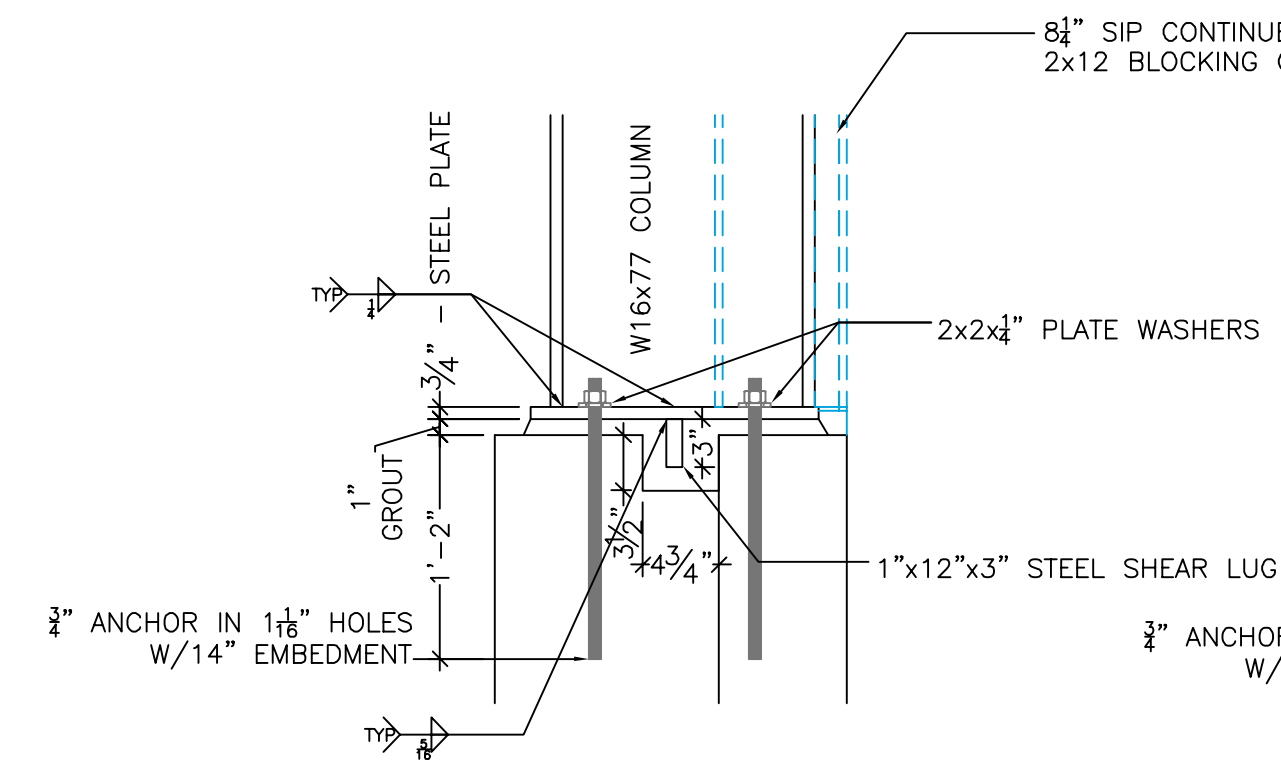
**Foard**  
PANEL  
INCORPORATED  
P.O. Box 185, West Chesterfield, NH 03466  
(603) 256-8800

© 2017  
THIS DRAWING IS THE SOLE & EXCLUSIVE PROPERTY OF FOARD PANEL, INC. & MAY NOT BE REPRODUCED OR PUBLISHED IN ANY MANNER WHATSOEVER WITHOUT THE EXPRESSED WRITTEN CONSENT OF FOARD PANEL, INC.

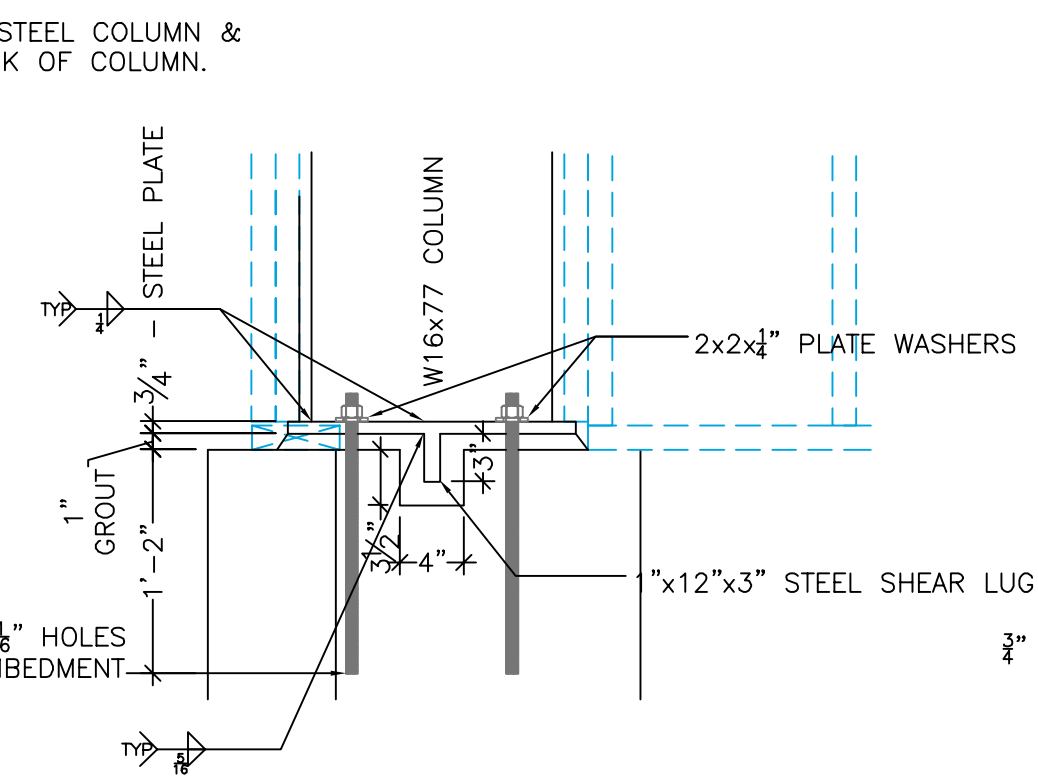
DETAILS ARE TYPICAL OF STANDARD CONDITIONS AND MAY NOT APPLY IN ALL SITUATIONS. PLEASE CONTACT FPI TECHNICAL DEPARTMENT FOR QUESTIONS AND/OR CONCERNS.



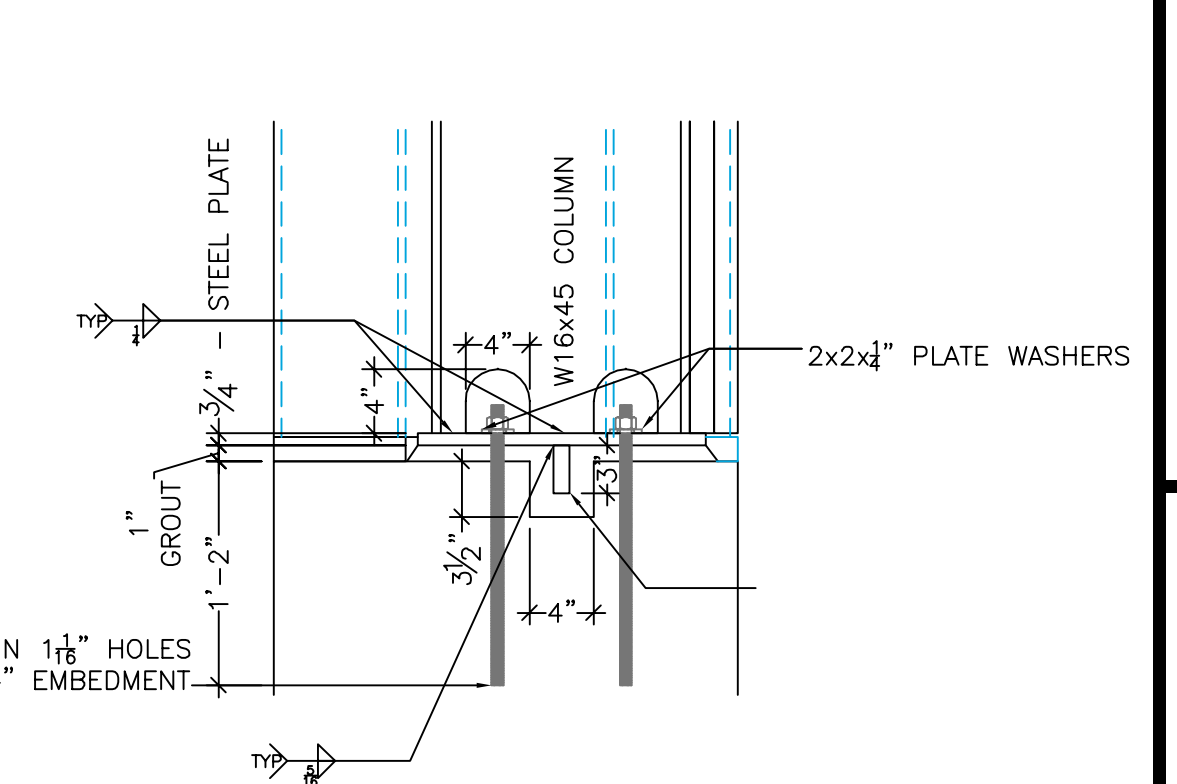
CORNER BRACKET SURFACE 1&2 STAIR CORNER  
SCALE: 1" = 1'-0"



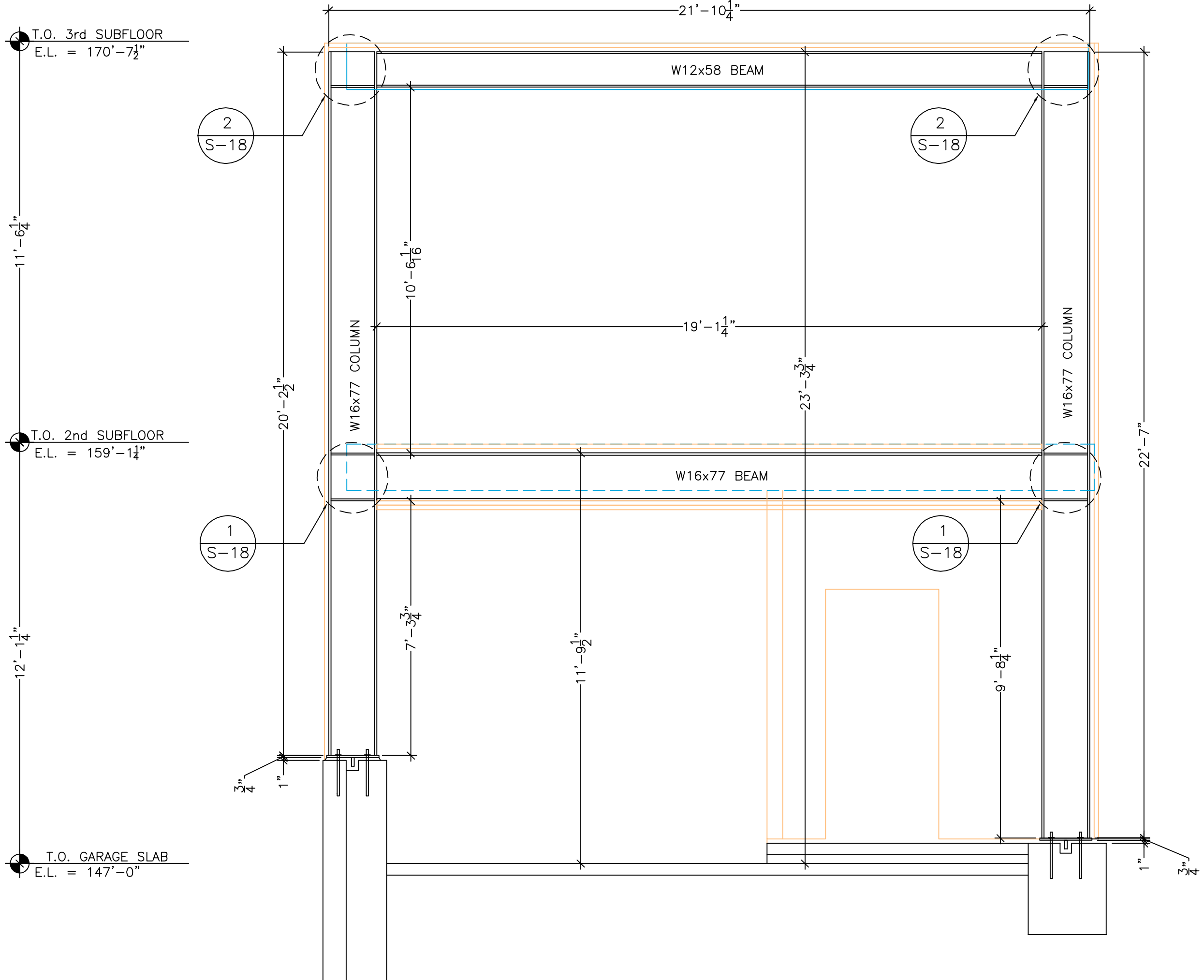
NORTH OF CENTER MOMENT FRAME (SURFACE 15)  
SCALE: 1" = 1'-0"



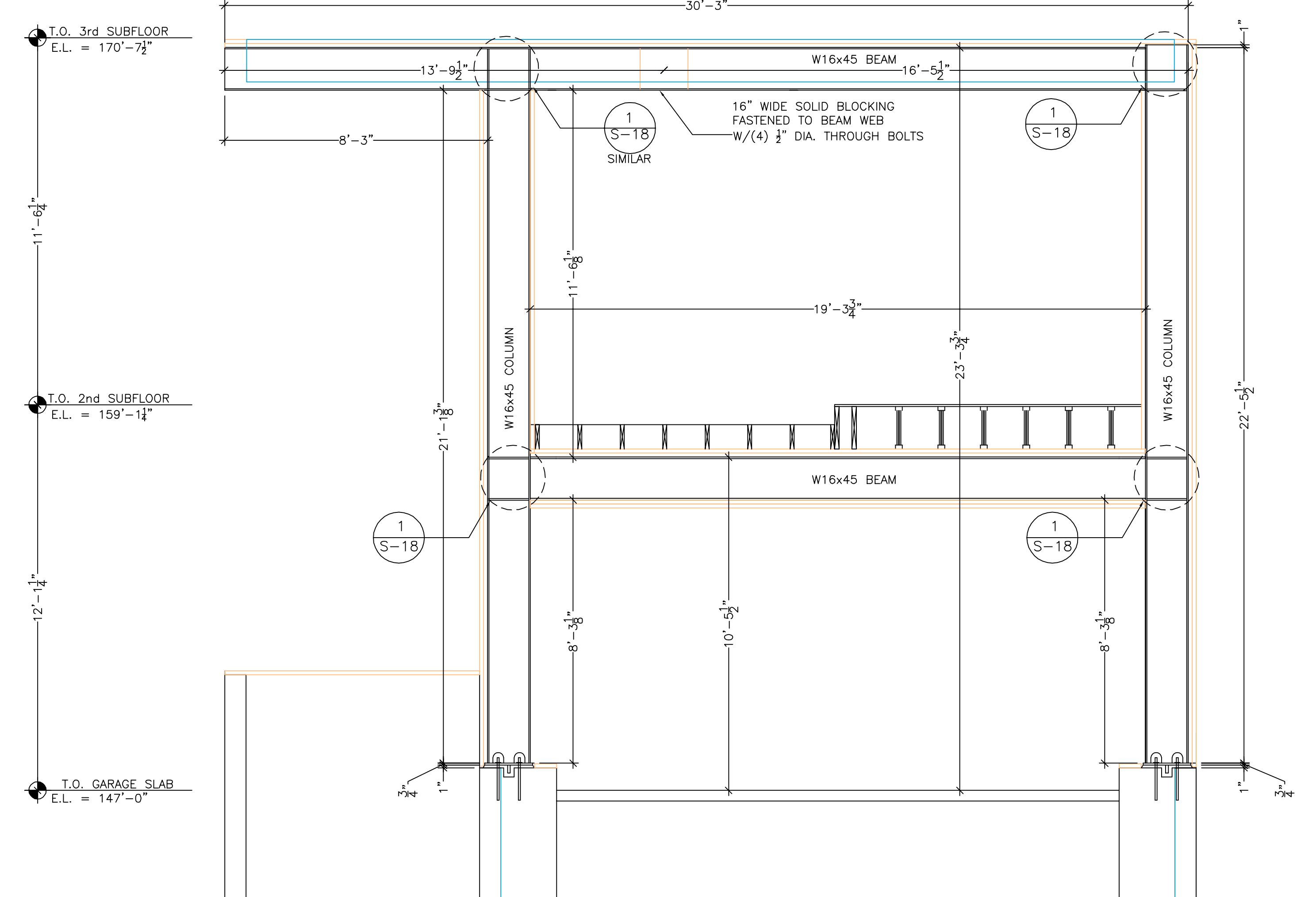
SOUTH OF CENTER MOMENT FRAME (SURFACE 15)  
SCALE: 1" = 1'-0"



GARAGE MOMENT FRAME (SURFACE 7)  
SCALE: 1" = 1'-0"



CENTER STAIR MOMENT FRAME  
SCALE: 3/8" = 1'-0"



GARAGE END MOMENT FRAME  
SCALE: 3/8" = 1'-0"

TITLE: CLEMENTS-KING  
LOCATION: 48 MERRILL ST. PORTLAND ME  
DRAWING TITLE: PANEL LAYOUT DRAWINGS  
DRAWN BY: AEM JOB CONTACT: KEVIN @ FOARD PANEL  
CHECKED BY: DATE: JANUARY 17th, 2018

DRAWING NO. S-18  
SHEET NO.