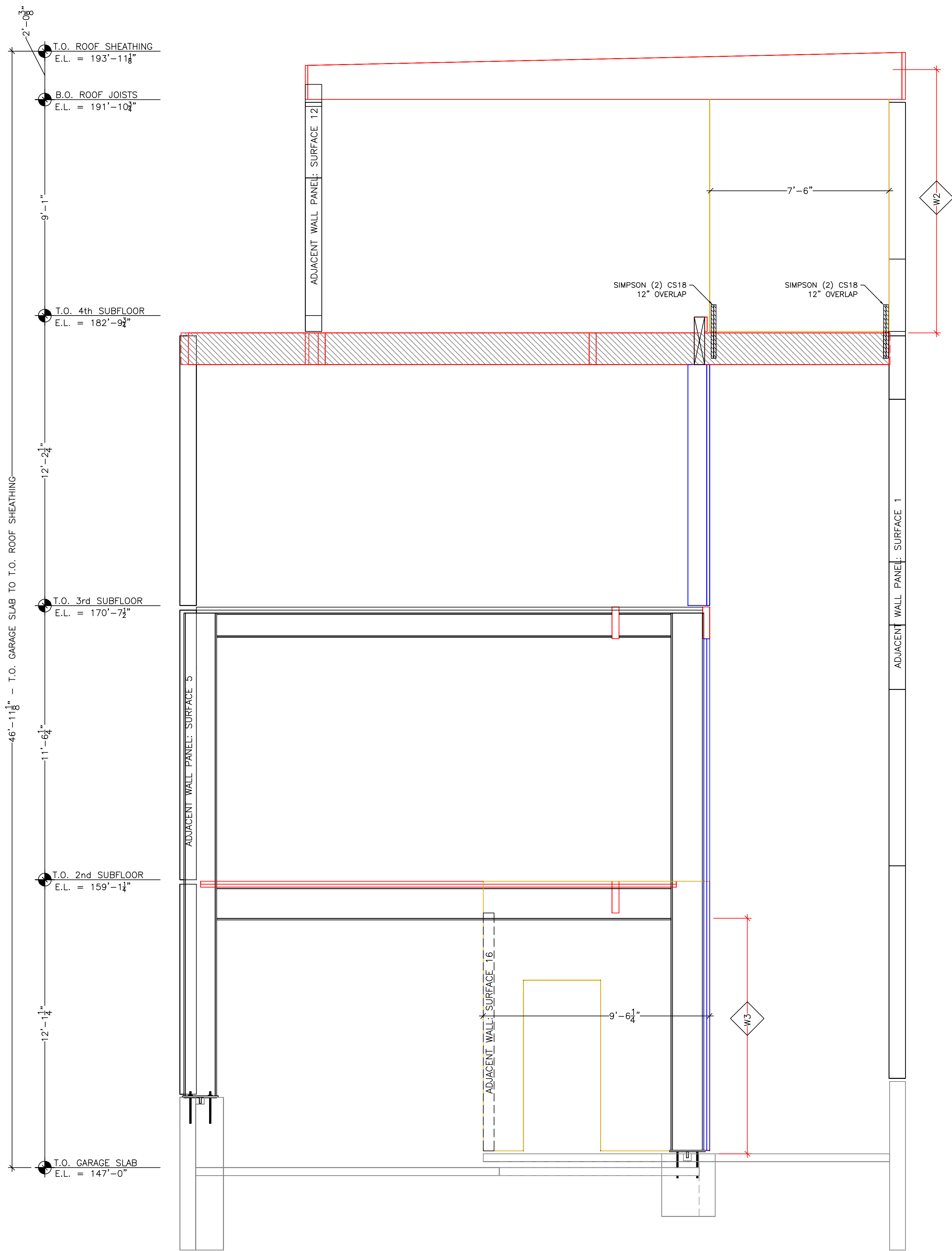


Foard
P A N E L
 Incorporated
 P.O. Box 185, West Chesterfield, NH 03466
 (603) 256-8800

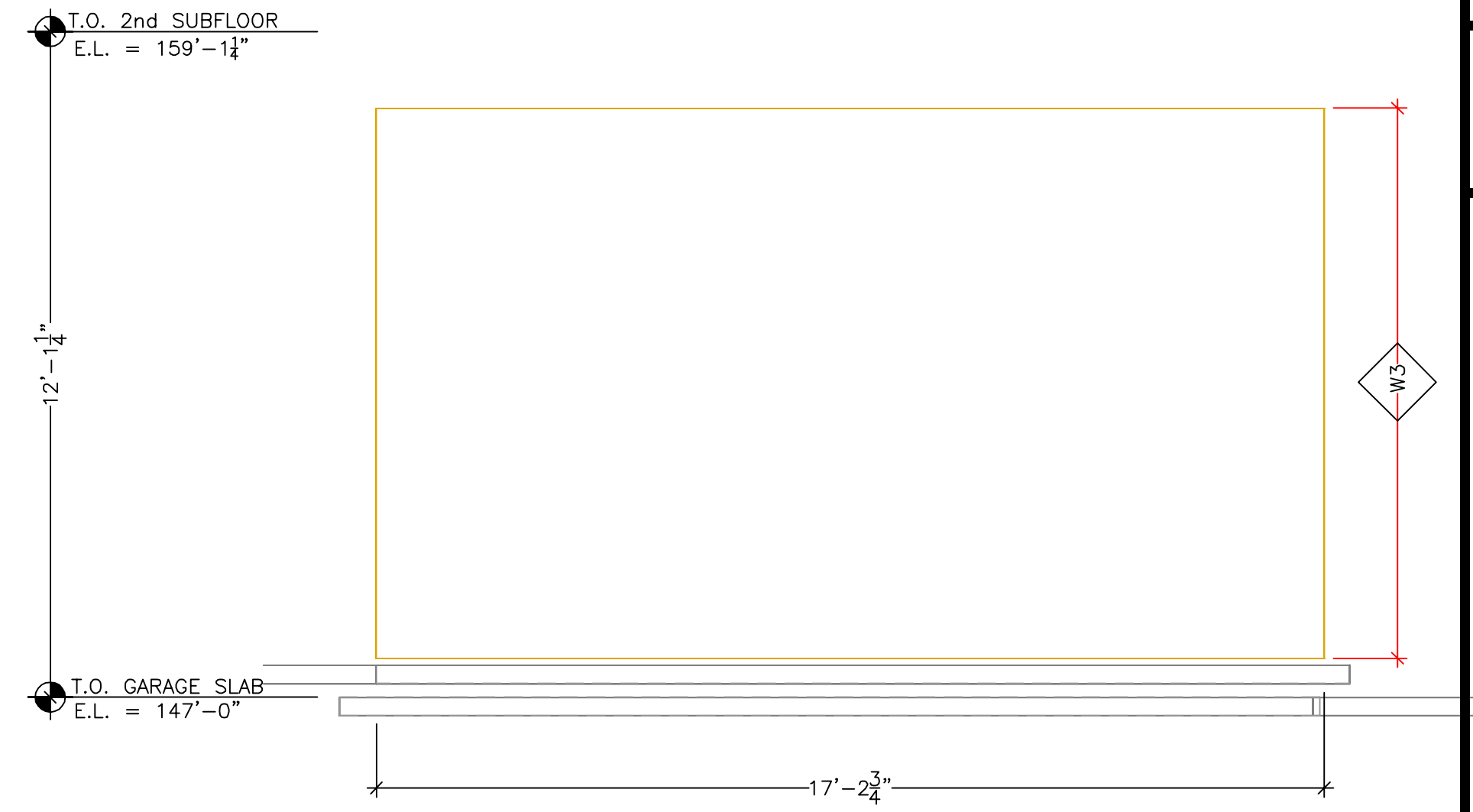
© 2017
 THIS DRAWING IS THE SOLE & EXCLUSIVE
 PROPERTY OF FOARD PANEL, INC. &
 MAY NOT BE REPRODUCED OR PUBLISHED
 IN ANY MANNER WHATSOEVER WITHOUT THE
 EXPRESSED WRITTEN CONSENT OF THE
 FOARD PANEL, INC.

sts
 STRUCTURAL ENGINEERS
 SELLERS TREYBAL
 SELLERS TREYBAL STRUCTURAL ENGINEERS PC
 65 Huntington Rd. Suite 201
 Richmond, VT 05477
 802.497.1174 | www.STS-Engineers.com

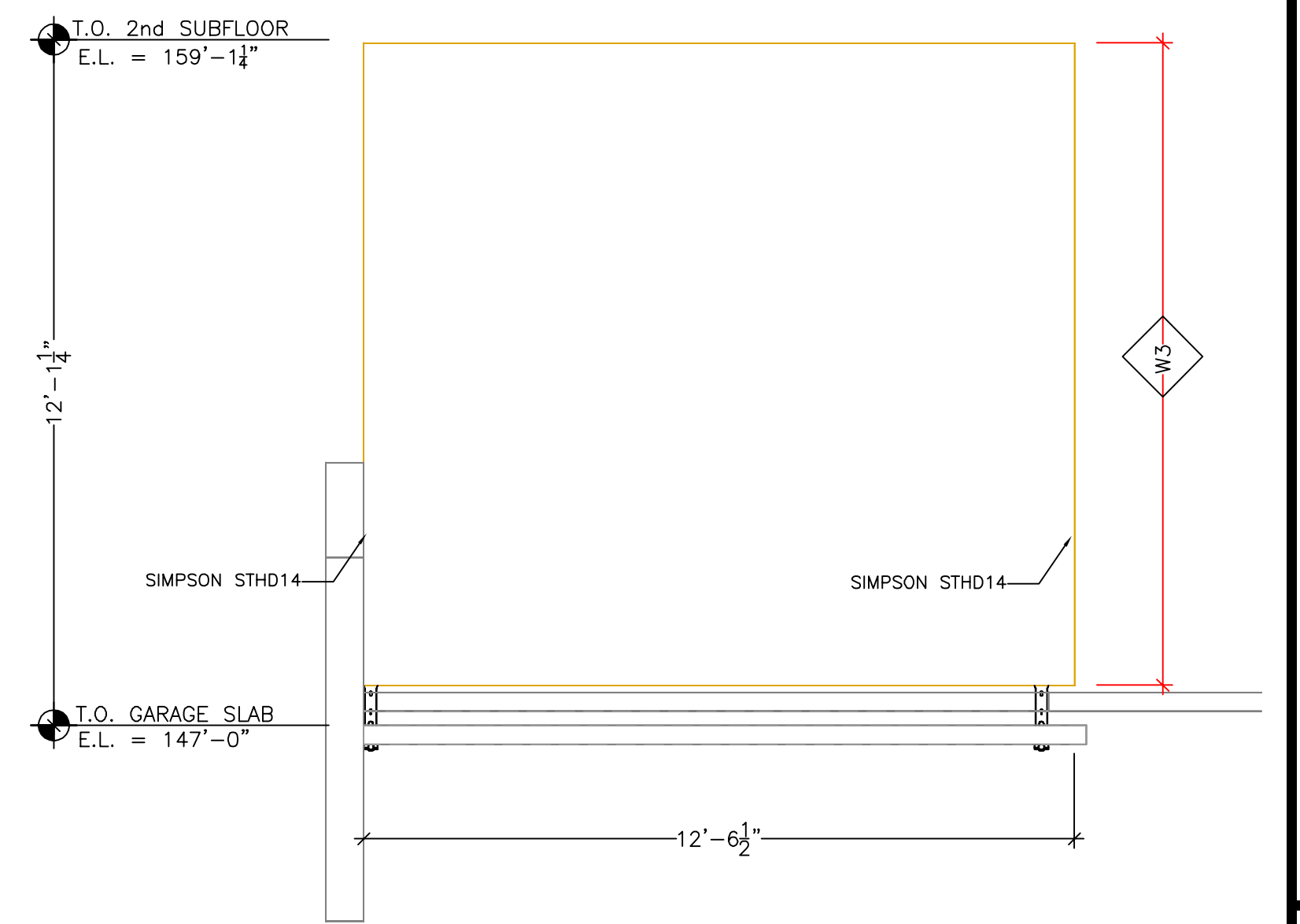


STUD FRAMED SHEAR WALL
 SCALE: 3/8" = 1'-0" (15)

MARK	STUD	SHEATHING		SHEATHING FASTENING		BLOCKING REQ'D AT ALL PANEL EDGES	BOTTOM PLATE FASTENING TO FRAMING BELOW (U.N.O.)	
		ONE OR THICKNESS BOTH SIDES OF WALL	TYPE	FASTENER	PANEL EDGES			PANEL FIELD
W1	2x4 @ 16"o.c.	1/2"	ONE SIDE	APA RATED	0.131" x 2 1/2" NAILS	6"o.c. 12"o.c.	YES	0.162"x 3/4"NAILS @ 8"o.c.
W2	2x6 @ 16"o.c.	1/2"	ONE SIDE	APA RATED	0.131" x 2 1/2" NAILS	6"o.c. 12"o.c.	YES	0.162"x 3/4"NAILS @ 8"o.c.
W3	2x6 @ 16"o.c.	1/2"	ONE SIDE	APA RATED	0.131" x 2 1/2" NAILS	3"o.c. 12"o.c.	YES	0.162"x 3/4"NAILS @ 4"o.c.
W4	2x6 @ 16"o.c.	1/2"	BOTH SIDES	APA RATED	0.131" x 2 1/2" NAILS	4"o.c. 12"o.c.	YES	0.162"x 3/4"NAILS @ 4"o.c.



STUD FRAMED SHEAR WALL 16
 SCALE: 3/8" = 1'-0" (16)



STUD FRAMED SHEAR WALL: 17
 SCALE: 3/8" = 1'-0" (17)

TITLE: CLEMENTS-KING
 LOCATION: 48 MERRILL ST. PORTLAND ME
 DRAWING TITLE: PANEL LAYOUT DRAWINGS
 DRAWN BY: AEM JOB CONTACT: KEVIN @ FOARD PANEL
 CHECKED BY: DATE: JANUARY 17th, 2018

DRAWING NO.
 S-17
 SHEET NO.
 17 OF 25