

Security Addressable Signal Line Circuit GEMC-BSLC

FEATURES

- 1 to 252 Addressable points
- 1 to 126 Addressable device per SLC loop
- PIR, Dual Tech sensors, Glass Break, Input Modules
- Low current electronic sensors
- Up to 3000' of wire on SLC loop
- Class "A" or "B" wiring
- "Quick Enroll" feature to add points

DESCRIPTION

The **GEMC-BSLC** is the hardwired interface between Napco's Burglary *Signaling Line Circuit* (SLC) Points and compatible control panels. The system comprises a compatible GEMC-Series control panel, at least one GEMC-BSLC and one or more companion GEMC-BSLC Points. The Points may be space-protection devices, window/door sensors, relay outputs or other devices that report zone status and supervision information to the GEMC-BSLC. The GEMC-BSLC supports up to 126 SLC Points. A maximum of two (2) may be used on a GEMC-Series control panel for a maximum total of 252 SLC Points. The GEMC-BSLC module is mounted inside the control panel housing and connects to the control panel via a plug-in connector. The GEMC-BSLC module continuously monitors each burglary point, updating status as changes in status are detected and conveys this information to the control panel.

A total of four (4) SLC / RF Receiver modules can be added to the system. Modules 1 and 2 can be either GEMC-BSLC or GEMC-FW-SLC Fire modules (mounted within the control panel enclosure), or GEMC-RECV wireless RF receivers (wired to either the control panel Security bus or control panel Fire bus and mounted throughout the premises). Modules 3 and 4 cannot be GEMC-FW-SLC or GEMC-BSLC modules but can only be GEMC-RECV wireless RF receivers.



AGENCY LISTINGS

- UL365: Police Station Alarm Units
- UL609: Local Burglar Alarm Units and Systems
- UL1023: Household Burglar Alarm System Units
- UL1610: Central Station Burglar Alarm Units
- Security Industry Association (SIA) False Alarm Reduction Standard CP-01

COMPATIBLE BURG DEVICES

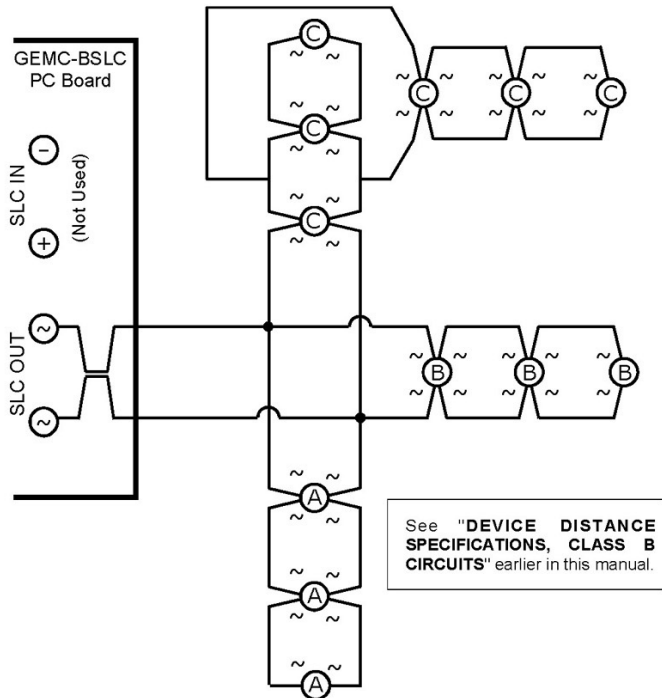
Any of the following Napco BURG points (devices) may be used with the GEMC-BSLC Module:

The following are Input devices:

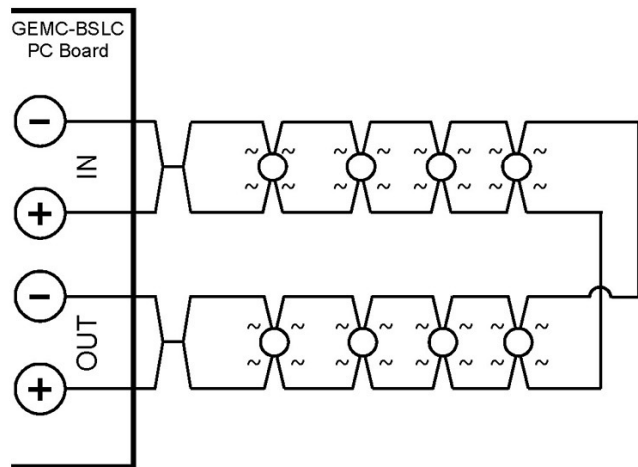
- **GEMC-BSLC-4PT** - Four-point Zone Expander Module provides terminals for normally-closed external contacts for 4 zones.
- **GEMC-BSLC-1PT** - Single-point Zone Expander Module provides terminals for normally-closed external contacts for a single zone.
- **GEMC-BSLC-PIR** - PIR Motion Sensor.
- **GEMC-BSLC-DT** - Dual-Technology PIR/Microwave sensor.

The following is an Output device:

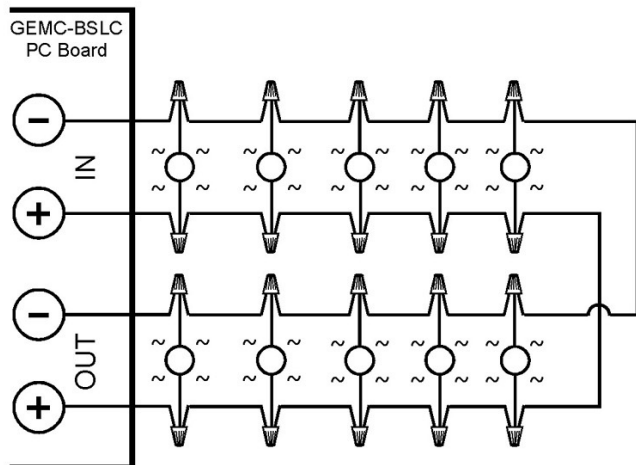
- **GEMC-BSLC-RLY** - Single-point relay module.



GEMC-BSLC Loop Class B wiring example



BSLC Loop Class A (4 point) wiring example
(IN and OUT GEMC-BSLC PC Board polarity observed)



BSLC Loop Class A (single-point) wiring example
(IN and OUT GEMC-BSLC PC Board polarity observed)

SPECIFICATIONS

Electrical Ratings

Input Power:

Power Requirements: 24VDC, 55mA (standby current) + device current (provided by GEMC Series control panel).

Maximum Total Combined 24V Input Current: 590mA.

Output Power: 16.5V, 500mA maximum.

Note: Refer to PCD-Windows Quickloader download software's calculation tools for 24V standby current calculation. GEMC-XXXMB total combined 24V auxiliary standby current must be reduced by GEMC-BSLC current.

Operating Temperature: 32° to 120°F (0° to 49°C)

DEVICE DISTANCE SPECIFICATIONS

CLASS B CIRCUITS ONLY

The GEMC-BSLC-1PT, GEMC-BSLC-4PT and GEMC-BSLC-RLY all have a maximum distance of 3000 feet using 16AWG wire for each loop home run; however, as the distance increases, fewer devices are allowed, as follows:

In addition, consideration must be given to the location of the devices on the loop. For example, when using 16AWG wire, the maximum number of devices between 0-1000 feet is 42 when there are 42 devices at 2000 feet and 42 devices at 3000 feet for each home run.

GEMC-BSLC-PIR and GEMC-BSLC-DT are equivalent to 9 devices (and have a maximum distance of 2000 feet per home run when using 16AWG wire). **Note:** The GEMC-BSLC-RLY is equivalent to 5 devices (and have a maximum distance of 3000 feet per home run when using 16AWG wire).

PHYSICAL

Dimensions W x D x H: 4.5" x 4" x 1"

ORDERING INFORMATION

GEMC-BSLC: Addressable SLC Burg Module, supports up to 128 addressable SLC Burg devices. Connects to the GEMC control panel (2 maximum).