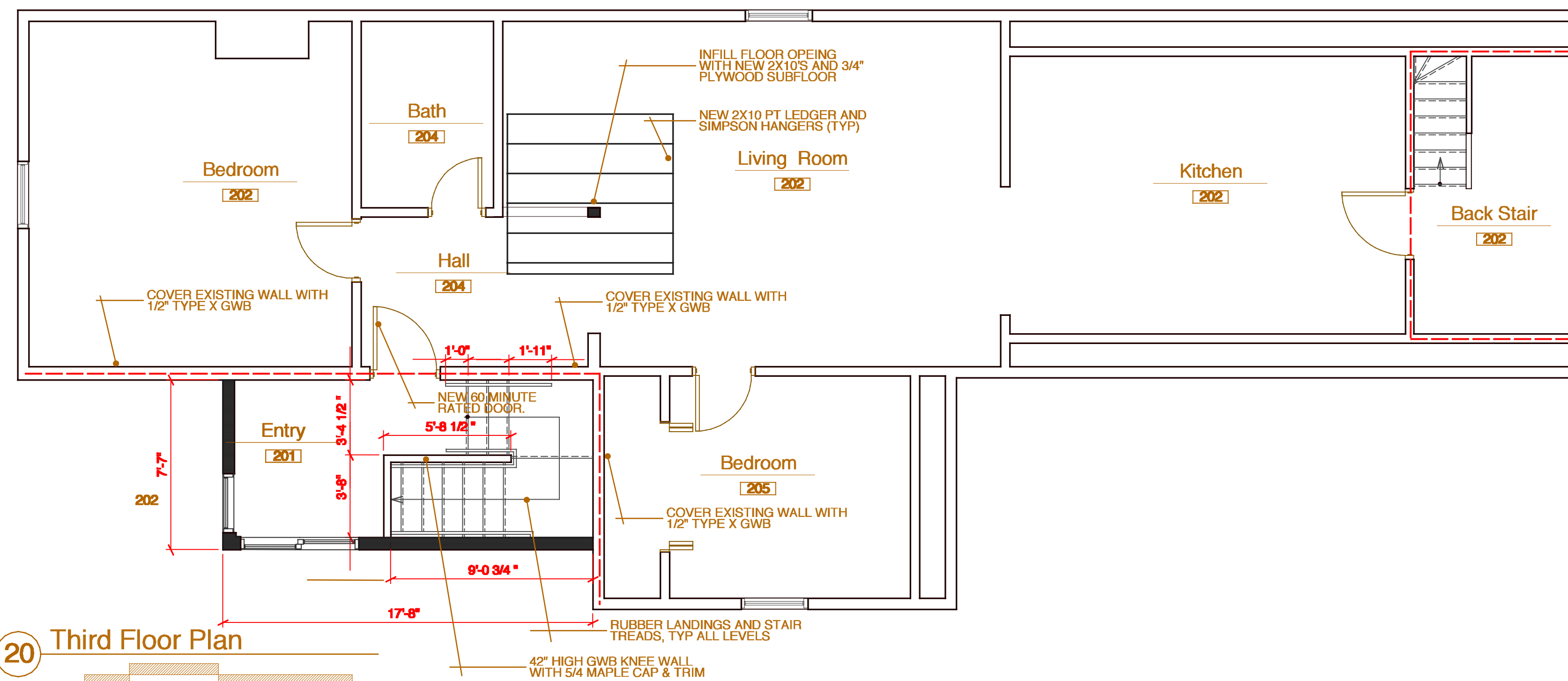
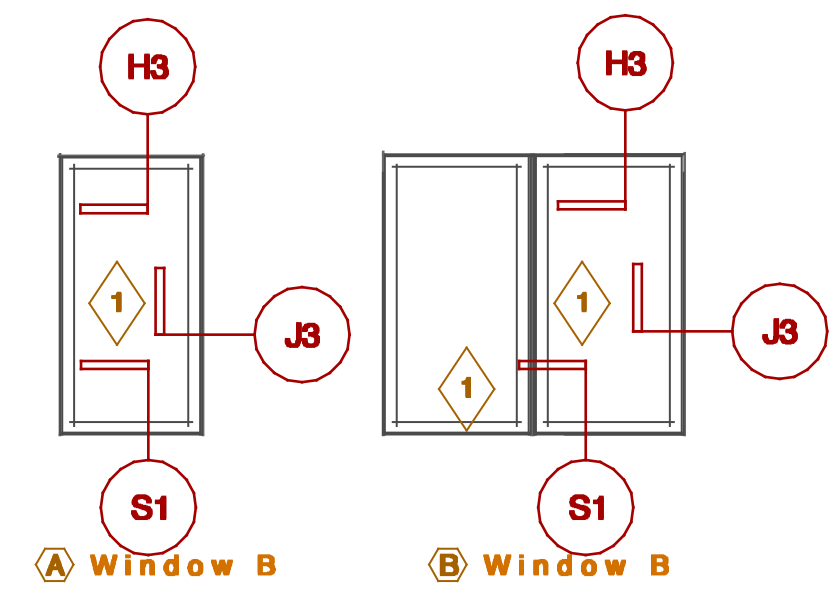


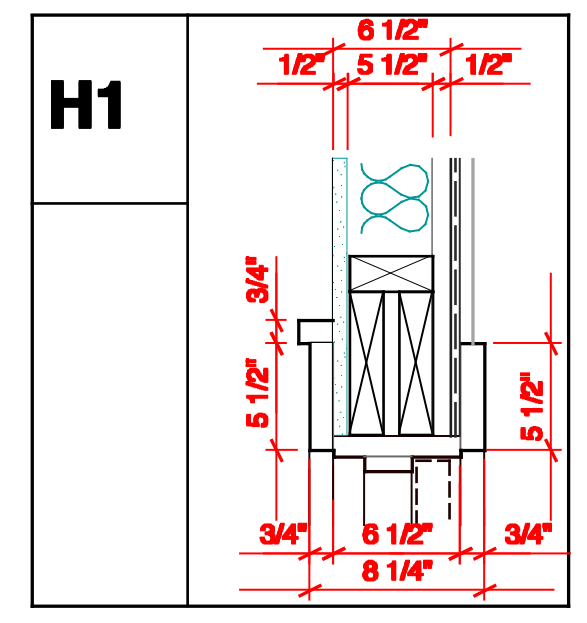
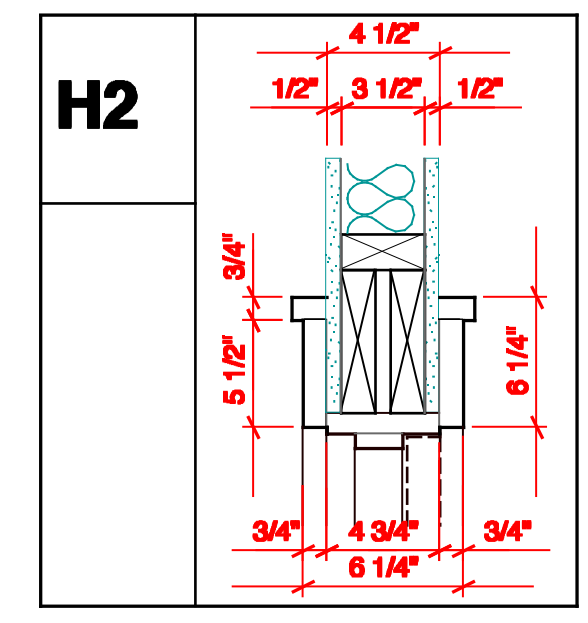
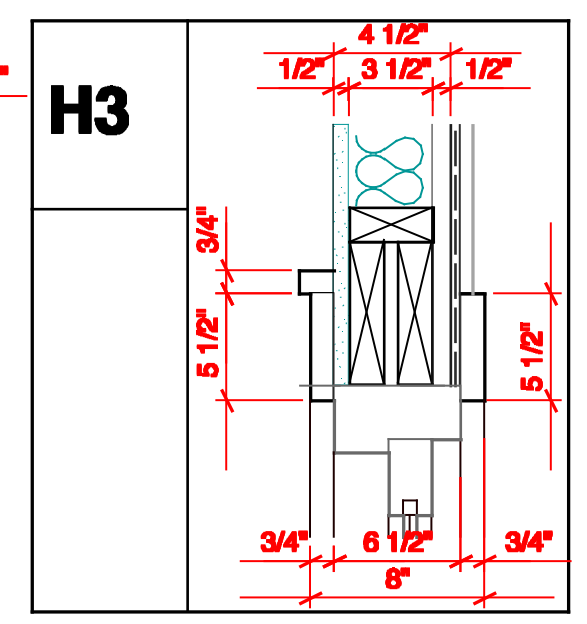
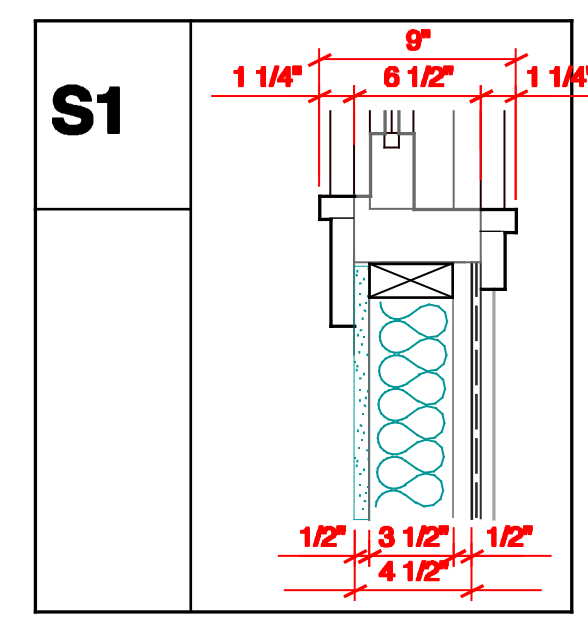
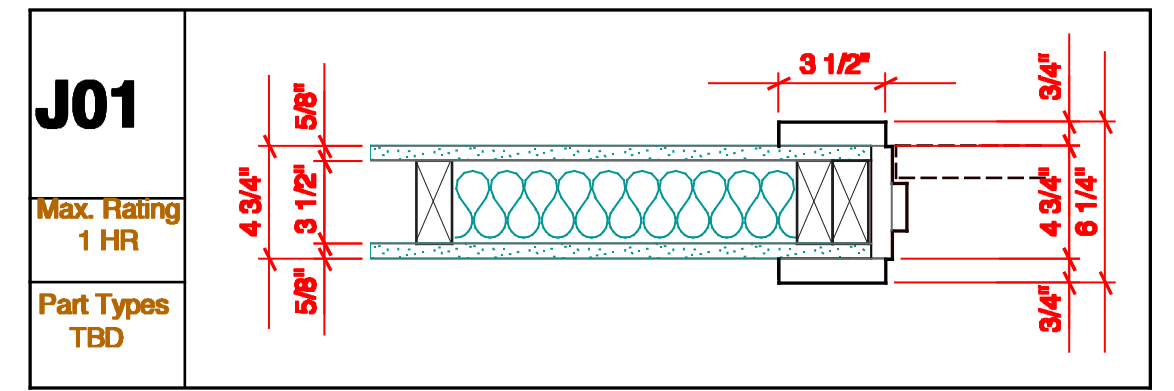
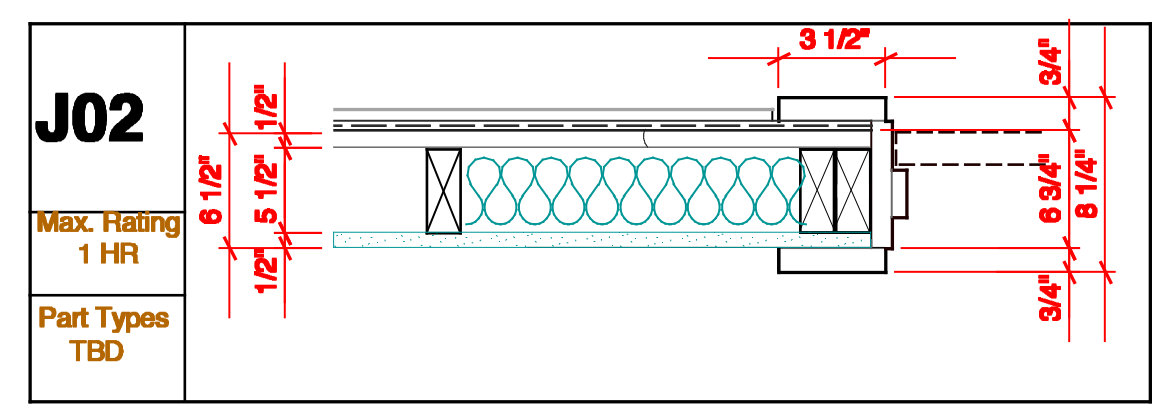
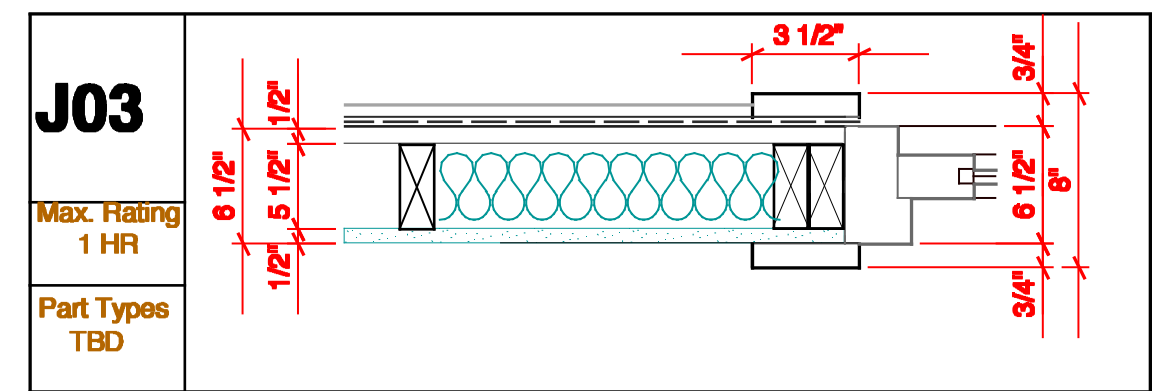
21 Partial Roof Plan



20 Third Floor Plan



Window Elevations



1. All doors in sound insulated partitions shall be sound gasketed, unless noted otherwise.
2. All frames in sound insulated partitions shall be sealed with acoustic sealant between the wall sheathing and the frame backband, unless noted otherwise.
3. Refer to jamb designation on Door Schedule for details, materials, and dimensions, typ.
4. Refer to Door Schedule for additional information.

|                                  |   |
|----------------------------------|---|
| <b>J1</b>                        | Jamb detail designation                   |
| Max. Rating<br>45 Minutes        | Maximum fire rating for opening           |
| Head Detail<br>D1, D3            | Head type references for this detail      |
| Part Types<br>306-309<br>301-304 | Partition type references for this detail |

- GLAZING LEGEND**
- ◊ Glazing Type One - Single Pane, Single Pane Storm Panel
  - ◊ Glazing Type Two - Single Tempered Pane, Plexiglass Panel
  - ◊ Glazing Type Three - Laminated Glass, Tempered Glass Storm Panel
  - ◊ Glazing Type Four - Tempered Glass

**Frame / Door Notes**

**Window Schedule**

| Window # | Window Type   | Manu. # | Quant. | Jamb Width   | Rough Opening     | Remarks   |
|----------|---|---------|--------|--------------|-------------------|---|
| A        | Alum clad wood fixed fire rated glass                         | TBD     | 2      | 4 1/2" (VIF) | 5'-6" x 2'-8" VIF | Window Elev. A, glaze w/ Insulated Low-E glass, pine interior finish, cladding color by Owner, PV trim, sat. nickel hrdwr.          |
| B        | Alum clad wood double sliding casement - factory mullied unit | TBD     | 3      | 4 1/2" (VIF) | 5'-8" x 5'-4" VIF | Window Elev. B, glaze w/ Insulated Low-E glass, screens, pine interior finish, cladding color by Owner, PV trim, sat. nickel hrdwr. |
|          |   |         |        |              |                   |   |
|          |   |         |        |              |                   |   |

| Revisions                 | date     |
|---------------------------|----------|
| Revisions per code review | 07/24/17 |
| Revisions per code review | 07/24/17 |

